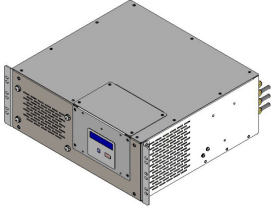


MT050C



DryLine® Dehydrator, Low-pressure membrane, 19 in rack mountable, Wall mountable, 3.0 psig (2-6 adjustable), with summary and discrete alarms, 115/230 Vac, 50/60 Hz

- See related products for dc options, sold separately

Product Classification

Product Type	Dehydrator
Product Brand	DryLine®

General Specifications

Alarm Type	Discrete Summary
Circuit Breaker Requirement	Electrical connections require separate circuits for dehydrator installation
Dehydrator Type	Automatic Membrane
Dew Point	Better than -45 °C (-50 °F) at 95% RH at +40 °C (+104 °F)
Excess-Run Alarm	10 minutes, factory set
Flow Rate, nominal	3.4 SLPM
High-Humidity Alarm	7.5% RH, factory set
Low-Pressure Alarm	68 mbar 7 kPa 1 psig
Mounting	Bench Floor Rack Wall
Port Count	4
Port Type	3/8 in PE tube
Power Cord	Europe power cord with stripped leads USA power cord
Power-Fail Alarm	Loss of input power
Rack Type	EIA 19 in ETSI N3 (optional)
Rack Units	4
Regulated Output Pressure Type	Factory set
Regulated Output Pressure, maximum	41.4 kPa 6.005 psig
Regulated Output Pressure, minimum	14 kPa 2.031 psig

Dimensions

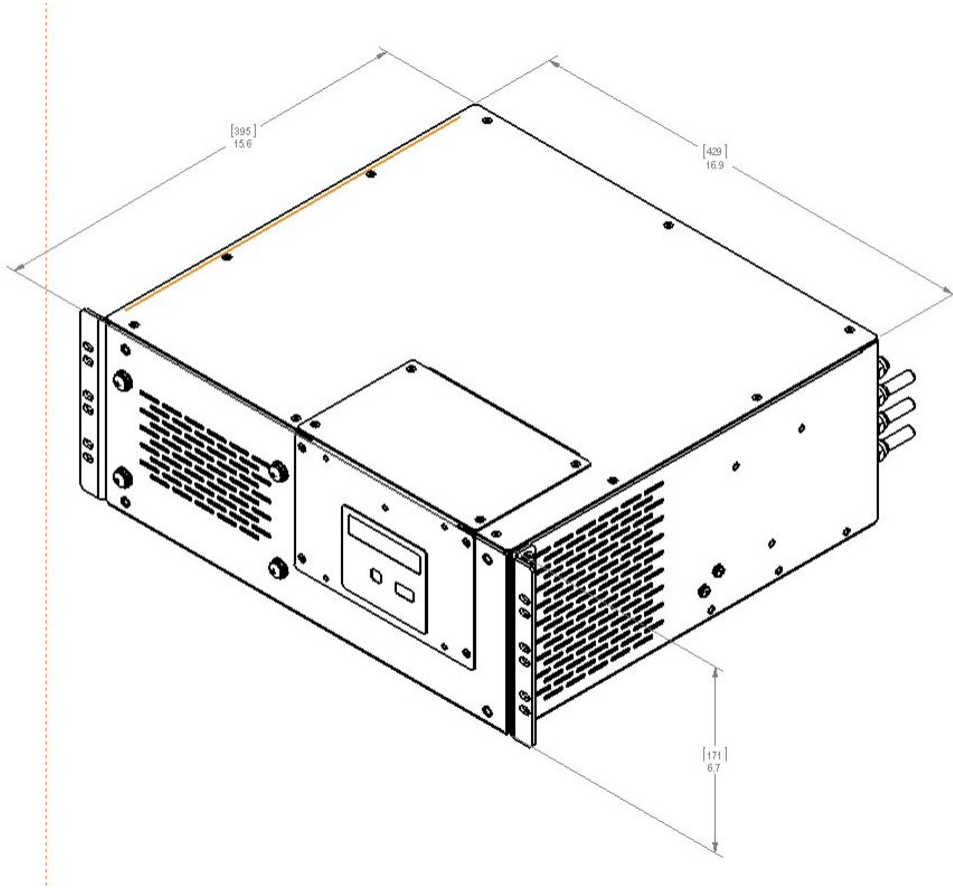
Product Height	172.7 mm 6.799 in
-----------------------	---------------------

MT050C

Product Width	439.4 mm 17.299 in
Product Depth	419.1 mm 16.5 in
Volume Capacity, maximum	1.699 m ³ 60 ft ³
Volume Capacity, minimum	0 m ³ 0 ft ³

MT050C

Outline Drawing–Section



Electrical Specifications

Alarm Contact Rating	Form C dry contacts, 2 amps at 30 Vdc
Power Consumption, at runtime	220 W
Power Consumption, average	6.6 W
Power Consumption, maximum	220 W
Power Consumption, minimum	0.2 W
Power Frequency	60/50 Hz
Power Phase	Single
Suggested Circuit Breaker Size	15 A
Voltage	115/230 Vac \pm 10%, selectable
Voltage Type	ac

MT050C

Environmental Specifications

Operating Temperature -10 °C to +50 °C (+14 °F to +122 °F)

Packaging and Weights

Height, packed 312.4 mm | 12.299 in

Width, packed 502.9 mm | 19.799 in

Depth, packed 541 mm | 21.299 in

Included 3/8 in polyethylene tubing | 90° elbow fitting | Instruction sheet | Male connector fitting | Needle valve | PTFE tape | Power cord

Weight, gross 23 kg | 50.706 lb

Weight, net 20 kg | 44.092 lb

Regulatory Compliance/Certifications

Agency	Classification
CHINA-ROHS	Above maximum concentration value
ISO 9001:2015	Designed, manufactured and/or distributed under this quality management system
REACH-SVHC	Compliant as per SVHC revision on www.commscope.com/ProductCompliance
ROHS	Compliant/Exempted
UK-ROHS	Compliant/Exempted

