



VST Weatherproofing Gel Sealed Termination Boot for F connectors

- Provides long-term corrosion-resistant and gel-based sealing of an F-connector exposed to the outside environment
- One-step installation by placing the VST around the F-connector and clicking the housing together
- Can be reopened and reused at least twenty times, which permits verification, removing and reconnection of the F-connector

Product Classification

Regional Availability	EMEA Latin America North America
Product Type	Weatherproofing boot

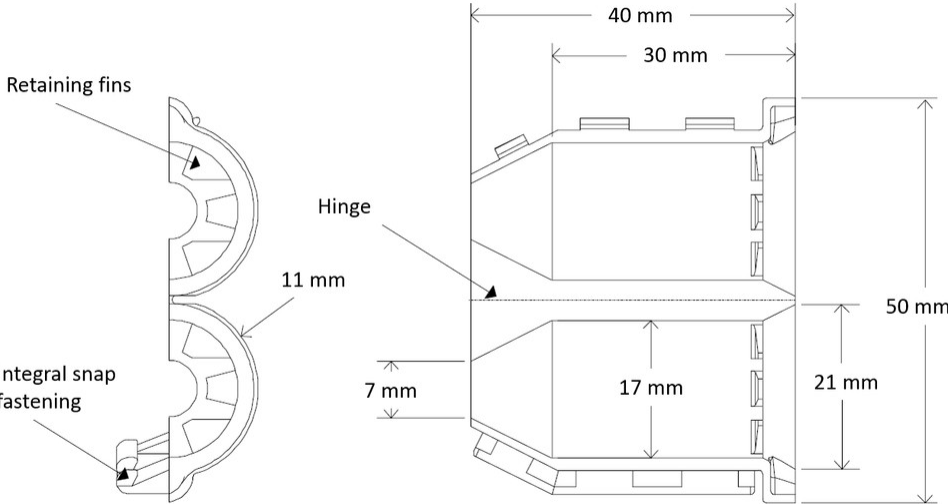
General Specifications

Application	Provides additional moisture seal for cable connections
Color	Black

Dimensions

Width	21 mm 0.827 in
Length	40 mm 1.575 in
Cable Diameter for Seal, maximum	7 mm 0.276 in
Cable Diameter for Seal, minimum	4 mm 0.157 in
Inner Diameter	11 mm 0.433 in

Outline Drawing



Material Specifications

Material Type Engineered plastic

Environmental Specifications

Operating Temperature -30 °C to +60 °C (-22 °F to +140 °F)

Packaging and Weights

Packaging quantity 1