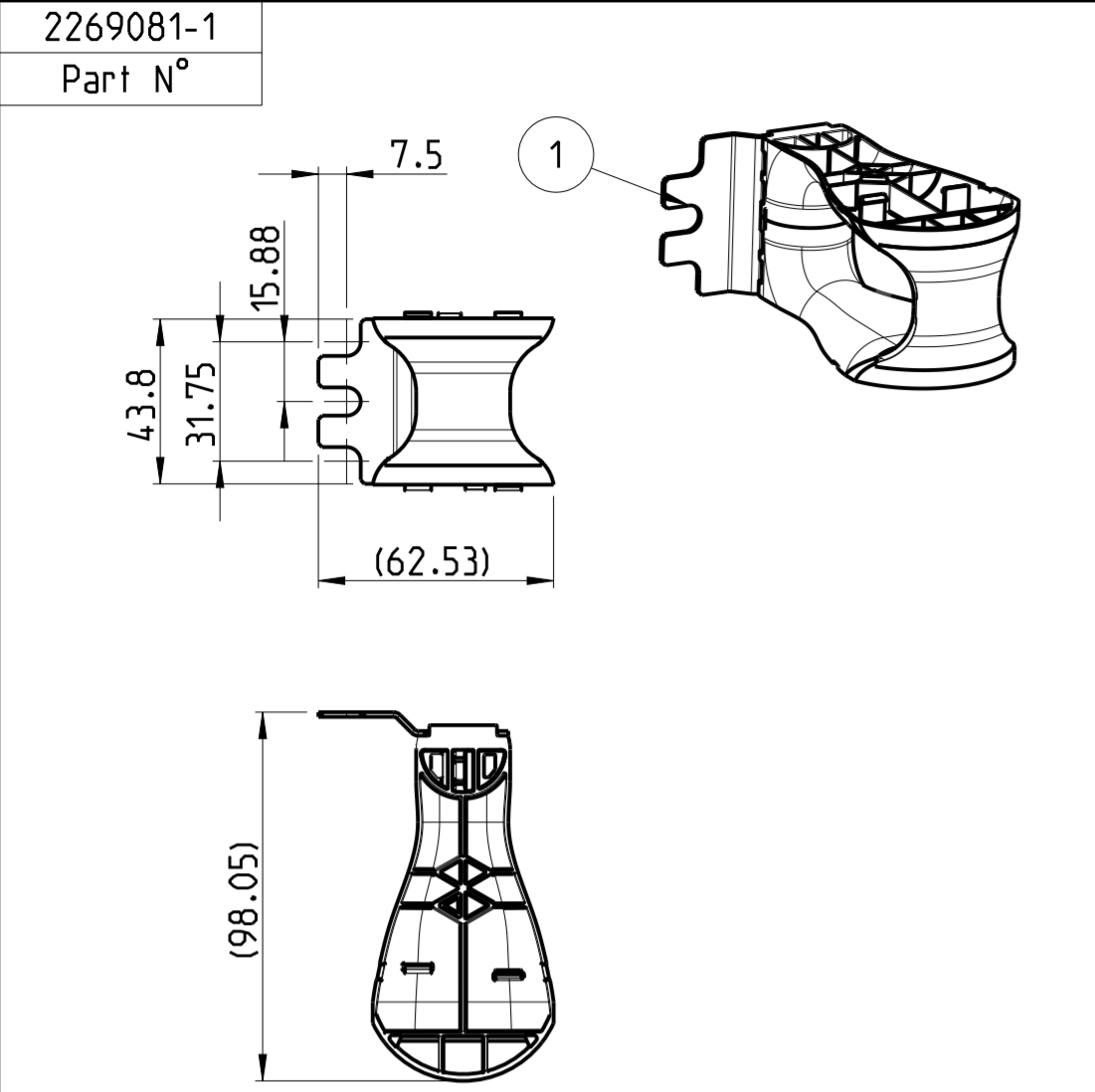
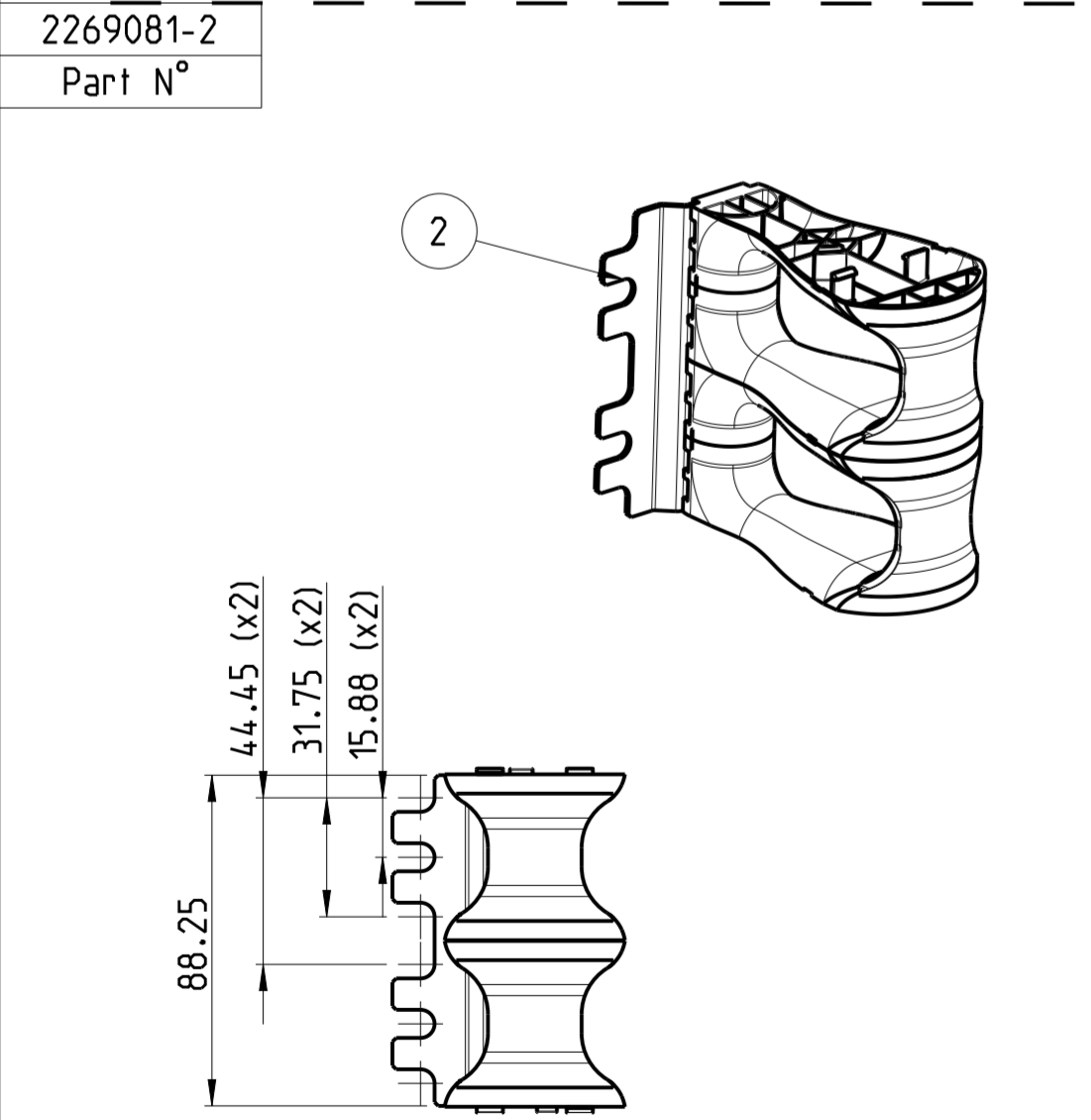


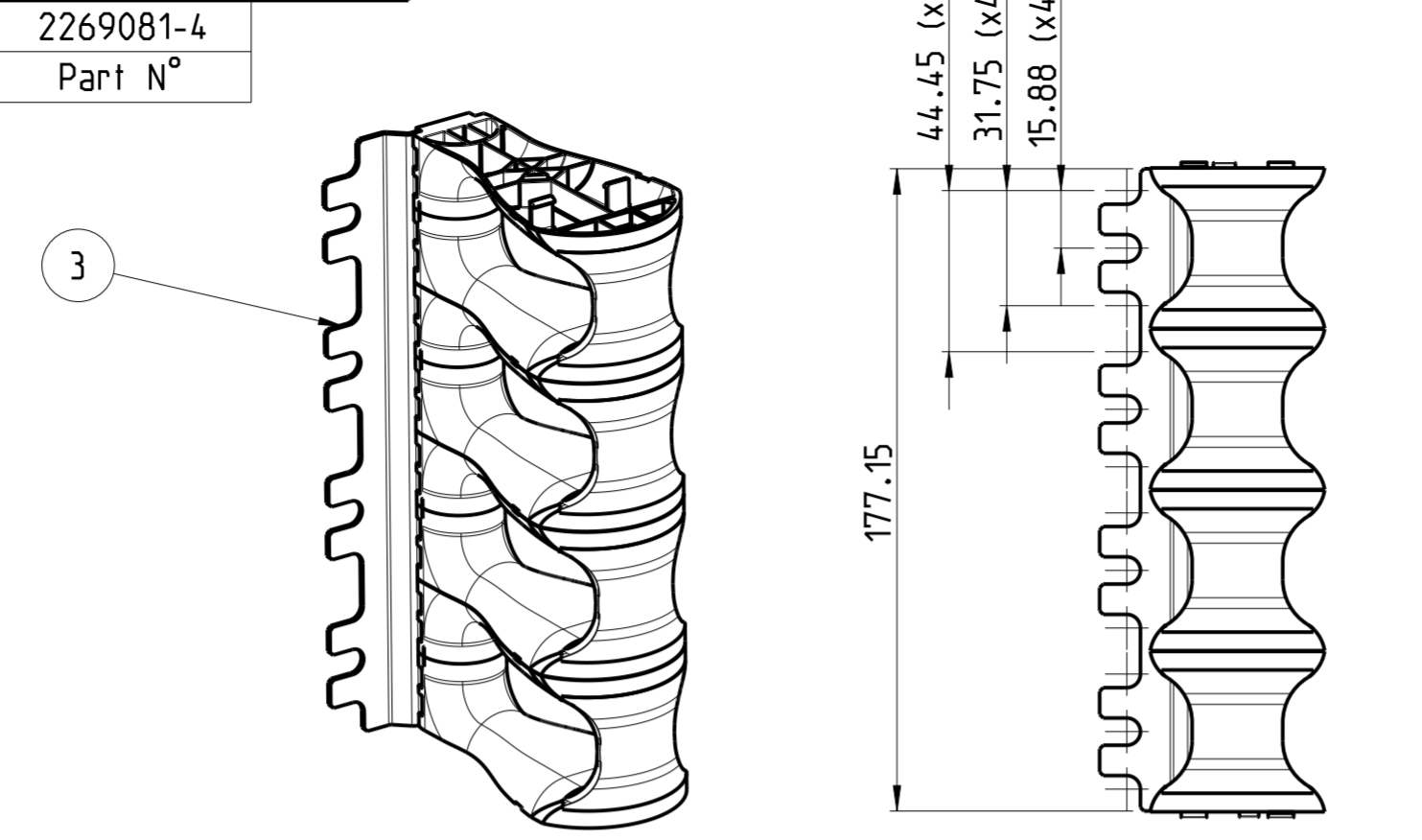
THIS DRAWING IS UNPUBLISHED. RELEASED FOR PUBLICATION
 © 2016 COMMScope, INC. CONFIDENTIAL NOTICE: THESE DRAWINGS AND SPECIFICATIONS ARE THE PROPRIETARY PROPERTY OF COMMScope, INC. AND MAY BE USED ONLY FOR THE SPECIFIC PURPOSE AUTHORIZED IN WRITING BY COMMScope, INC.



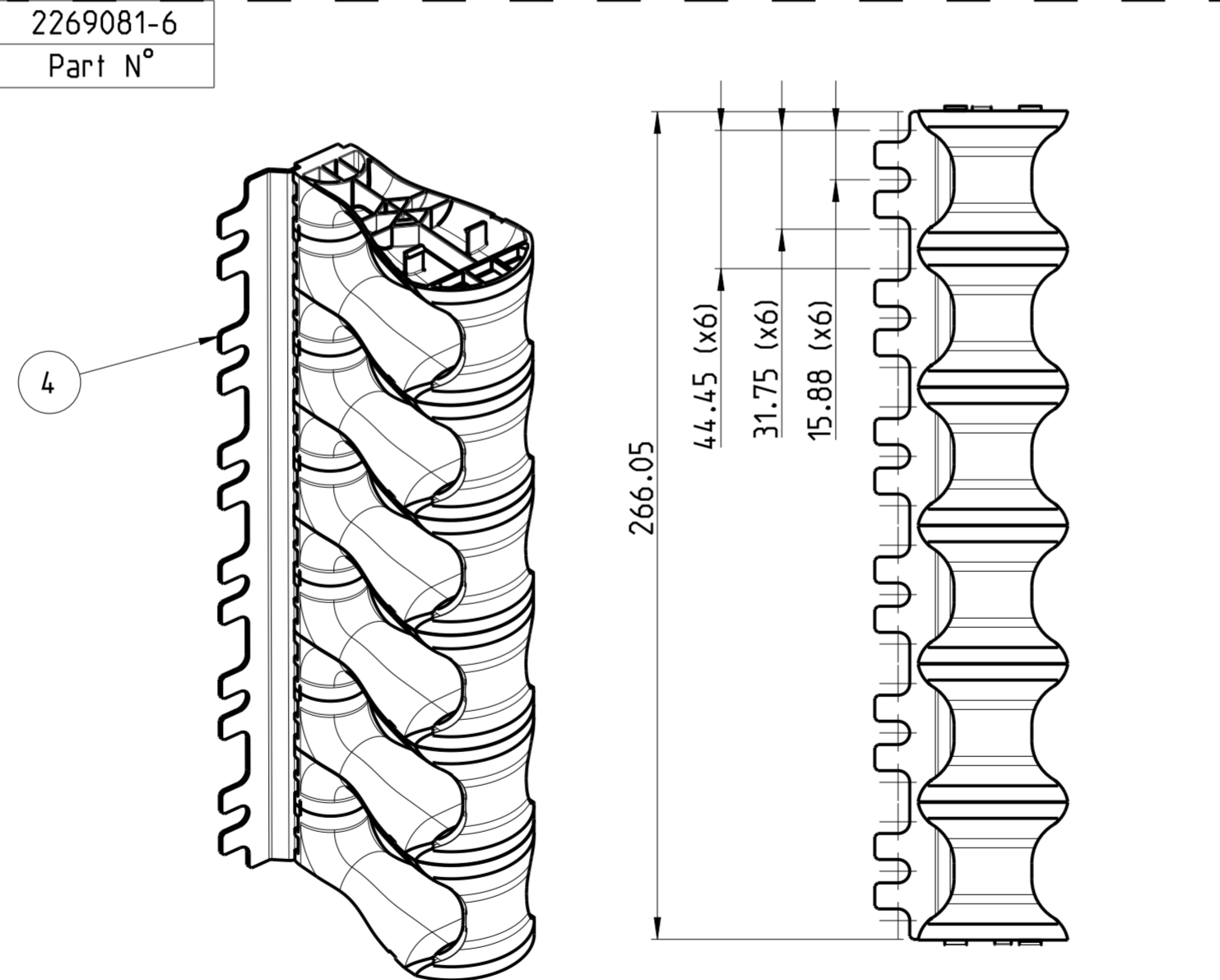
1	Att bracket CM for Cab 1U
1	HD FL CM - Shallow
QTY	ASSEMBLY OF ITEM 1



1	Att bracket CM for Cab 2U
2	HD FL CM - Shallow
QTY	ASSEMBLY OF ITEM 2



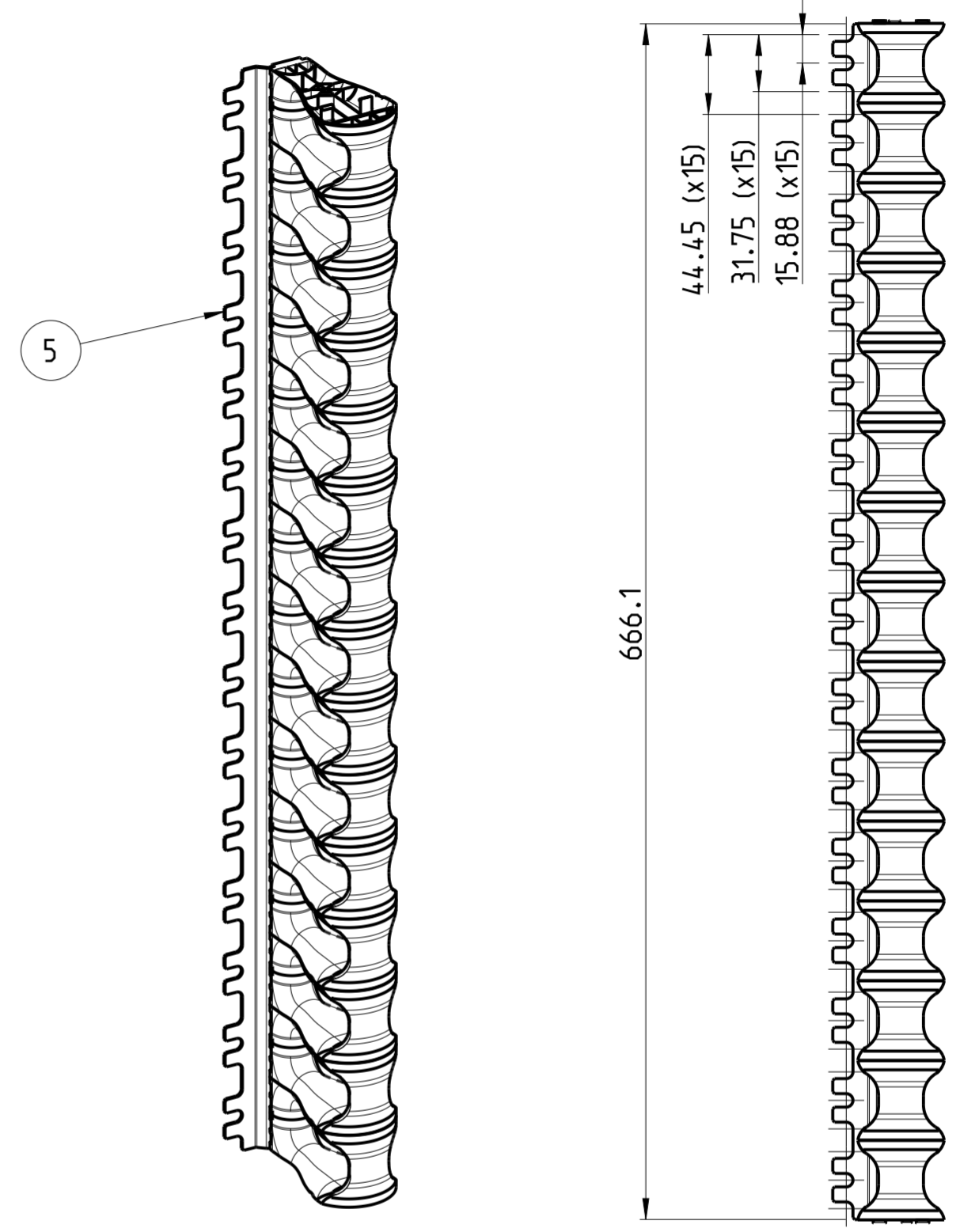
1	Att bracket CM for Cab 4U
4	HD FL CM - Shallow
QTY	ASSEMBLY OF ITEM 3



1	Att bracket CM for Cab 6U
6	HD FL CM - Shallow
QTY	ASSEMBLY OF ITEM 4

1-2269081-5
Part N°

REVISIONS				
P	LTR	DESCRIPTION	DATE	APVD
F		REV PER ECN 8000021150	17MAR2017	GG SJ



1	Att bracket CM for Cab 15U
15	HD FL CM - Shallow
QTY	ASSEMBLY OF ITEM 5

QTY	DESCRIPTION	ITEM
2	1-2269081-5 High-Density Front-loading CM - Shallow - 15U	5
4	2269081-6 High-Density Front-loading CM - Shallow - 6U	4
4	2269081-4 High-Density Front-loading CM - Shallow - 4U	3
8	2269081-2 High-Density Front-loading CM - Shallow - 2U	2
16	2269081-1 High-Density Front-loading CM - Shallow - 1U	1

THIS DRAWING IS A CONTROLLED DOCUMENT.		DWN W. DE VIS 03FEB2015	COMMScope, INC.	
DIMENSIONS: mm		CHK H. BLEUS 03FEB2015		NAME High-Density Front Loading Cable Manager Shallow with mounting bracket
TOLERANCES UNLESS OTHERWISE SPECIFIED:		APVD D. THUIS 03FEB2015		
0 PLC ±		PRODUCT SPEC		CAGE CODE -
1 PLC ±		APPLICATION SPEC	DRAWING NO C-2269081	
2 PLC ±		WEIGHT -	RESTRICTED TO -	
3 PLC ±		Customer Drawing	SCALE 3:10	
4 PLC ±			SHEET 1 OF 1	
ANGLES ±			REV F	
FINISH -				