

OTE2 Series, Optical Terminal Enclosure, 16-port full-size connector, 1x16 splitter, gray, wall mount

- Optical Terminal Enclosures incorporate hardened connector technology that is designed to withstand the rugged outside plant environment
- Offers a unique solution for splicing, termination and pass-through cable applications in optical drop cable deployments
- Hardened adapters are factory-terminated and environmentally sealed to ensure rapid plug-and-play drop cable installations
- The universal cable termination system guarantees easy, fast and reliable cable fixation and manipulations

Product Classification

Regional Availability	Asia Australia/New Zealand EMEA Latin America
Product Type	Access terminal, with splitter
Product Series	OTE

General Specifications

Application	Accepts fiber drop cables, 7 mm diameter Accepts fiber feeder cables, 10-16 mm diameter For holding up to 5 24-way splice trays Offers up to 16 hardened adapter ports Offers up to 4x4 standard cable ports
Cable Type	No cable (stubless)
Cable, quantity	0
Distribution Type	1 x 16 splitter
Enclosure Color	Gray
Mounting	Pole Wall
Port Type	Hardened full-size SC/APC
Port, quantity	16
Splice Tray Included, quantity	4
Splice Tray Type Included	24-way, heat shrink
Splitter, quantity	1
Stub Type	No tail

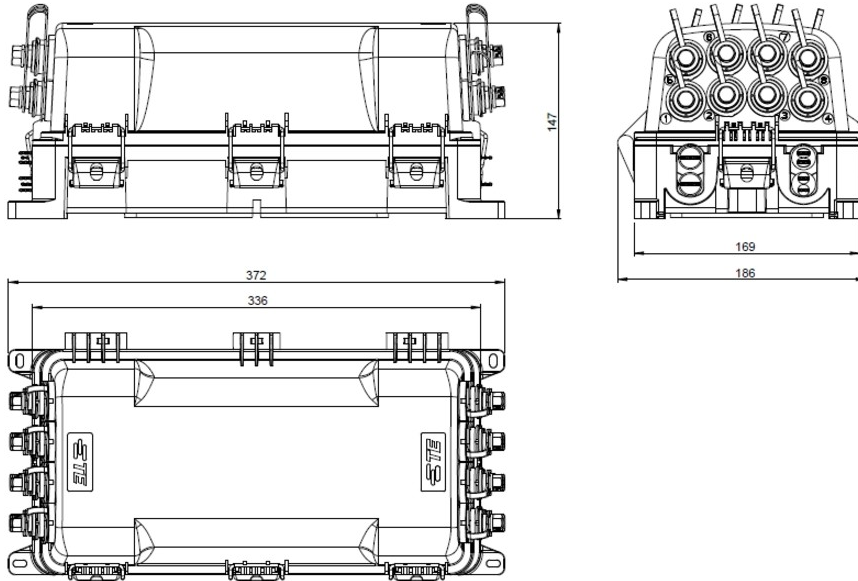
Dimensions

Height	147 mm 5.787 in
---------------	-------------------

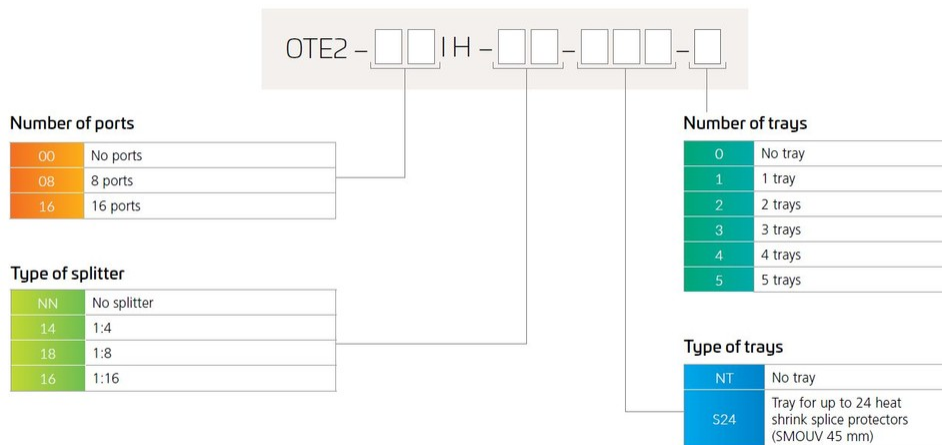
760245262 | OTE2-16IH-1G-S24-4

Width	372 mm 14.646 in
Depth	186 mm 7.323 in
Cable Length, stub	0 ft (0 m)

Dimension Drawing



Ordering Tree



Material Specifications

Enclosure Material Type

Glass filled polypropylene (GF-PP)

Optical Specifications

Operating Wavelength Range	1260 – 1635 nm
Attenuation Splitter, maximum	13.7 dB
Attenuation Terminal Connectors, maximum	0.4 dB
Directivity, minimum	60 dB
Insertion Loss, Splitter, typical	13.1 dB
Insertion Loss, Terminal Connector, typical	0.16 dB
Return Loss, Connector, minimum	65 dB
Return Loss, Single Ports, minimum	55 dB

Environmental Specifications

Operating Temperature	-40 °C to +65 °C (-40 °F to +149 °F)
Relative Humidity	5%–100%, condensing
Environmental Space	Above ground Below ground Buried
Qualification Standards	IEC 60529, IP65
UV Resistance	UV stabilized

Packaging and Weights

Included	Cable fixation kit (5) Cable seal kit (4) Enclosure (1) Optical splitter (1) Splice cassette (4) Wall fixation screws (4)
Packaging quantity	1
Packaging Type	Box Carton

Regulatory Compliance/Certifications

Agency	Classification
CHINA-ROHS	Above maximum concentration value
ISO 9001:2015	Designed, manufactured and/or distributed under this quality management system
ROHS	Compliant/Exempted
UK-ROHS	Compliant/Exempted

