



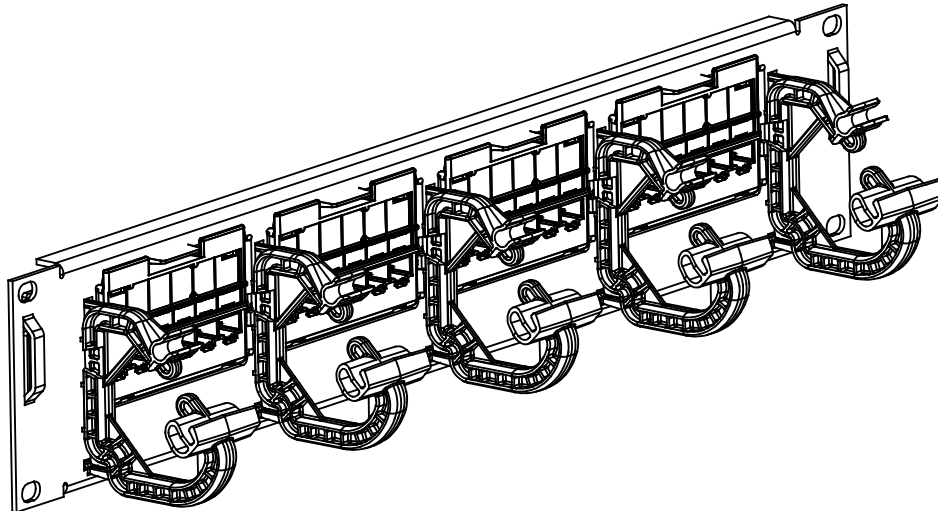
PATCHMAX® PowerSUM® Modular Panel Instructions

General

The **SYSTIMAX® PATCHMAX® PowerSUM®** modular panel system is designed for premises high speed data networks and for voice. The panels use snap-in distribution modules, each with six modular jacks. Wire terminations can be performed from the front or rear of the frame. The panel can be used for EIA-T568A or EIA-T568B wiring applications.

Ordering information is listed below:

Material ID	Product Number	Description
108320029	PM2150PSE-24	24-port panel kit
108320045	PM2150PSE-48	48-port panel kit



SYSTIMAX PATCHMAX PowerSUM 24-Port Panel

How to Contact Us

- To find out more about **CommScope®** products, visit us on the web at <http://www.commscope.com/>
- For technical assistance:
 - Within the United States, contact your local account representative or technical support at 1-800-344-0223. Outside the United States, contact your local account representative or Authorized Business Partner.
 - Within the United States, report any missing/damaged parts or any other issues to CommScope Customer Claims at 1-866-539-2795. Outside the United States, contact your local account representative or Authorized Business Partner.



Specifications

Wire Termination

Wire Size:

- 22-26 AWG (0.64 - 0.40mm) Solid Copper
- 22-26 AWG (0.64 - 0.40mm) Seven Stranded Copper

Insulation Size:

0.050-inch (1.27mm) maximum DOD

Insulation Types:

Polyethylene, Polypropylene, and FEP

IDC Reterminations:

20 minimum

Modular Jack Mating Cycles:

750 minimum

Environmental Data

Temperature Range:

- 40°F (-40°C) to 158°F (70°C) (Storage)
- 14°F (-10°C) to 140°F (60°C) (Operational)

Humidity:

95% Noncondensing

Tools Required

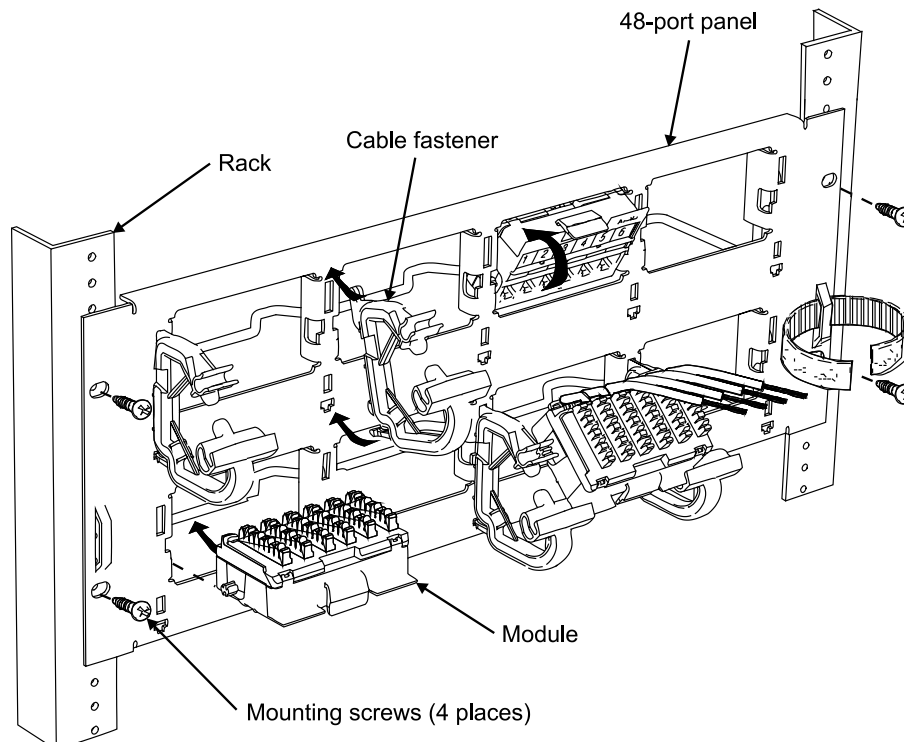
- Phillips head screwdriver
- Cable jacket scoring tool
- D-914 punch down tool with M110 blade

WARNING – Important Safety Instructions

When using this product, the following basic safety precautions should be followed to reduce the risk of fire, electric shock, and injury to persons:

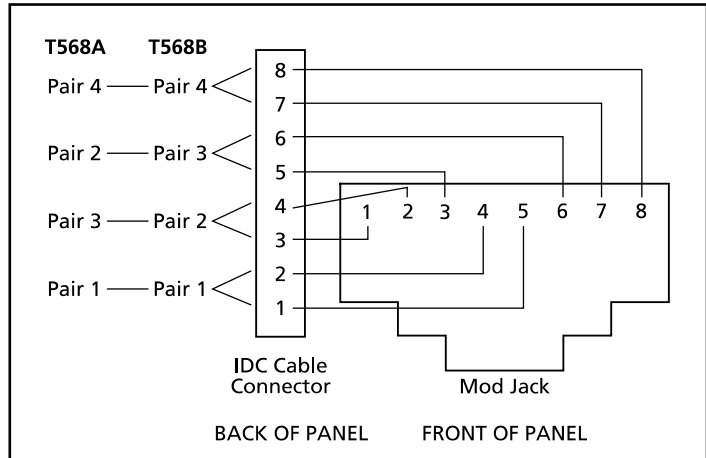
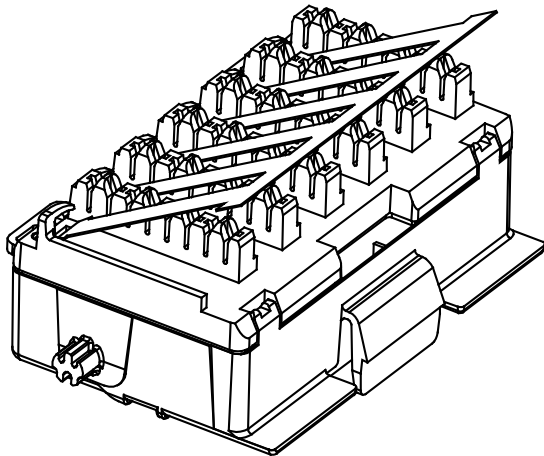
1. Never install communications wiring in wet locations unless it is designed for wet locations.
2. Never install this product during a lightning storm. There is a remote risk of electric shock.
3. Never touch uninsulated communication wiring or terminals unless the communication circuit has been disconnected at the network interface.
4. **Caution:** All wiring that connects to this equipment must meet applicable local and national building codes and network wiring standards for communication cable.

Mount Panel to 19-inch (483mm) Rack



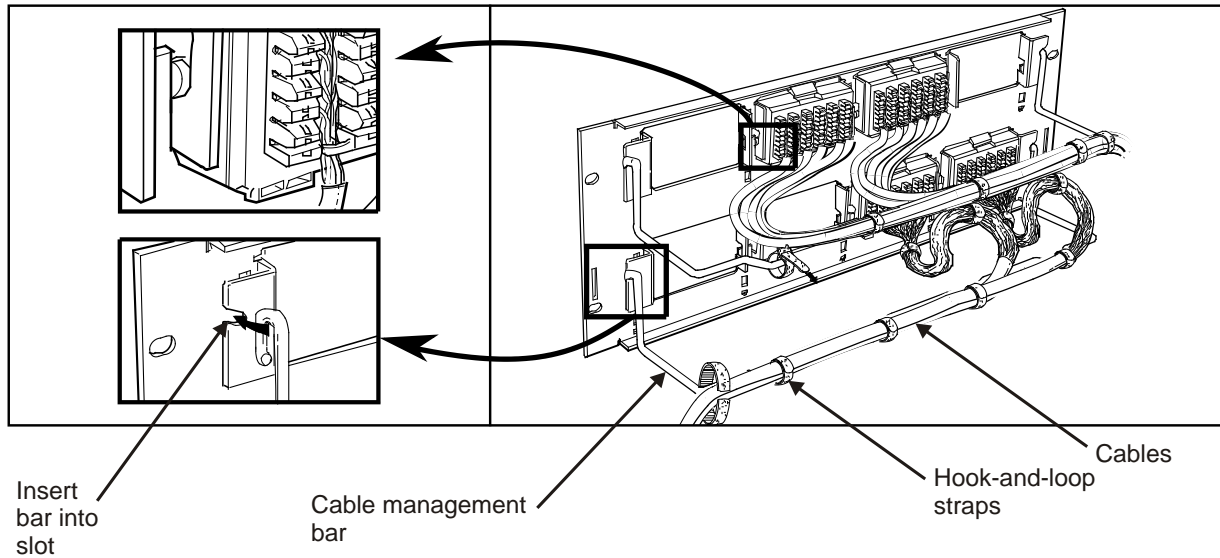
1. Using the four screws provided, secure panel to 19-inch (483mm) rack as shown.
2. Insert tabs of cable fasteners into slots in panel and push down to secure in place.
3. Insert modules into panel openings as shown and rotate top of modules upward to snap into panel opening.

Terminate and Seat Conductors

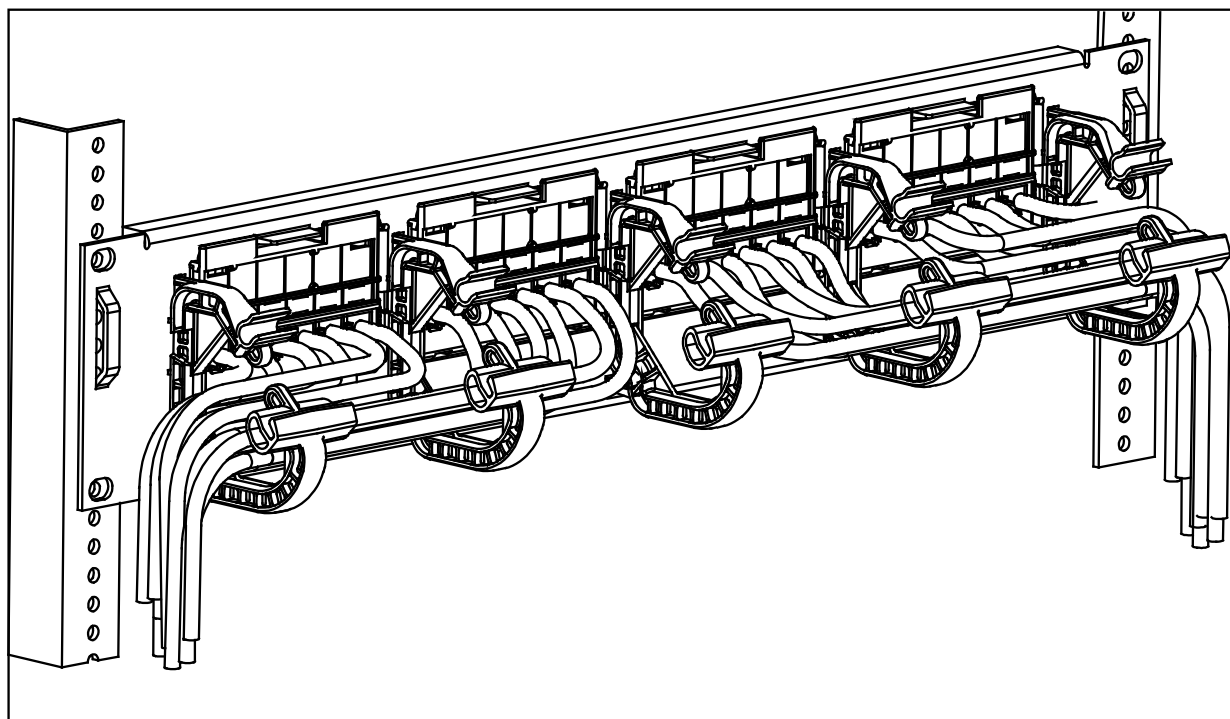


1. Insert "T568B" or "T568A" port designation labels to module as shown prior to wiring panel.
2. Terminate conductors per the diagram shown above.

Install Cable Management Bar to Panel and Route Cables

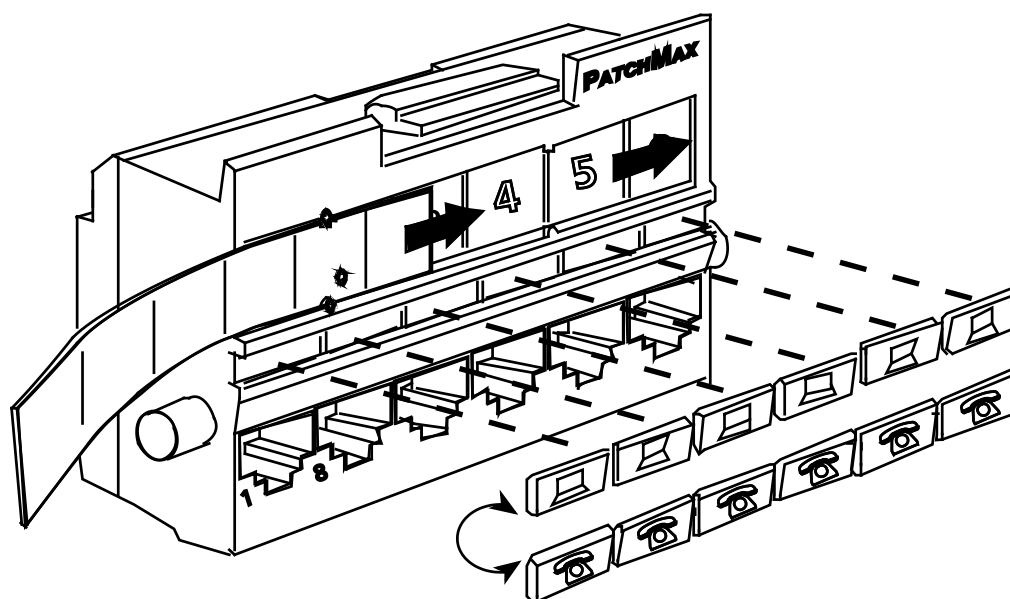


1. Insert cable management bar into slots in panel as shown.
2. Route cables as shown and secure to management bar using hook-and-loop straps provided.



The recommended routing for optimal patch cord management is shown above

Install Labels



1. Install port designation labels to front of modules as shown above.