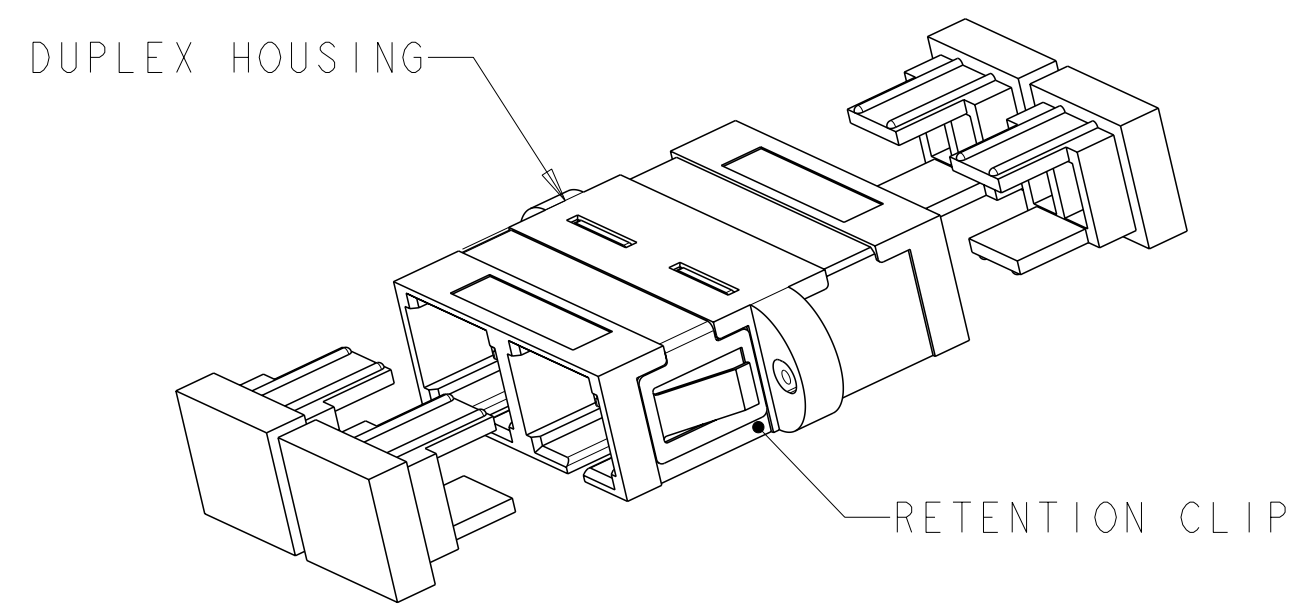
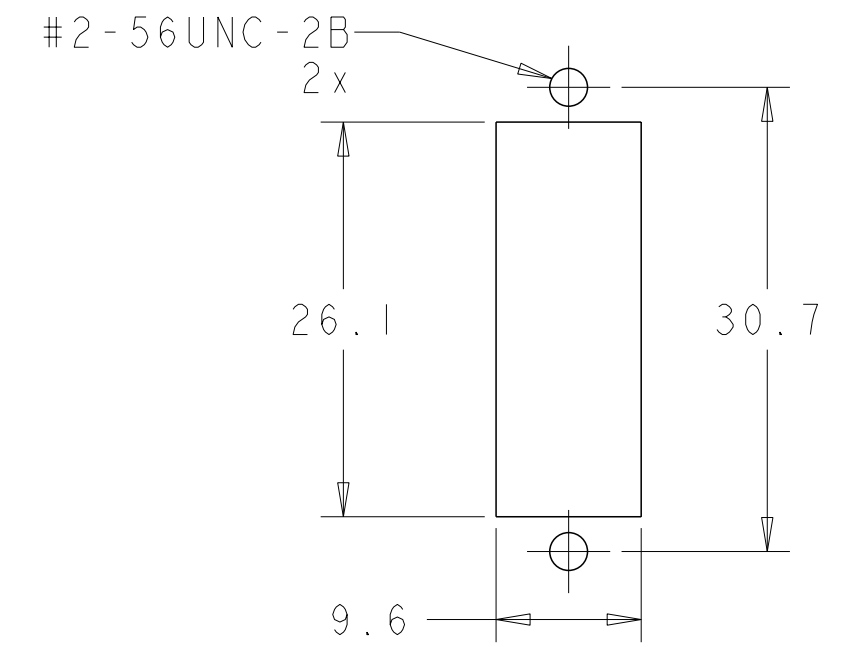
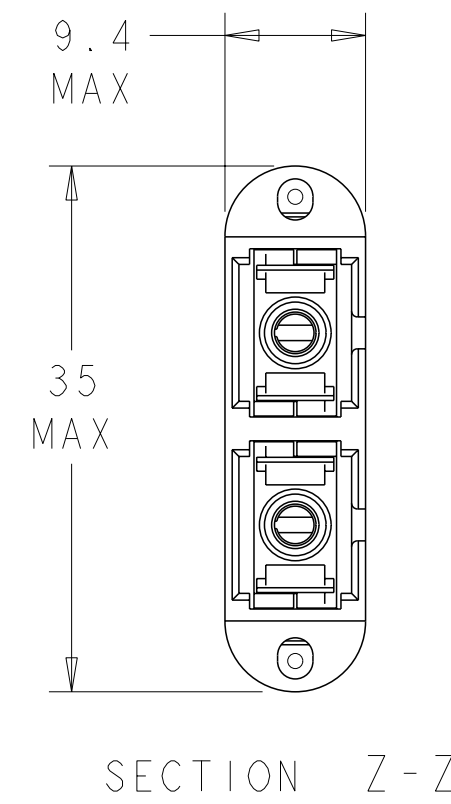
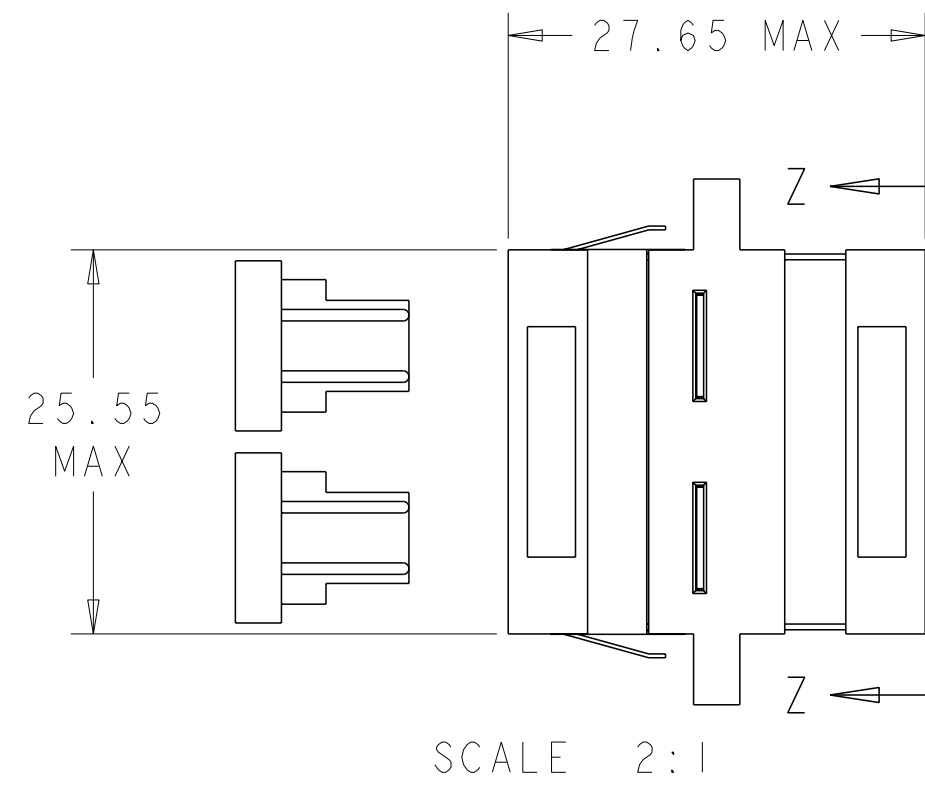
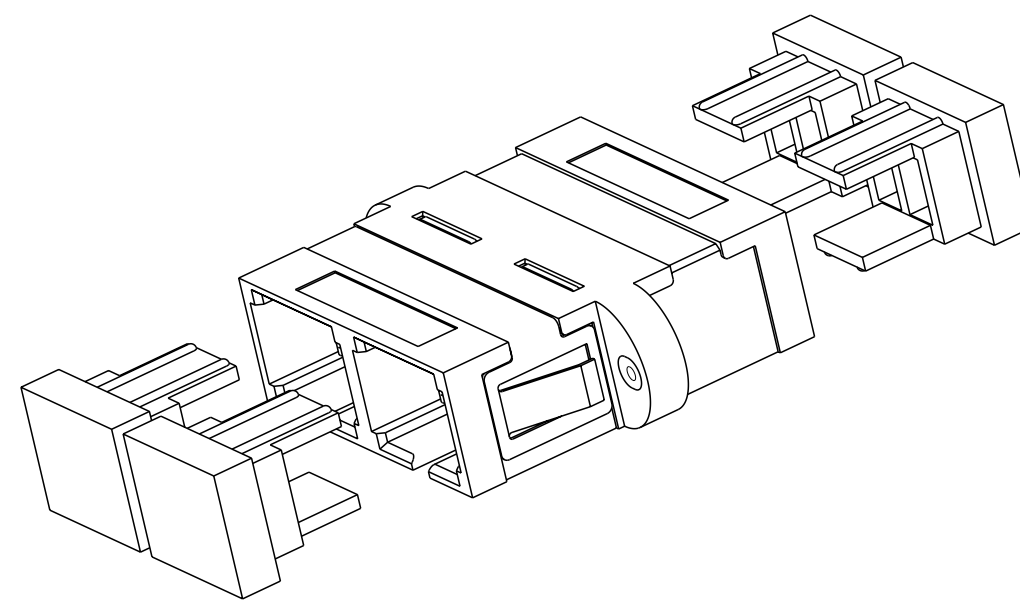


THIS DRAWING IS UNPUBLISHED. RELEASED FOR PUBLICATION 20
 © 2016 COMMSCOPE INC. CONFIDENTIAL NOTICE: THESE DRAWINGS AND SPECIFICATIONS ARE THE PROPRIETARY PROPERTY OF COMMSCOPE, INC. AND MAY BE USED ONLY FOR THE SPECIFIC PURPOSE AUTHORIZED IN WRITING BY COMMSCOPE, INC.

REVISIONS				
P	LTR	DESCRIPTION	DATE	APVD
C		REV; 40033035MCO	23AUG2016	GG TE



5502276-7/-8/-9/1-0/1-1/
1-2/1-3/2-2/2-3/2-5/2-6
(WITHOUT TE LOGO)



3-5502276-0/3-5502276-1
(WITH TE LOGO)

RETENTION CLIP	CERAMIC	GREEN	3-5502776-1
RETENTION CLIP	CERAMIC	BLUE	3-5502776-0
RETENTION CLIP	CERAMIC	AQUA	2-5502776-6
RETENTION CLIP	METAL	AQUA	2-5502776-5
RETENTION CLIP	CERAMIC	GREEN	2-5502776-3
NONE	CERAMIC	GREEN	2-5502776-2
RETENTION CLIP	METAL	BLACK	1-5502776-3
RETENTION CLIP	CERAMIC	BEIGE	1-5502776-2
RETENTION CLIP	CERAMIC	BLUE	1-5502776-1
RETENTION CLIP	CERAMIC	BLACK	1-5502776-0
RETENTION CLIP	METAL	BEIGE	5502776-9
RETENTION CLIP	METAL	BLUE	5502776-8
RETENTION CLIP	METAL	BLACK	5502776-7
INCLUDED HARDWARE	ALIGNMENT SLEEVE	COLOR	PART NUMBER

1 MATERIAL:
 HOUSING: PBT-GF30, SEE DASH NUMBERS FOR COLOR.*
 RETAINER: PEI-GF30, COLOR: BLACK.*
 RETENTION CLIP: STAINLESS STEEL.
 ALIGNMENT SLEEVE: SEE DASH NUMBERS.
 PROTECTIVE COVER: TPE, COLOR: BLACK.*
 *UL94 V-0 RATED AT QUALIFYING THICKNESS.

2 BULK PACKAGE.

THIS DRAWING IS A CONTROLLED DOCUMENT.		DWN B. BRIGGS 13MAY2005	COMMSCOPE, INC.	
		CHK S. MILLER 13MAY2005		
DIMENSIONS: mm		APVD S. BUCHTER 13MAY2005	NAME RECEPTACLE ASSEMBLY, DUPLEX, SC TO SC	
TOLERANCES UNLESS OTHERWISE SPECIFIED: 0 PLC ± 1 PLC ±0.1 2 PLC ±0.05 3 PLC ± 4 PLC ±		PRODUCT SPEC -	SIZE A200779	
MATERIAL 1		FINISH -	CAGE CODE C-5502776	RESTRICTED TO -
		APPLICATION SPEC -	DRAWING NO C-5502776	SCALE 4:1
		WEIGHT -	SHEET 1 OF 1	REV C
		CUSTOMER DRAWING		