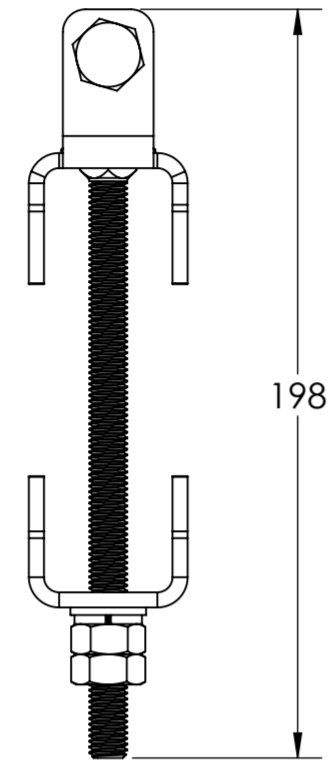
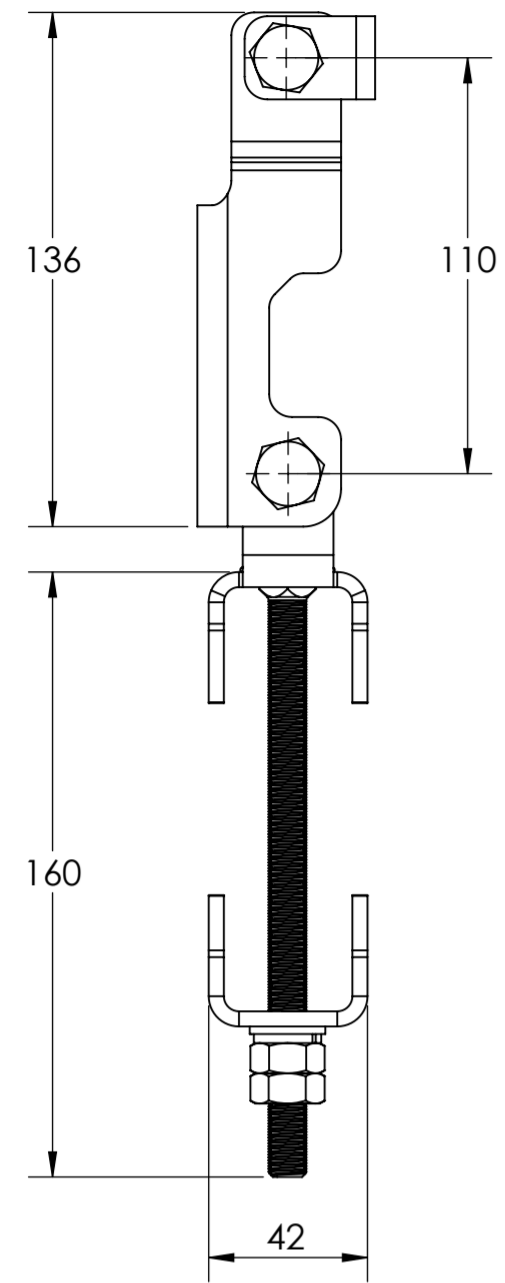
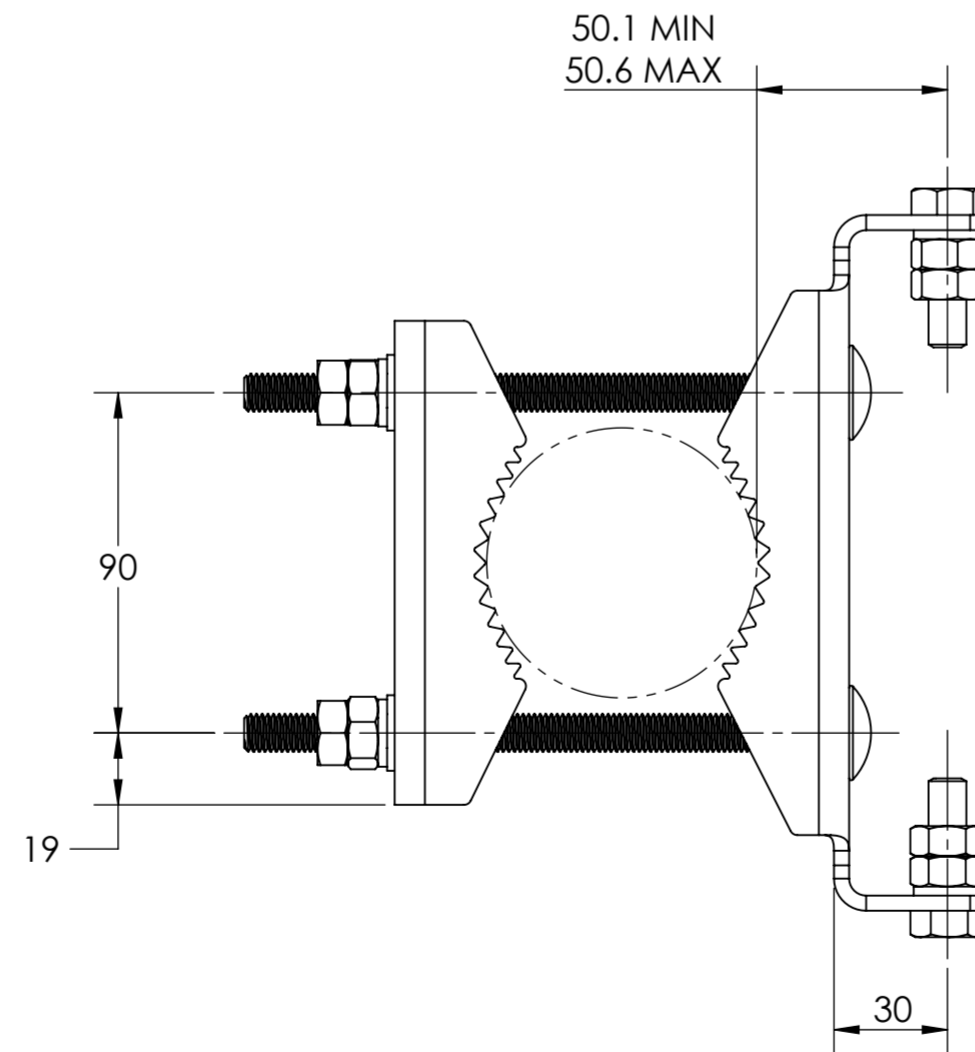
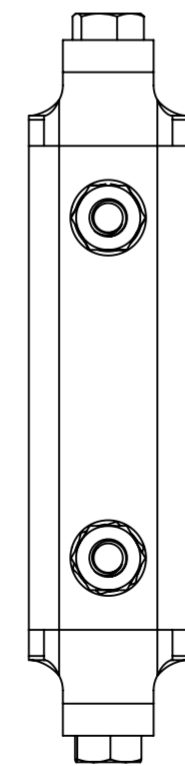
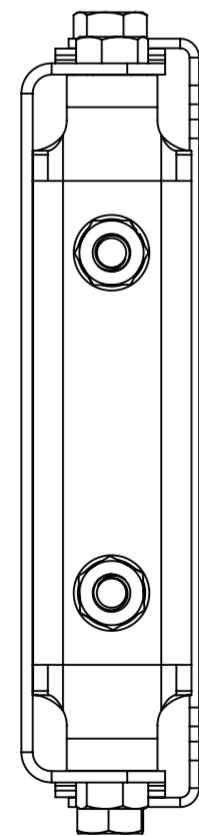
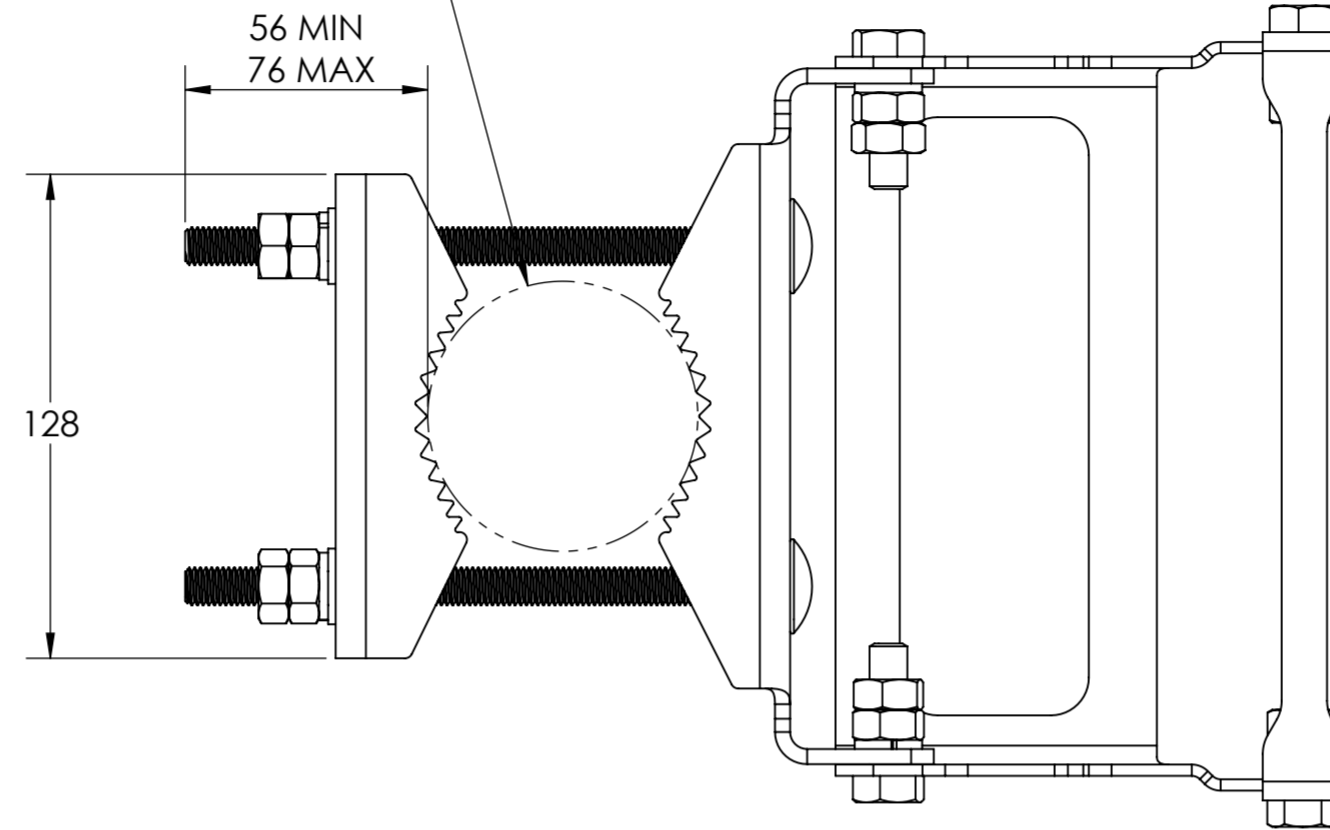


REVISIONS			
REV.	DESCRIPTION	DATE	APPROVED
A	ECR 8000023260: REL TO PRODUCTION PER EAO 604320.	07AUG17 RY	ST/XA
B	ECR 8000026591: ADD ITEM 9.	13OCT17 QF	S.LIU/JIHE



POLE DIAMETER: 60 - 80 mm



BSAMNT-LW

COMMSCOPE, INC. OF NORTH CAROLINA

TOLERANCES		SAP MATERIAL MASTER
0 PLACE X ±	2 PLACE .XX ±	
1 PLACE .X ±	ANGLES ±	

FINISH	MATERIAL
N/A	N/A

NAME	DATE	TITLE
CE RY	07AUG17	PRODUCT DRAWING
RW QW1004	10/18/2017	
RV CHALIU	10/18/2017	
AD JIHE	10/18/2017	
RE BYUAN	10/19/2017	
ECN 8000026591-O		SCALE 1:2
DOCUMENT NO.		BSAMNT-LW-L

DENSITY	g/mm ³
MASS	g
VOLUME	mm ³
SURFACE AREA	mm ²
HEIGHT	
LENGTH	
WIDTH	

SIZE	WORK AREA	23	MODEL			DRAWING			SHEET
A2		01	VERSION	STATUS	REVISION	VERSION	STATUS	REVISION	1 OF 1
			RE	B	01	RE	B		