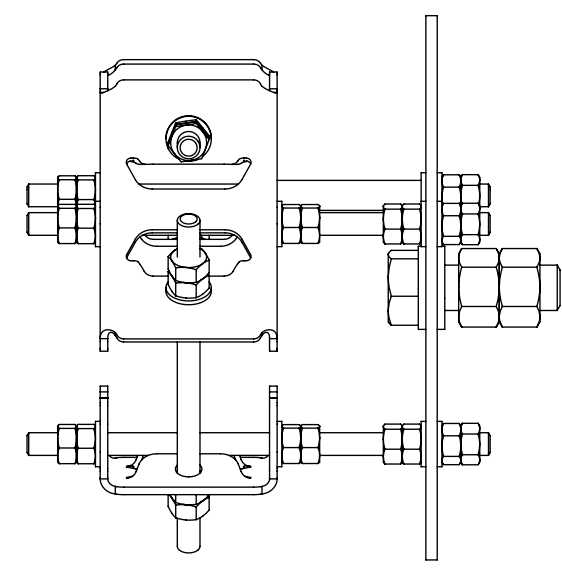
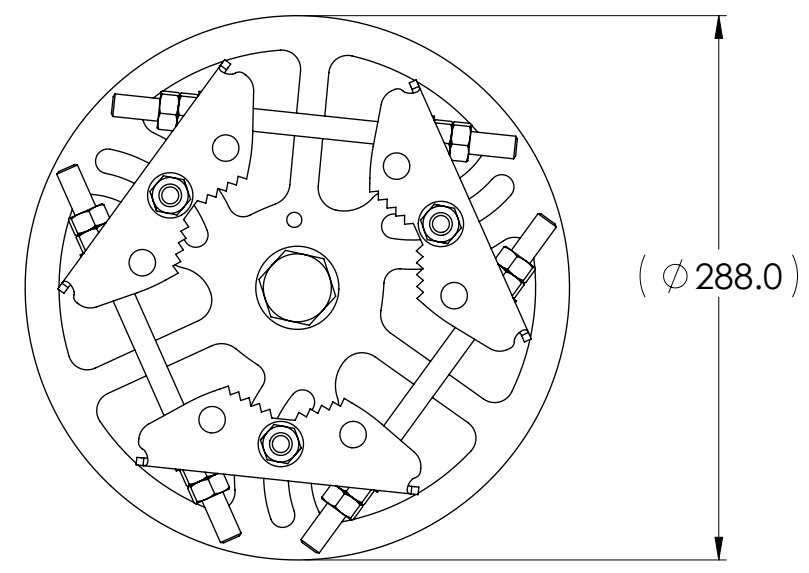
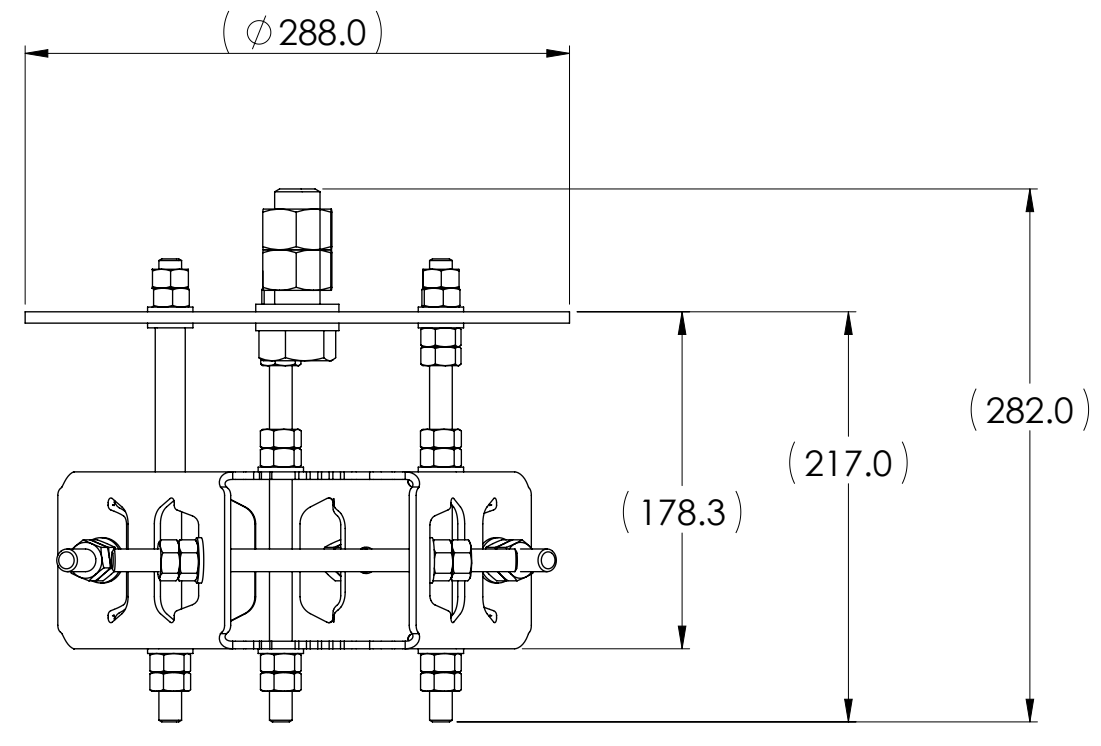


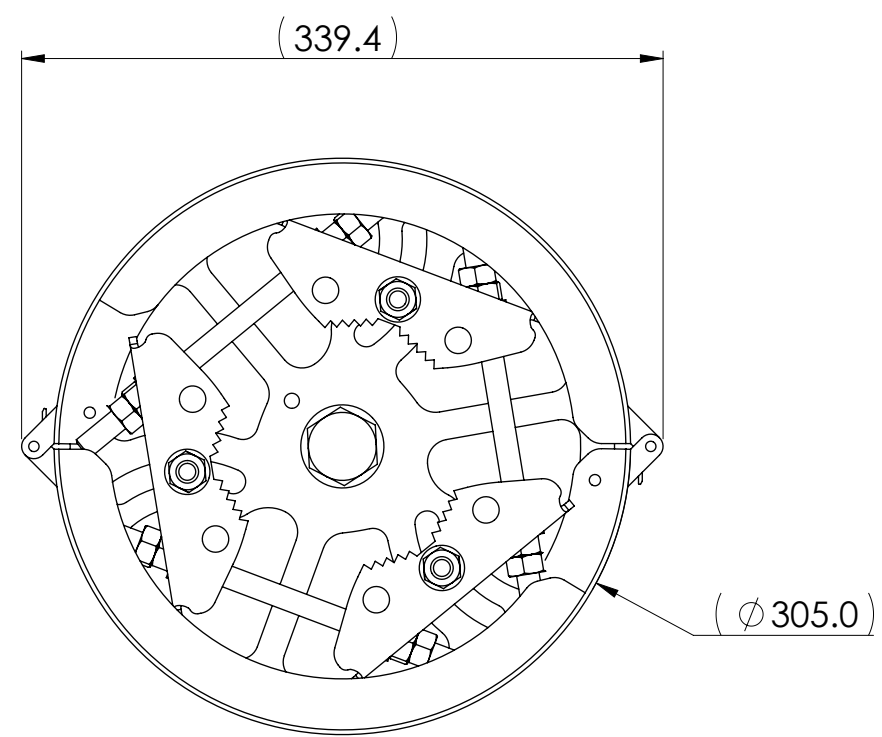
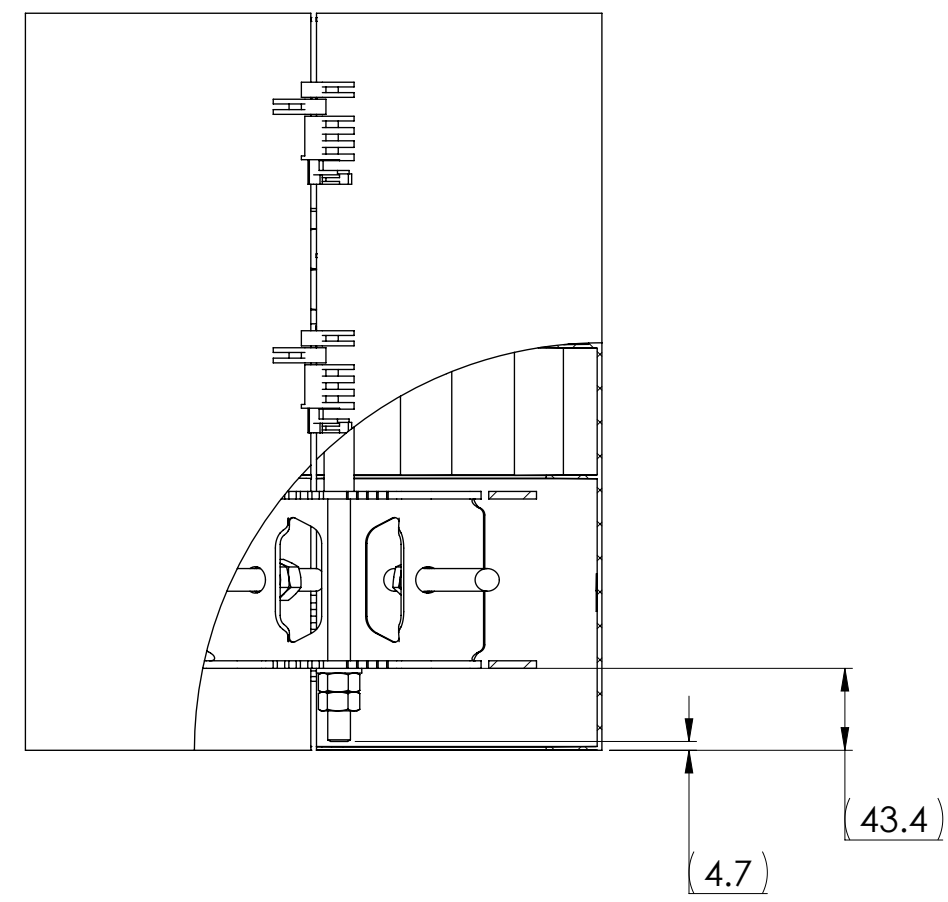
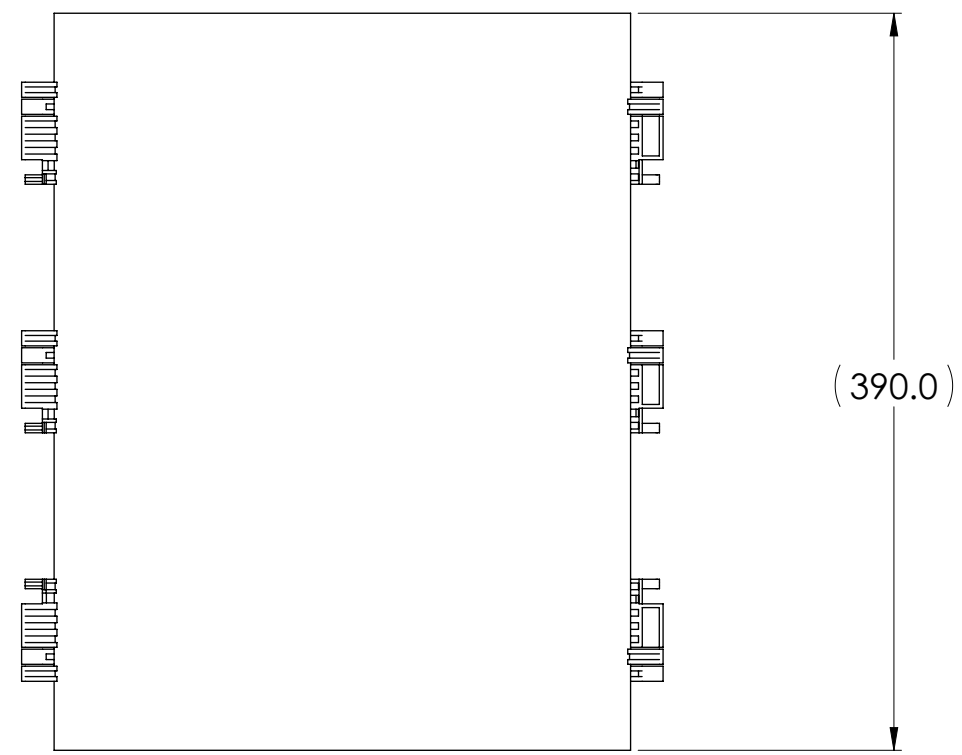
REVISIONS			
REV.	DESCRIPTION	DATE	APPROVED
A	ECR 8000034636: REL TO PRODUCTION.	28MAR19 CMY	S.LIU/HANSEN.W



MC-MNT-TOP  
SCALE 1 : 4

<b>COMMSCOPE, INC. OF NORTH CAROLINA</b>																															
TOLERANCES						SAP MATERIAL MASTER																									
0 PLACE X ±			2 PLACE .XX ±			1 PLACE .X ±			ANGLES ±																						
FINISH						MATERIAL																									
<b>PRODUCT DRAWING</b>																															
SCALE <b>1:4</b> DOCUMENT NO. <b>MC-MNT-TOP-L</b>																															
ECN 8000034636-O																															
<table border="1"> <thead> <tr> <th>REV.</th> <th>NAME</th> <th>DATE</th> <th>TITLE</th> </tr> </thead> <tbody> <tr> <td>CE</td> <td>MC1105</td> <td>03/28/2019</td> <td rowspan="5" style="text-align: center; vertical-align: middle;"><b>PRODUCT DRAWING</b></td> </tr> <tr> <td>RW</td> <td>MC1105</td> <td>03/28/2019</td> </tr> <tr> <td>RV</td> <td>CHALIU</td> <td>03/31/2019</td> </tr> <tr> <td>AD</td> <td>HW8003</td> <td>04/01/2019</td> </tr> <tr> <td>RE</td> <td>ZHHCHEN</td> <td>04/01/2019</td> </tr> </tbody> </table>												REV.	NAME	DATE	TITLE	CE	MC1105	03/28/2019	<b>PRODUCT DRAWING</b>	RW	MC1105	03/28/2019	RV	CHALIU	03/31/2019	AD	HW8003	04/01/2019	RE	ZHHCHEN	04/01/2019
REV.	NAME	DATE	TITLE																												
CE	MC1105	03/28/2019	<b>PRODUCT DRAWING</b>																												
RW	MC1105	03/28/2019																													
RV	CHALIU	03/31/2019																													
AD	HW8003	04/01/2019																													
RE	ZHHCHEN	04/01/2019																													
SIZE <b>A2</b>			WORK AREA <b>23</b>			MODEL			DRAWING																						
VERSION <b>02</b>			STATUS <b>RE</b>			REVISION <b>C</b>			VERSION <b>00</b>																						
STATUS <b>RE</b>			REVISION <b>C</b>			VERSION <b>00</b>			STATUS <b>RE</b>																						
REVISION <b>A</b>			VERSION <b>00</b>			STATUS <b>RE</b>			REVISION <b>A</b>																						
											SHEET 1 OF 2																				

DENSITY	g/mm <sup>3</sup>
MASS	grams
VOLUME	mm <sup>3</sup>
SURFACE AREA	mm <sup>2</sup>
HEIGHT	
LENGTH	
WIDTH	



MC-MNT-TOP  
WITH SHROUD COVER  
SCALE 1 : 4

COMMSCOPE, INC. OF NORTH CAROLINA				
TITLE PRODUCT DRAWING				
SIZE <b>A2</b>	SCALE <b>1:4</b>	DOCUMENT NO. <b>MC-MNT-TOP-L</b>		
DRAWING				SHEET
VERSION 00	STATUS RE	REVISION A	2 OF 2	

© 2019 CommScope, Inc.