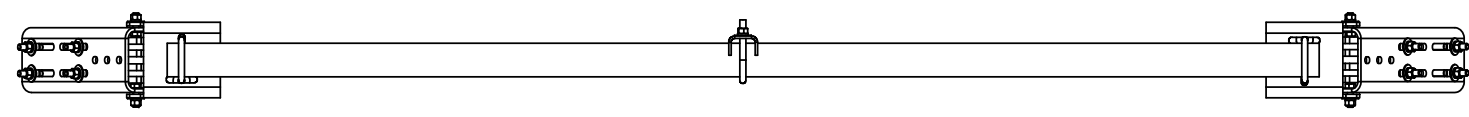
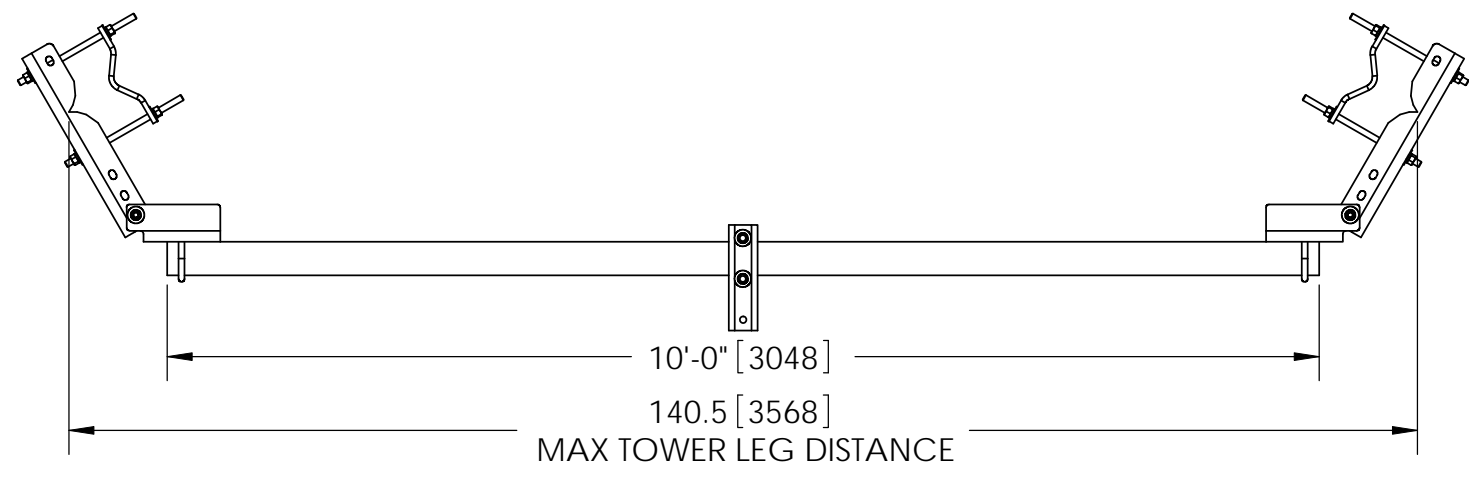
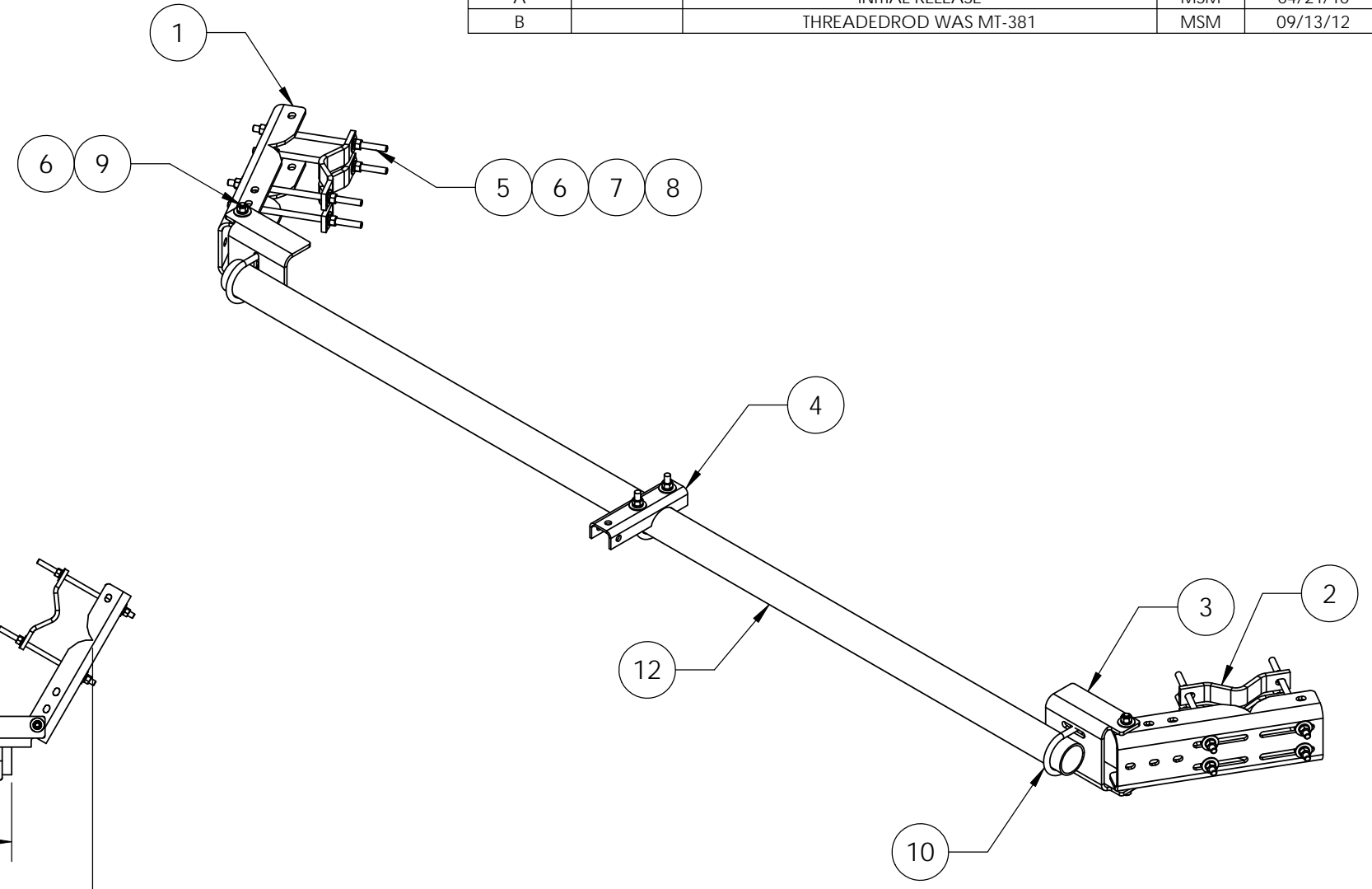



ITEM	PART NO.	DESCRIPTION	QTY.	WEIGHT
1	MDCS01	Universal Leg Channel	2	24.61 LBS
2	MCP10	2-1/2" O.D. TO 9" O.D. CLAMP HALF	4	3.36 LBS
3	MTC9872.02	CHANNEL PIVOT BRACKET	2	12.43 LBS
4	TFMSS35	Stiffarm Strut Support 3.5"OD	1	4.05 LBS
5	MT-382-14	5/8" X 14" GALV THREADED ROD	8	1.21 LBS
6	GWF-05	5/8" GALV FLAT WASHER	32	0.03 LBS
7	GWL-05	5/8" GALV LOCK WASHER	16	0.00 LBS
8	GN-05	5/8" GALV HEX NUT	24	0.04 LBS
9	GB-05205	5/8" X 2" GALV BOLT KIT	4	0.27 LBS
10	GUB-53560	5/8" X 3-5/8" X 6" GALV U-BOLT	3	1.30 LBS
12	MT-547-120	Ø 3.5" O.D. X 120" PIPE	1	75.36 LBS

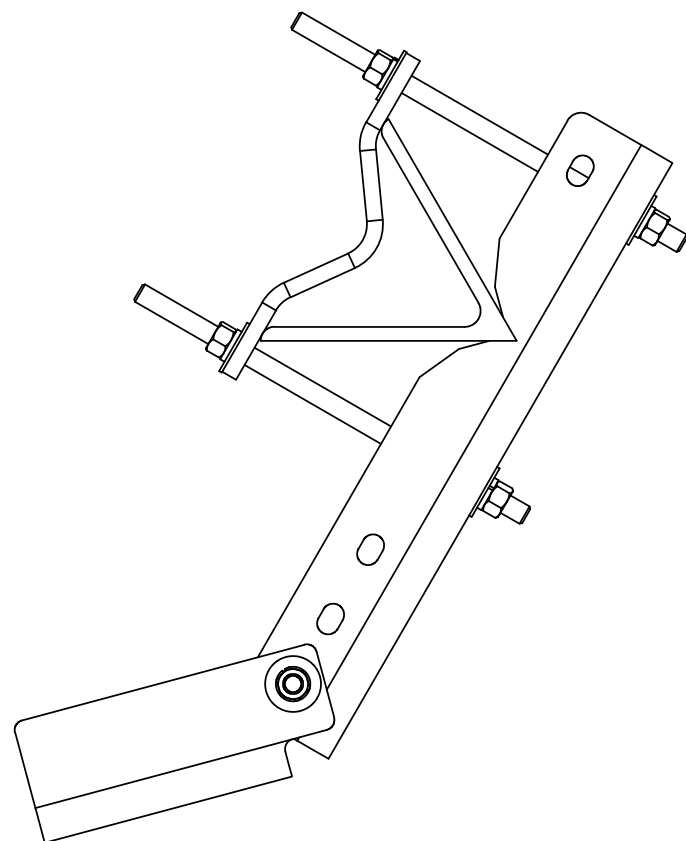
REVISIONS				
REV.	ZONE	DESCRIPTION	BY	DATE
A		INITIAL RELEASE	MSM	04/21/10
B		THREADED ROD WAS MT-381	MSM	09/13/12



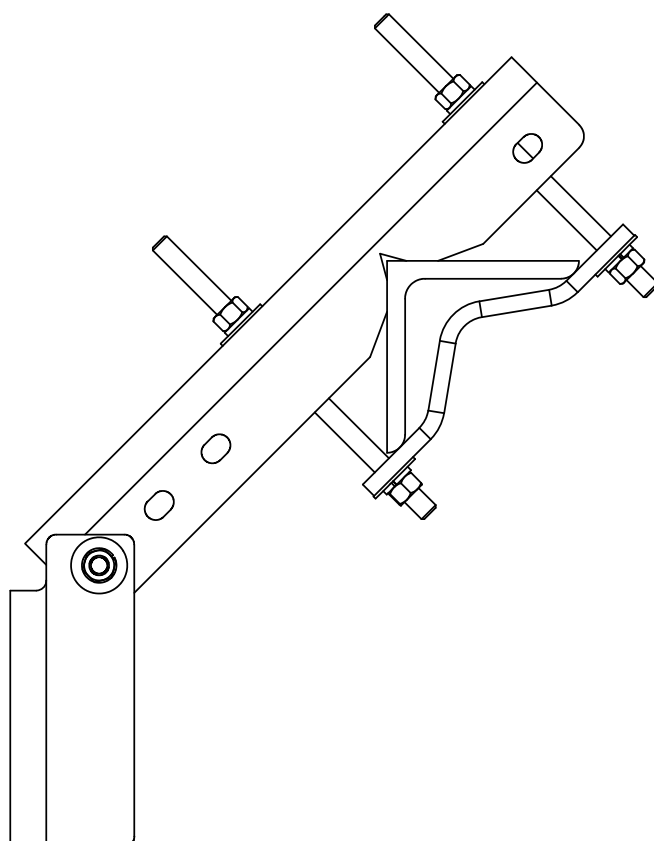
NOTES:
 1. ALL METRIC DIMENSIONS ARE IN BRACKETS.

<small>These drawings and specifications are the proprietary property of ANDREW CORPORATION and may be used only for the specific purpose authorized in writing by Andrew Corporation.</small> ALL DIMENSIONS ARE IN INCHES U.O.S. TOLERANCES UNLESS OTHERWISE SPECIFIED: .X = ± .12 ANGLES ±2° .XX = ± .06 FRACTIONS ±1/32 .XXX = ± .03 REMOVE BURRS AND BREAK EDGES .005 DO NOT SCALE THIS PRINT	DRAWN BY: MSM	SHEET: 1 of 2	PART NUMBER: MD-CS-10R
	CHECKED BY: TP	SCALE: NTS	DESCRIPTION: Microwave Dish Channel Support, 10' Round
	DATE: 04/21/10	MATERIAL: A36, A53	DRAWING TYPE: ASSEMBLY DRAWING
	REVISION: B	FINISH: GALV A123	 WESTCHESTER, IL. 60154 U.S.A.
	WEIGHT: 187.15 LBS		

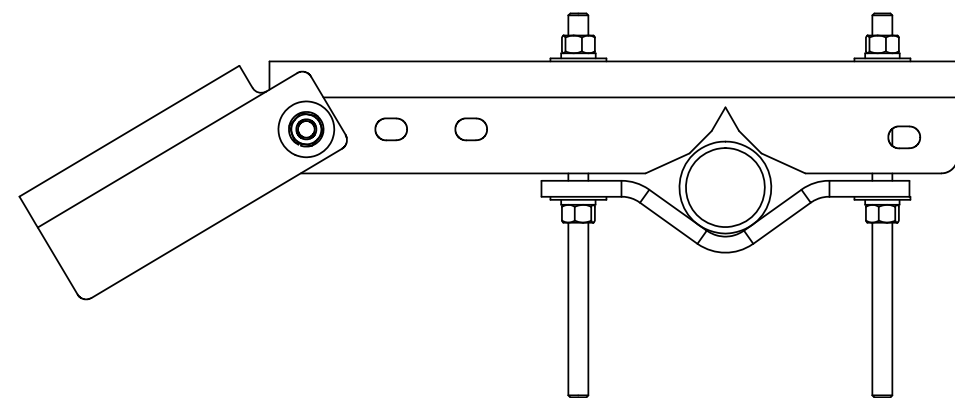
OPTIONAL MOUNTING



60 ° TOWER LEGS UP TO 8" X 8" ANGLE



90 ° TOWER LEGS UP TO 6" X 6" ANGLE



ROUND TOWER LEGS UP TO ϕ 8" OD

<p>These drawings and specifications are the proprietary property of ANDREW CORPORATION and may be used only for the specific purpose authorized in writing by Andrew Corporation.</p> <p>ALL DIMENSIONS ARE IN INCHES U.O.S. TOLERANCES UNLESS OTHERWISE SPECIFIED:</p> <p>.X = ± .12 ANGLES ±2° .XX = ± .06 FRACTIONS ±1/32 .XXX = ± .03</p> <p>REMOVE BURRS AND BREAK EDGES .005</p> <p>DO NOT SCALE THIS PRINT</p>	<p>DRAWN BY: MSM</p>	<p>SHEET: 2 of 2</p>	<p>PART NUMBER: MD-CS-10R</p>
	<p>CHECKED BY: TP</p>	<p>SCALE: NTS</p>	<p>DESCRIPTION: Microwave Dish Channel Support, 10' Round</p>
	<p>DATE: 04/21/10</p>	<p>MATERIAL: A36, A53</p>	<p>DRAWING TYPE: ASSEMBLY DRAWING</p>
	<p>REVISION: B</p>	<p>FINISH: GALV A123</p>	<p>WEIGHT: 187.15 LBS</p>

