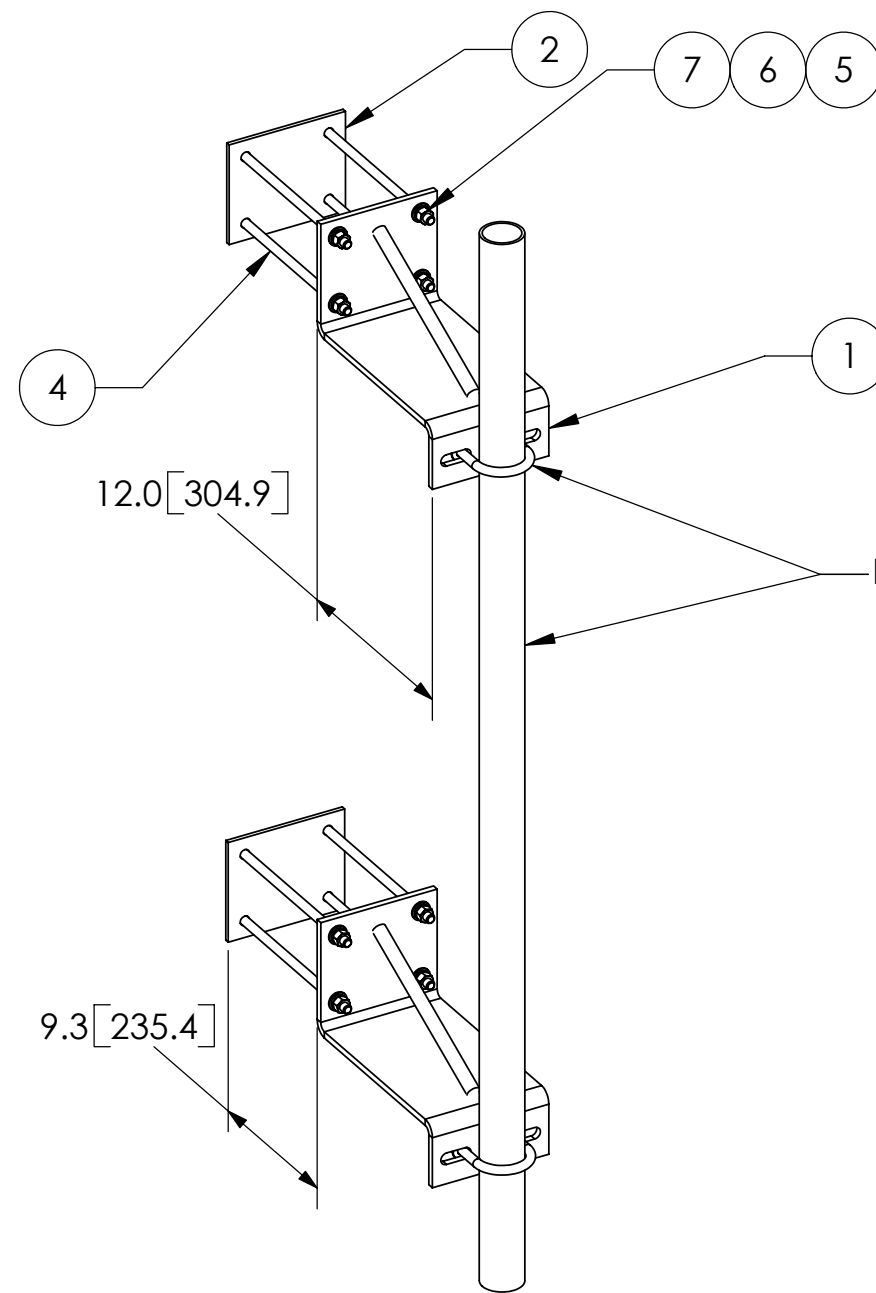
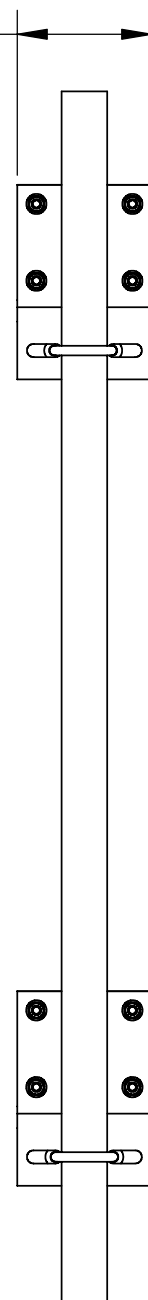
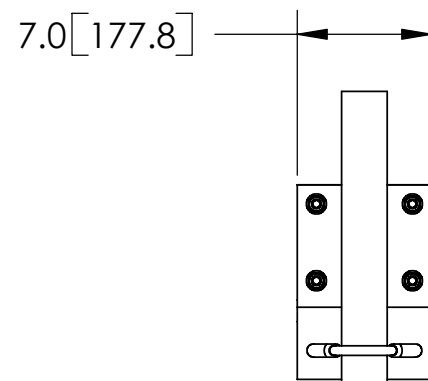
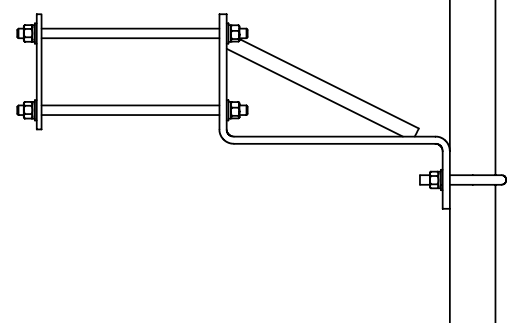
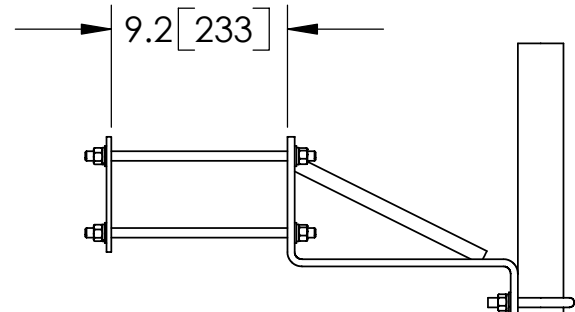
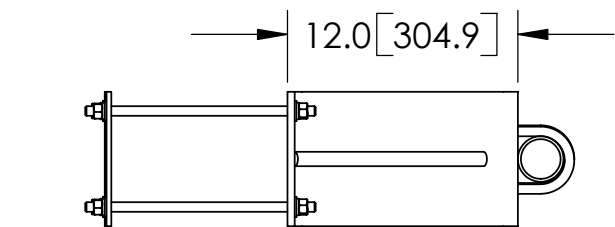


ITEM	PART NO.	DESCRIPTION	QTY.	WEIGHT
1	MT221L.04	12" WALL MOUNT BRACKET	2	16.62 LBS
2	MT223.03	WALL MOUNT BACKING PLATE	2	2.89 LBS
3	MT223H	HARDWARE KIT (ITEMS 4-6)	1	
4	MT-379	1/2" X 12" GALV. THREADED ROD	8	0.67 LBS
5	GWF-04	1/2" GALV FLAT WASHER	16	0.01 LBS
6	GWL-04	1/2" GALV LOCK WASHER	16	0.01 LBS
7	GN-04	1/2" GALV HEX NUT	16	0.04 LBS

REVISIONS				
REV.	ZONE	DESCRIPTION	BY	DATE
A		INITIAL RELEASE	DI	01/20/05
B		UPDATE WEIGHT	ACG	01/12/06
C		REDESIGN ITEM 1 & 2	MSM	02/27/08



NOTE: GALV PIPE AND U-BOLTS ORDERED SEPARATELY

These drawings and specifications are the proprietary property of ANDREW CORPORATION and may be used only for the specific purpose authorized in writing by Andrew Corporation.  ALL DIMENSIONS ARE IN INCHES U.O.S. TOLERANCES UNLESS OTHERWISE SPECIFIED: .X = .12      ANGLES      2' .XX = .06      FRACTIONS      1/32 .XXX = .03  REMOVE BURRS AND BREAK EDGES .005  DO NOT SCALE THIS PRINT	DRAWN BY: DI	SHEET: 1 of 1	PART NUMBER: MT-221L
	CHECKED BY: TP	SCALE: NTS	DESCRIPTION: ADJUSTABLE WALL MOUNT FOR HOLLOW WALLS
	DATE: 1/20/05	MATERIAL: A36	DRAWING TYPE: ASSEMBLY DRAWING
	REVISION: C	FINISH: GALV A123	WEIGHT: 83.92 LBS

**ANDREW**® ORLAND PARK, IL. 60462 U.S.A.