

4

3

2

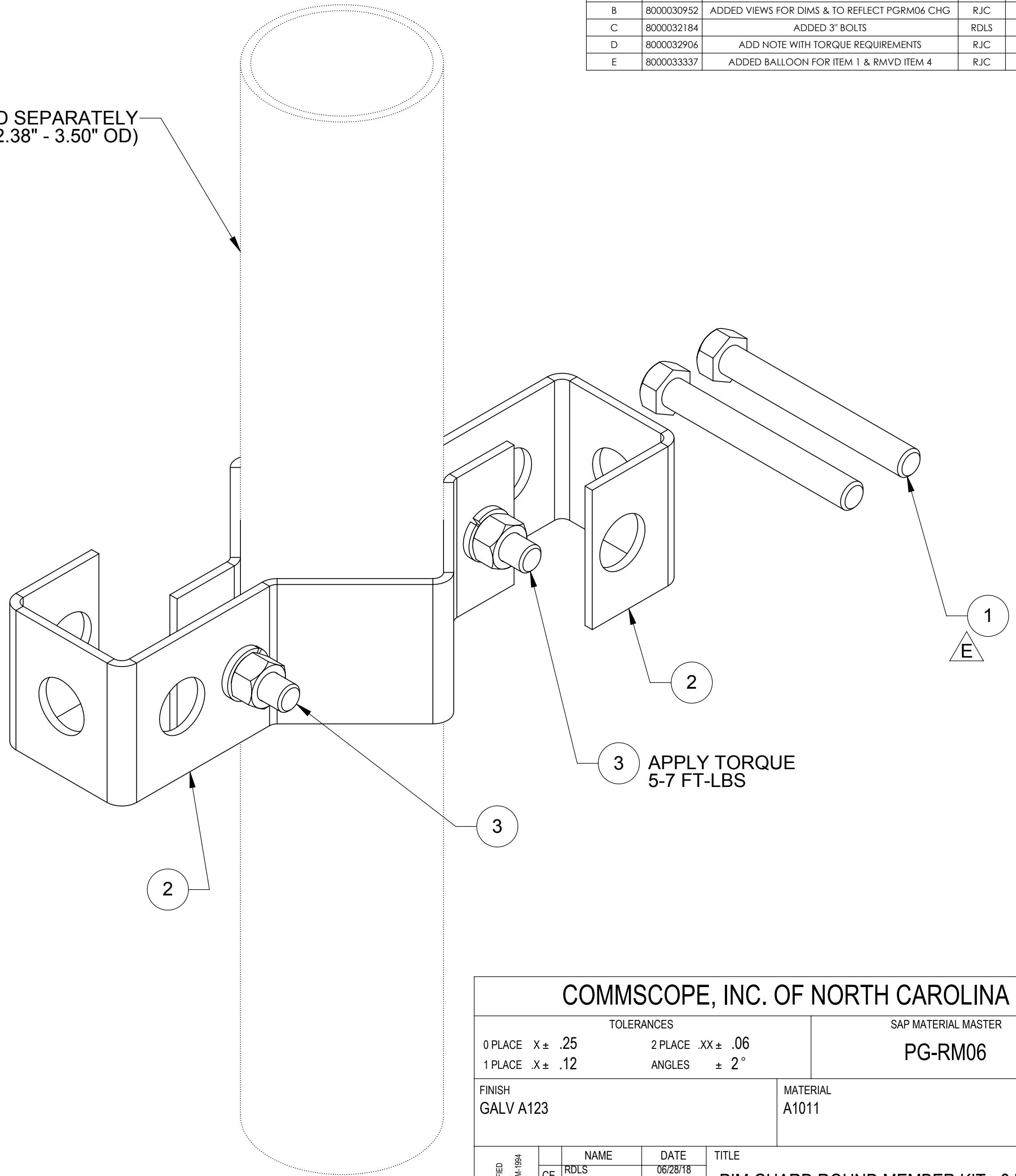
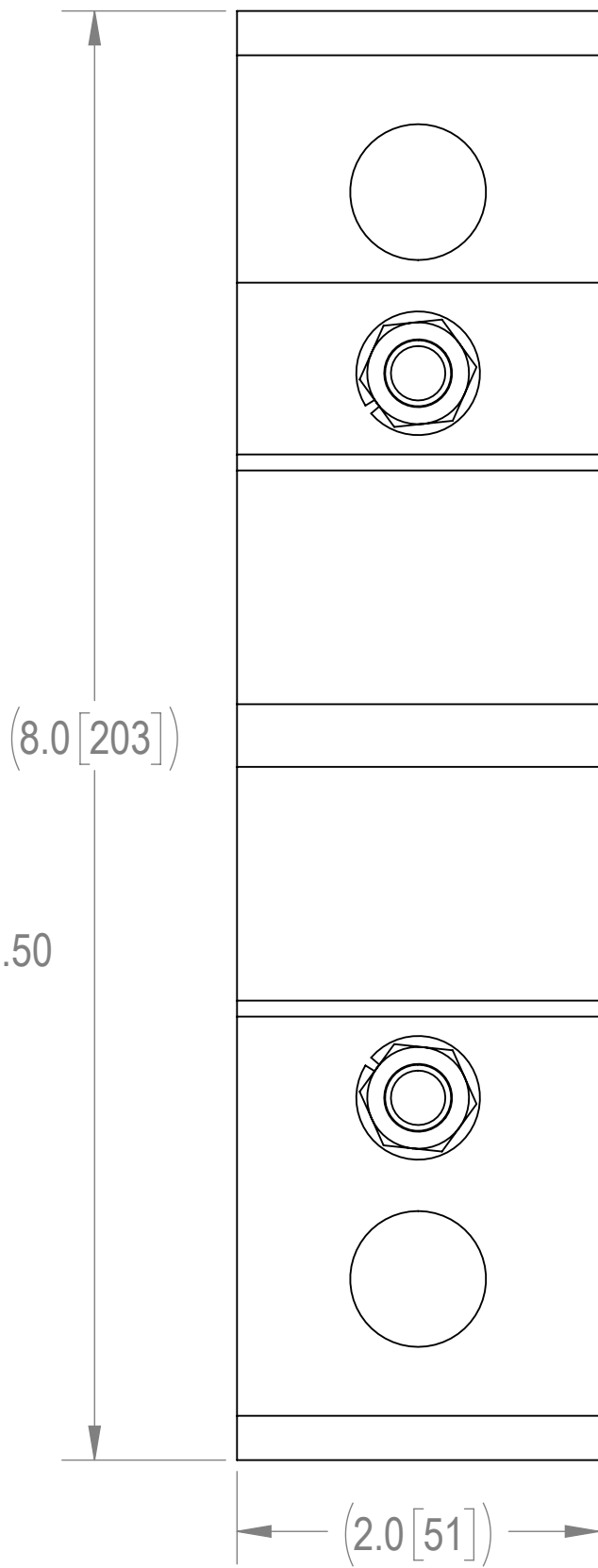
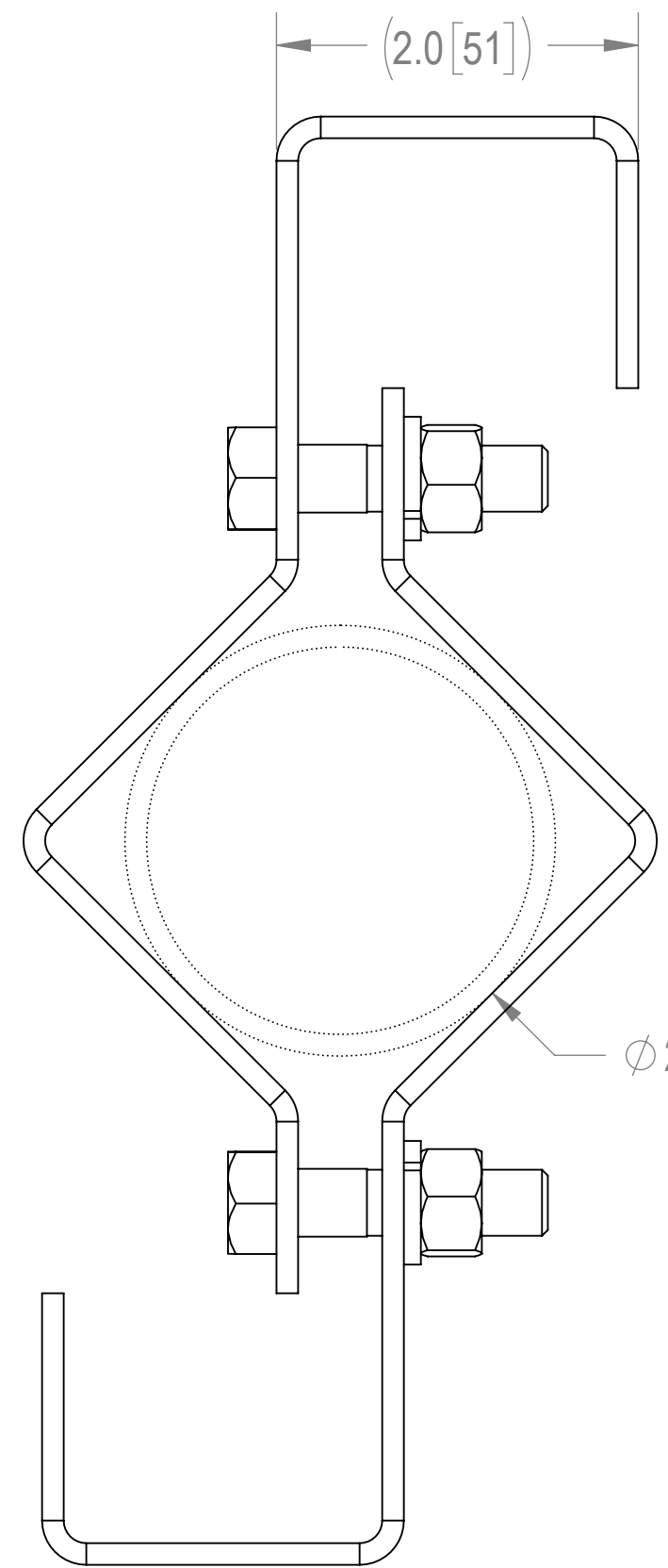
1

NOTES:
 1.0 GENERAL
 1.1 ALL METRIC DIMENSIONS ARE IN BRACKETS
 1.2 FOR PATENT INFO :[HTTPS://WWW.COMMSCOPE.COM/PRODUCTPATENT/PRODUCTPATENT.ASPX](https://www.commscope.com/productpatent/productpatent.aspx)
 1.3 MARK PART WITH IDENTIFICATION NUMBER.
 2.0 DESIGN NOTES
 3.0 MANUFACTURING/SPECIAL REQUIRMENTS
 3.1 INSTALL WITH TORQUE WRENCH SET AT 5 TO 7 FT-LB TO MEET CARRIER PIM REQUIREMENTS.
 4.0 TEST
 5.0 PACKAGING

INSTALL WITH TORQUE WRENCH SET AT 5 TO 7 FT-LB TO MEET CARRIER PIM REQUIREMENTS

REVISIONS				
REV.	ECN	DESCRIPTION	BY	DATE
A	8000030568	INITIAL RELEASE	RDLS	07/02/18
B	8000030952	ADDED VIEWS FOR DIMS & TO REFLECT PGRM06 CHG	RJC	09/11/18
C	8000032184	ADDED 3" BOLTS	RDLS	11/14/18
D	8000032906	ADD NOTE WITH TORQUE REQUIREMENTS	RJC	12/05/18
E	8000033337	ADDED BALLOON FOR ITEM 1 & RMVD ITEM 4	RJC	01/22/19

PIPE SOLD SEPARATELY
(2.38" - 3.50" OD)



COMMSCOPE, INC. OF NORTH CAROLINA									
TOLERANCES					SAP MATERIAL MASTER				
0 PLACE X ± .25		2 PLACE .XX ± .06			PG-RM06				
1 PLACE .X ± .12		ANGLES ± 2°							
FINISH GALV A123					MATERIAL A1011				
UNLESS OTHERWISE SPECIFIED DIMENSIONS ARE IN INCHES INTERPRET PER ANSI Y 14.5M-1994	CE	RDLS	06/28/18	TITLE PIM GUARD ROUND MEMBER KIT - 6 HOLE					
	RW	BCAMPBELLCON	01/23/2019	SCALE 1:1 DOCUMENT NO. PG-RM06					
	RV	MC1107	01/23/2019	DRAWING					
	AD	BCAMPBELLCON	01/23/2019	VERSION	STATUS	REVISION	VERSION	STATUS	REVISION
	RE	ECN 008000033337	SIZE WORK AREA 24	01	RE	E	06	RE	E
DENSITY	MASS	VOLUME	SURFACE AREA	HEIGHT	LENGTH	WIDTH	SHEET 1 OF 1		
	5.37			2.0	7.75	3.40			
	lbs/in³	lbs	in³						

ITEM	PART NO.	DESCRIPTION	QTY.	WEIGHT	NOTE NO.
1	3803FTB	3/8 X 3 FULL THREAD BOLT GALV	2	0.11 LBS	
2	PGRM06	BRACKET, PIM GUARD RM CABLE SUPPORT	2	0.67 LBS	
3	GB-03145	3/8" X 1-1/2" GALV BOLT KIT	2	0.07 LBS	

© 2018 CommScope, Inc.

4

3

2

1