

4

3

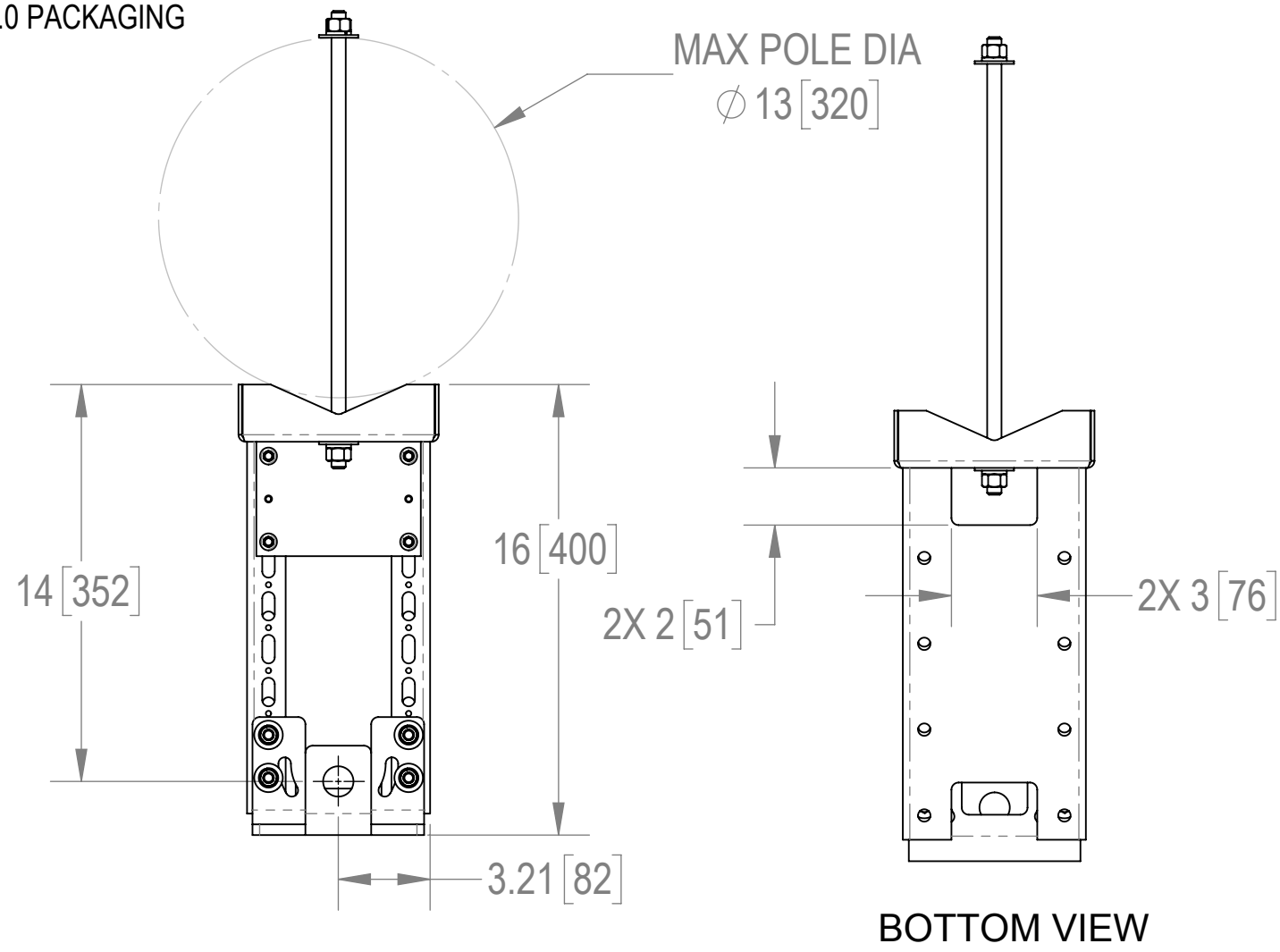
2

1

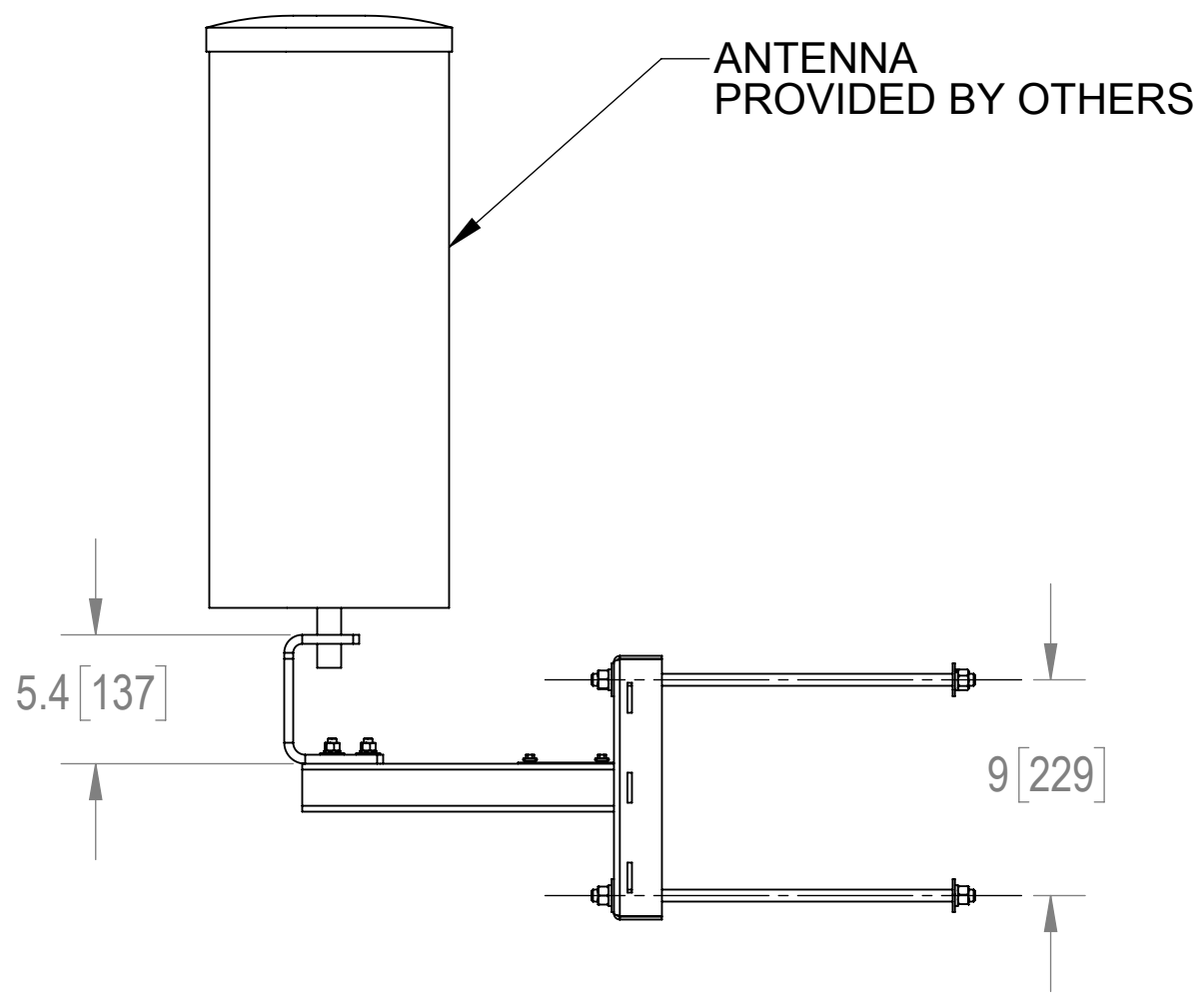
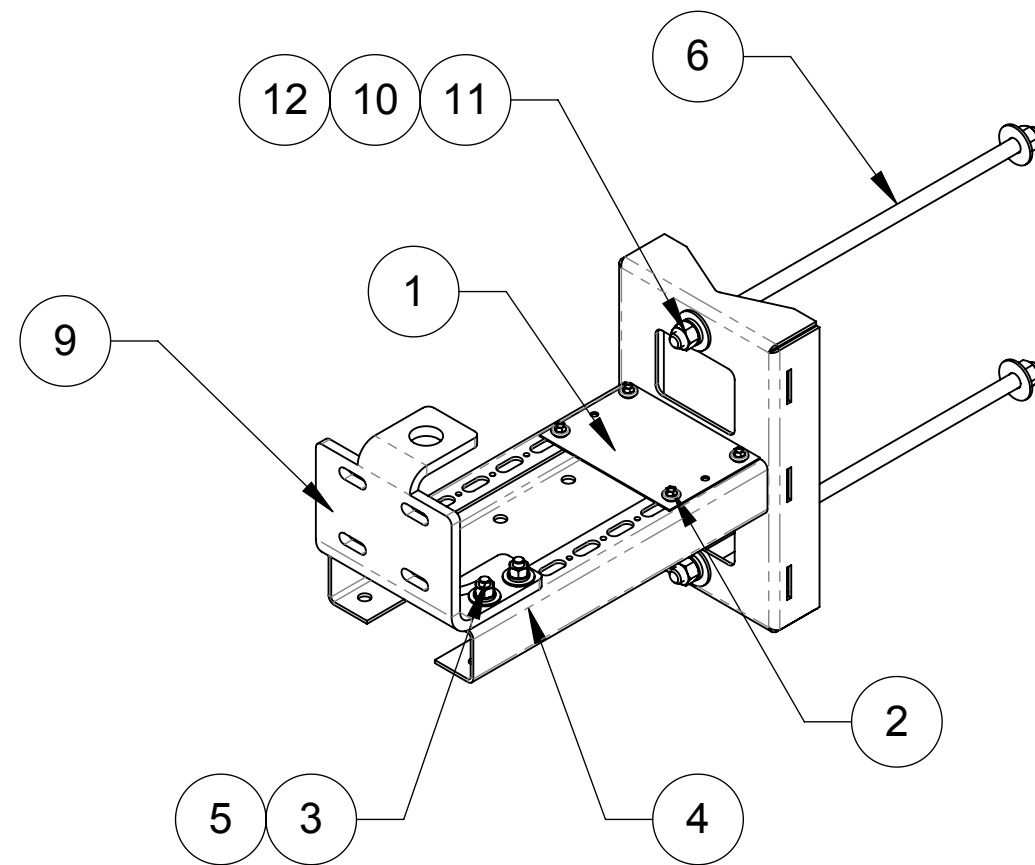
- NOTES:
- 1.0 GENERAL
 - 1.1 ALL METRIC DIMENSIONS ARE IN BRACKETS
 - 1.2 FOR PATENT INFO: <https://www.commscope.com/ProductPatent/ProductPatent.aspx>
 - 1.3 PART NO SCSM1B DOES NOT INCLUDE ANTENNA MOUNTING HARDWARE
 - 2.0 DESIGN NOTES
 - 2.1 FOR COLOR INFORMATION, REFER TO DRAWING MTM1004
 - 2.2 FOR PANEL ANTENNA, MAX EPA - 2.9 SQ-FT
 - 2.2 ANTENNA MOUNTING PIPE NOT PROVIDED
 - 3.0 MANUFACTURING/SPECIAL REQUIREMENTS
 - 4.0 TEST
 - 5.0 PACKAGING



REVISIONS				
REV.	ECN	DESCRIPTION	BY	DATE
A	8000029174	INITIAL RELEASE	FA	03/28/18
B	8000029974	CHANGE WIDTH OF CHANNEL AND U BRACKET	FA	6/5/2018
C	8000030749	COMBINED CANISTER AND PANEL ANTENNA BRKT	FA	7/13/2018
D	8000031690	ADD PANEL ANTENNA MTG & FORMAT	FA	10/4/2018
E	8000034330	ADDED 2 ANTENNAS TO TABLE; FIX NOTE 1.3	RJC	03/11/19



BOTTOM VIEW



GALETRONICS ANTENNA BRACKET SET-UP

ANTENNA PROVIDED BY OTHERS

COMPATIBLE ANTENNAS			
OEM	MODELS	GALETRONICS BRACKET	UNIVERSAL ANTENNA MOUNT
KATHERIN	80010783 /80010784		x
GALTRONICS	P6480i	x	
GALTRONICS	GQ2410-06621	x	
KMW	FX-OM2L10H2	x	x
AMPHENOL	CUUT070X06Fxyz0		x
COMMSCOPE	CH360QS-DG-F2M		x
COMMSCOPE	(RR) / VVSP-360S-F		x
COMMSCOPE	NH360QS-DG-F0M		x
COMMSCOPE	NH360QS-F0M		x
COMMSCOPE	NH360QS-G-F0M		x
COMMSCOPE	NH180QS-DG-F0M		x
COMMSCOPE	NH65PS-DG-F0M		x
COMMSCOPE	V4PP-360S-F		x
GAMMA NU THETA	DOYZ9X360F12		x
AMPHENOL	C2U3MT360X06F00S0		x



PATENT PENDING

ITEM	PART NO.	DESCRIPTION	QTY.	WEIGHT	NOTE NO.
1	MTC397347	COVER, SCSM, 15" STANDOFF	1	0.31 LBS	
2	TS1275	TEK SCREW #12 X 3/4, WITH NEOPRENE WASHER	4	0.02 LBS	
3	GB-03125	3/8" X 1-1/4" GALV BOLT KIT	4	0.06 LBS	NOT INCLUDED IN SCSM1B
4	MTC397348	WELDMENT, SCSM, 15" STANDOFF	1	8.50 LBS	
5	GWF-03	3/8" GALV FLAT WASHER	4	0.01 LBS	NOT INCLUDED IN SCSM1B
6	MT37916	1/2" X 16" GALV THREADED ROD	2	0.88 LBS	
7	MTC401211	UNIVERSAL ANTENNA MOUNT	1	3.27 LBS	NOT INCLUDED IN SCSM1B
8	GUB-3244	3/8" X 2-1/2" X 4" GALV U-BOLT	2	0.31 LBS	NOT INCLUDED IN SCSM1B
9	MTC401218	MOUNT, PANEL/CANISTER ANTENNA	1	4.82 LBS	NOT INCLUDED IN SCSM1B
10	GWL-04	1/2" GALV LOCK WASHER	4	0.01 LBS	
11	GN-04	1/2" GALV HEX NUT	4	0.04 LBS	
12	GWF-04	1/2" GALV FLAT WASHER	4	0.03 LBS	

DENSITY	0.01	lbs/in ³
MASS	27.39	lbs
VOLUME	71.60	in ³
SURFACE AREA		in ²
HEIGHT		
LENGTH		
WIDTH		

COMMSCOPE, INC. OF NORTH CAROLINA

TOLERANCES: 0 PLACE X ± .25, 1 PLACE X ± 0.12, 2 PLACE .XX ± 0.06, ANGLES ± 2°

SAP MATERIAL MASTER: SCSM1

FINISH: GALV A123, MATERIAL: A1011/A1018

NAME	DATE	TITLE
CE FA	3/28/2018	SMALL CELL SIDE MOUNT, 15" STANDOFF
RW BCAMPBELLCON	03/13/2019	
RV MC1107	03/18/2019	
RE BCAMPBELLCON	03/19/2019	

SCALE: 1:6, DOCUMENT NO.: SCSM1

SIZE	WORK AREA	24	MODEL	DRAWING	SHEET
C			VERSION	STATUS	REVISION
			00	RE	A
			03	RE	E

1 OF 2

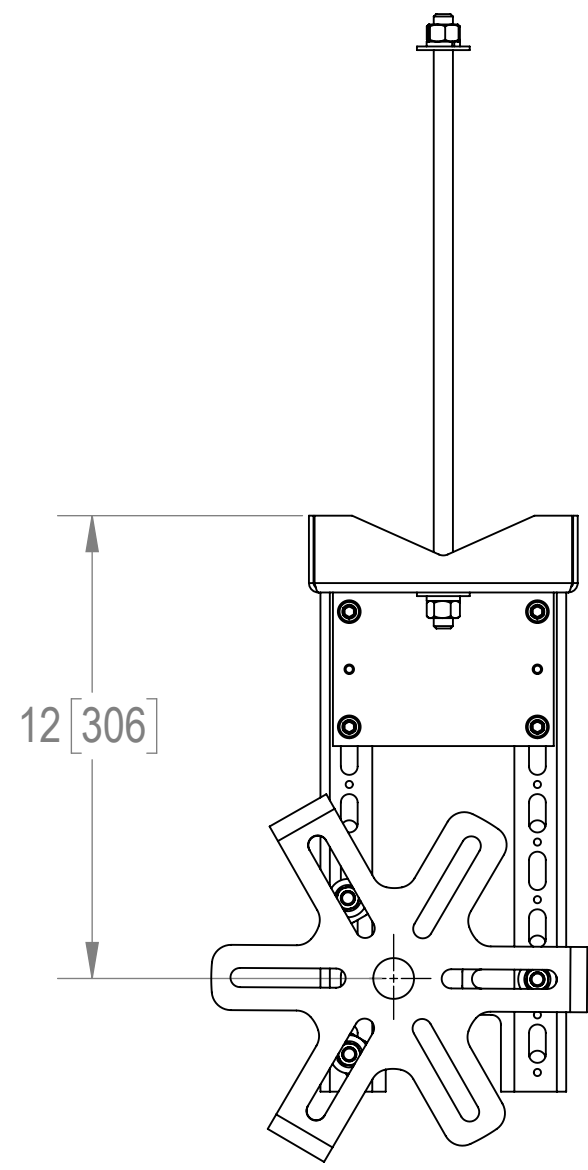
4

3

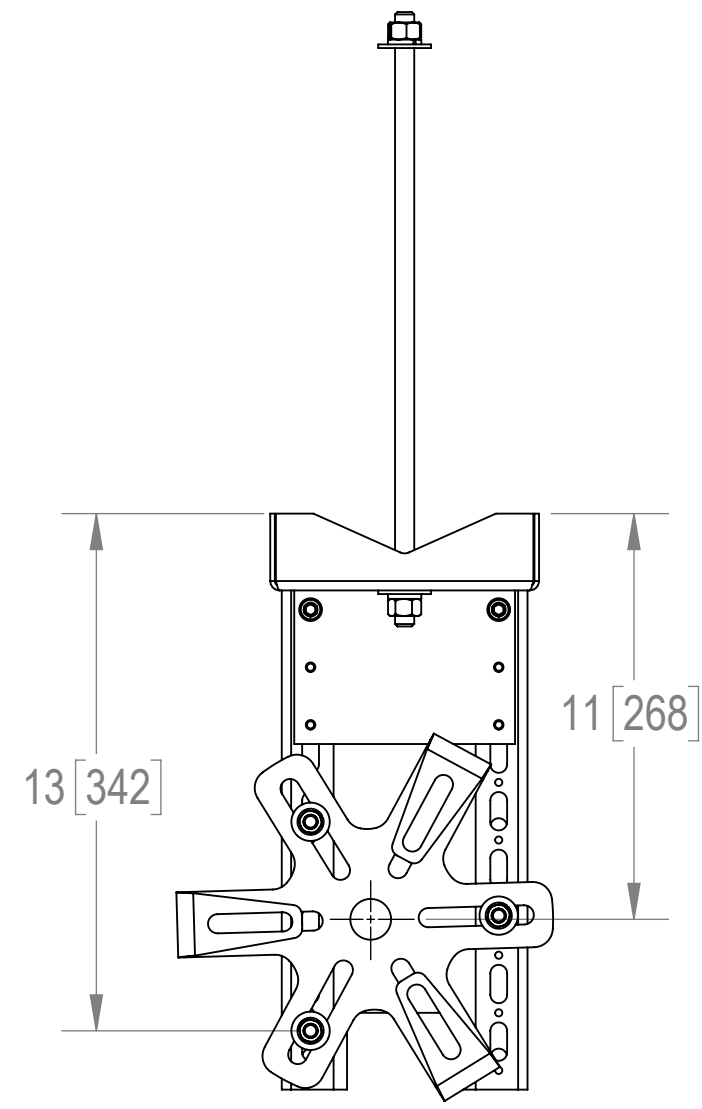
2

1

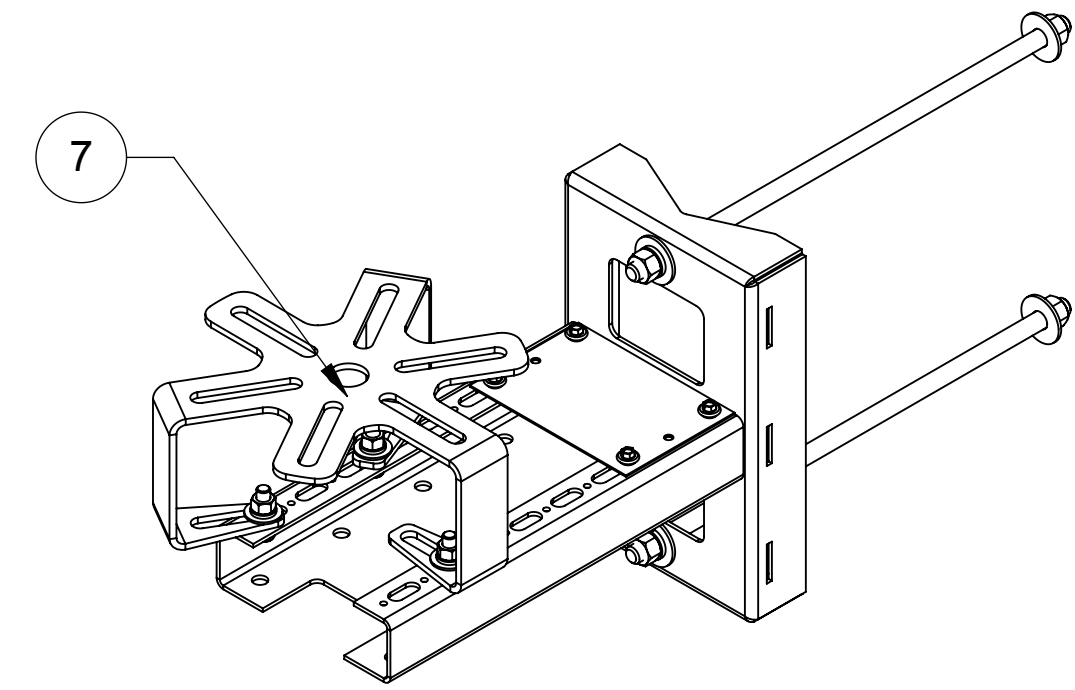
NOTES:



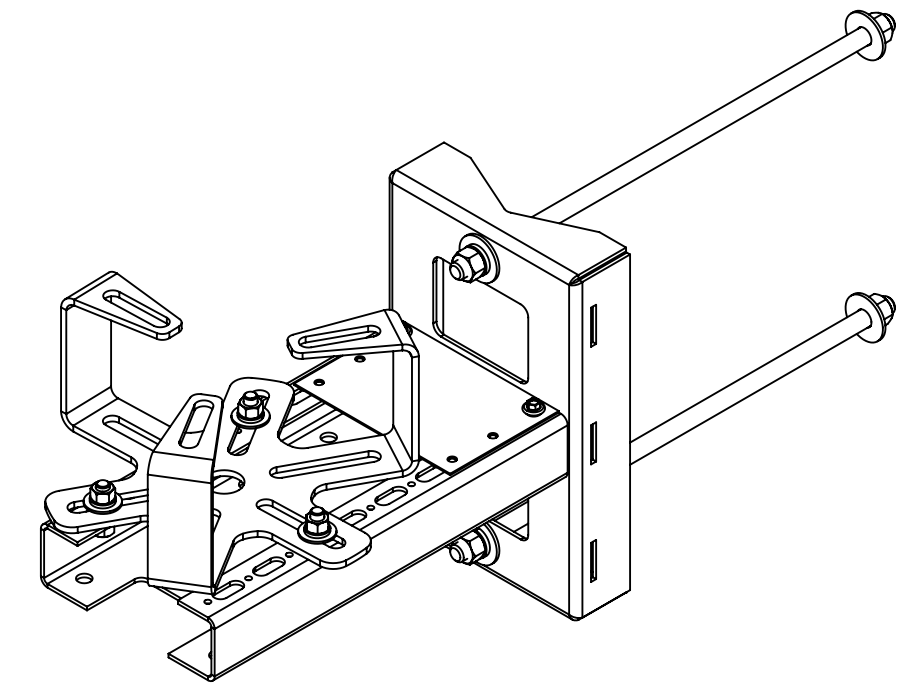
UNIVERSAL ANTENNA MOUNT



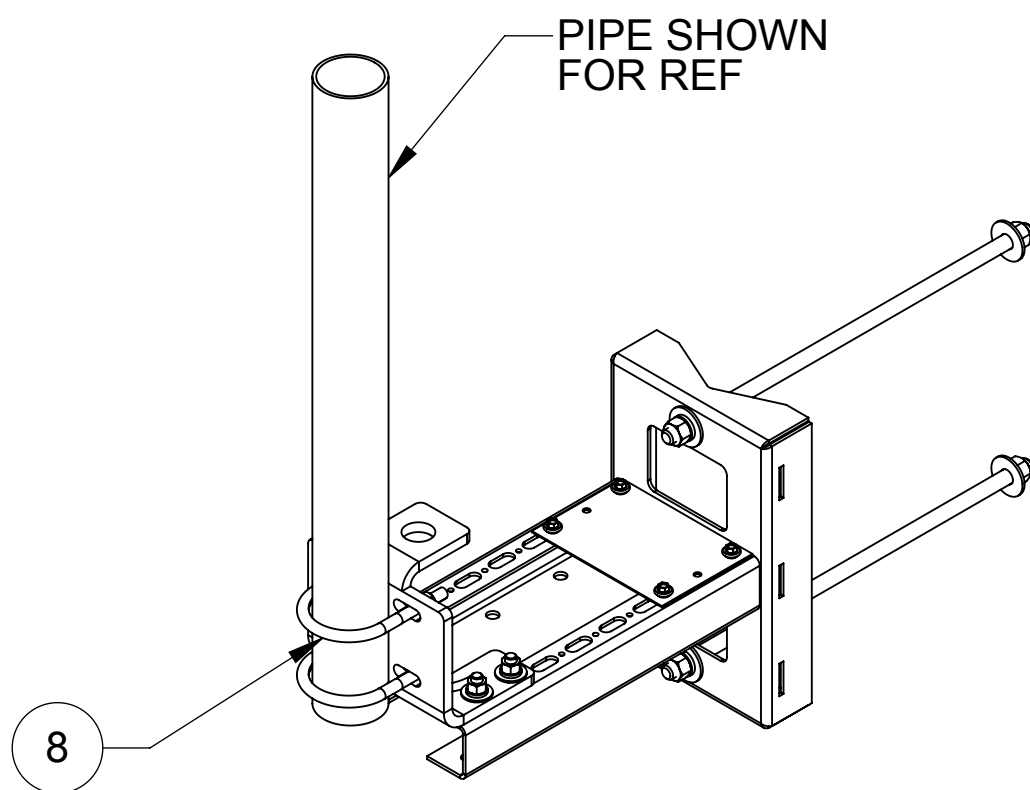
UNIVERSAL ANTENNA MOUNT FLIPPED



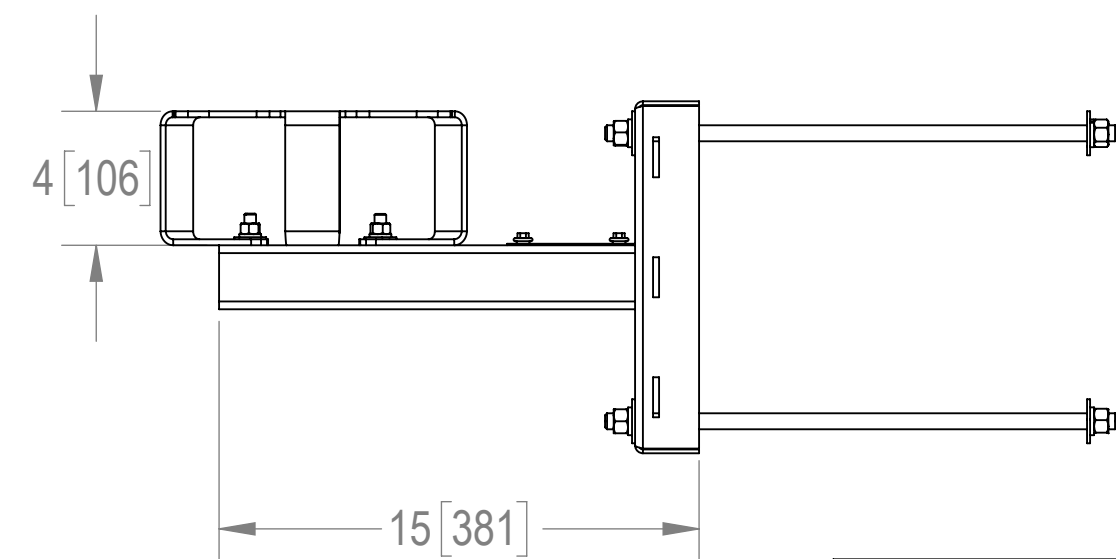
UNIVERSAL ANTENNA MOUNT SET-UP


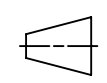


UNIVERSAL ANTENNA MOUNT SET-UP FLIPPED



PANEL ANTENNA MOUNT



COMMSCOPE, INC. OF NORTH CAROLINA				
TITLE SMALL CELL SIDE MOUNT, 15" STANDOFF				
SIZE C	SCALE 1:5	DOCUMENT NO. SCSM1		
 		DRAWING		SHEET 2 OF 2
		VERSION 03	STATUS RE	