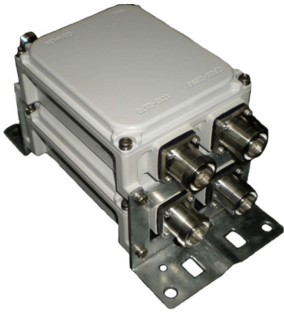


# CBC1726-DL-2X | E11F02P51

---



Twin Diplexer, 1800-2100//2300-2600 MHz, dc bypass on 1800-2100 ports

## Product Classification

**Product Type** Diplexer

## General Specifications

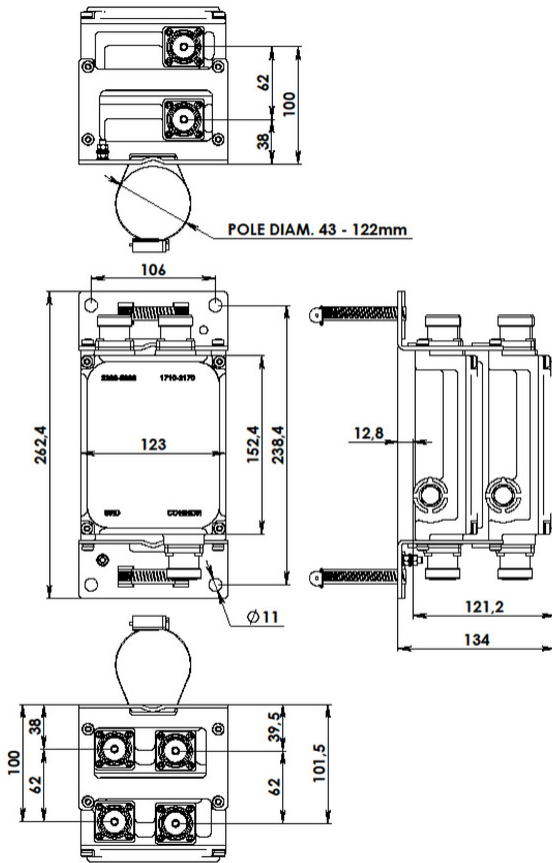
**Product Family** CBC1726  
**Color** Gray  
**Common Port Label** COMM  
**Modularity** 2-Twin  
**Mounting** Pole | Wall  
**Mounting Pipe Hardware** Band clamps (2)  
**RF Connector Interface** 7-16 DIN Female  
**RF Connector Interface Body Style** Medium neck

## Dimensions

**Height** 152.4 mm | 6 in  
**Width** 123 mm | 4.843 in  
**Depth** 121 mm | 4.764 in  
**Ground Screw Diameter** 6 mm | 0.236 in  
**Mounting Pipe Diameter Range** 42.6–122 mm

## Outline Drawing

# CBC1726-DL-2X | E11F02P51



## Electrical Specifications

**Impedance** 50 ohm

## Electrical Specifications, dc Power/Alarm

**dc/AISG Pass-through, combiner** Branch 1

**dc/AISG Pass-through, demultiplexer** Branch 1

**Lightning Surge Current** 3 kA

**Lightning Surge Current Waveform** 10/350 waveform

## Electrical Specifications

<b>Sub-module</b>	1   2	1   2
<b>Branch</b>	1	2

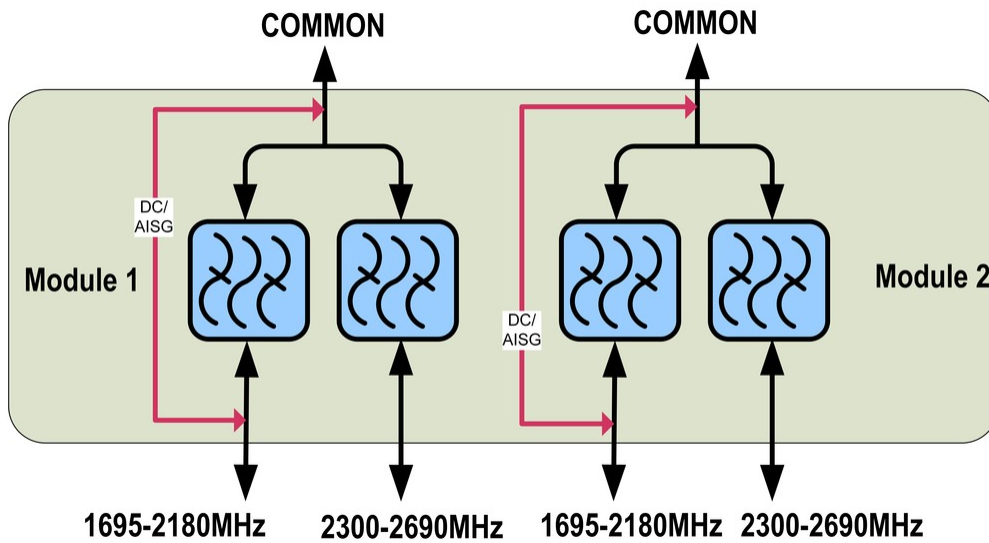
# CBC1726-DL-2X | E11F02P51

<b>Port Designation</b>	1710-2170	2300-2690
<b>License Band</b>	AWS 1700, Band Pass DCS 1800, Band Pass IMT 2100, Band Pass PCS 1900, Band Pass TDD 1900, Band Pass TDD 2000, Band Pass	IMT 2600, Band Pass WCS 2300, Band Pass TDD 2300, Band Pass TDD 2600, Band Pass

## Electrical Specifications, Band Pass

Frequency Range, MHz	1710–2170	2300–2690
<b>Insertion Loss, maximum, dB</b>	0.4	0.4
<b>Insertion Loss, typical, dB</b>	0.3	0.35
<b>Total Group Delay, maximum, ns</b>	30	30
<b>Return Loss, minimum, dB</b>	18	18
<b>Return Loss, typical, dB</b>	20	20
<b>Isolation, minimum, dB</b>	50	50
<b>Input Power, PEP, maximum, W</b>	3500	3500
<b>3rd Order PIM, typical, dBc</b>	-155	-155
<b>3rd Order PIM Test Method</b>	2 x 20 W CW tones	2 x 20 W CW tones

## Block Diagram



## Environmental Specifications

<b>Operating Temperature</b>	-40 °C to +60 °C (-40 °F to +140 °F)
<b>Relative Humidity</b>	Up to 100%

# CBC1726-DL-2X | E11F02P51

---

**Corrosion Test Method** IEC 60068-2-11, 30 days

**Ingress Protection Test Method** IEC 60529:2001, IP67

## Packaging and Weights

**Included** Mounting hardware

**Volume** 2.3 L

**Weight, net** 5 kg | 11.023 lb