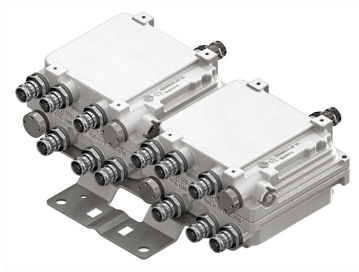


E14F10P60



Ultra Compact Quad Triplexer 1710-1880/1920-2170/2300-2700, with 4.3-10 connectors

- Ideal for small cell applications
- Compact form factor with reduced size and weight
- Suitable for space limited applications like Metro Cell, Lamp Pole, Concealment Solution and Macro Site
- New 4.3-10 connectors for improved PIM performance and size reduction
- Designed for network modernization application, introduction of LTE 4x4 MIMO
- Quad configuration, 4x4 MIMO ready
- dc/AISG blocking on all ports

Product Classification

Product Type Triplexer

General Specifications

Modularity 4-Quad

Dimensions

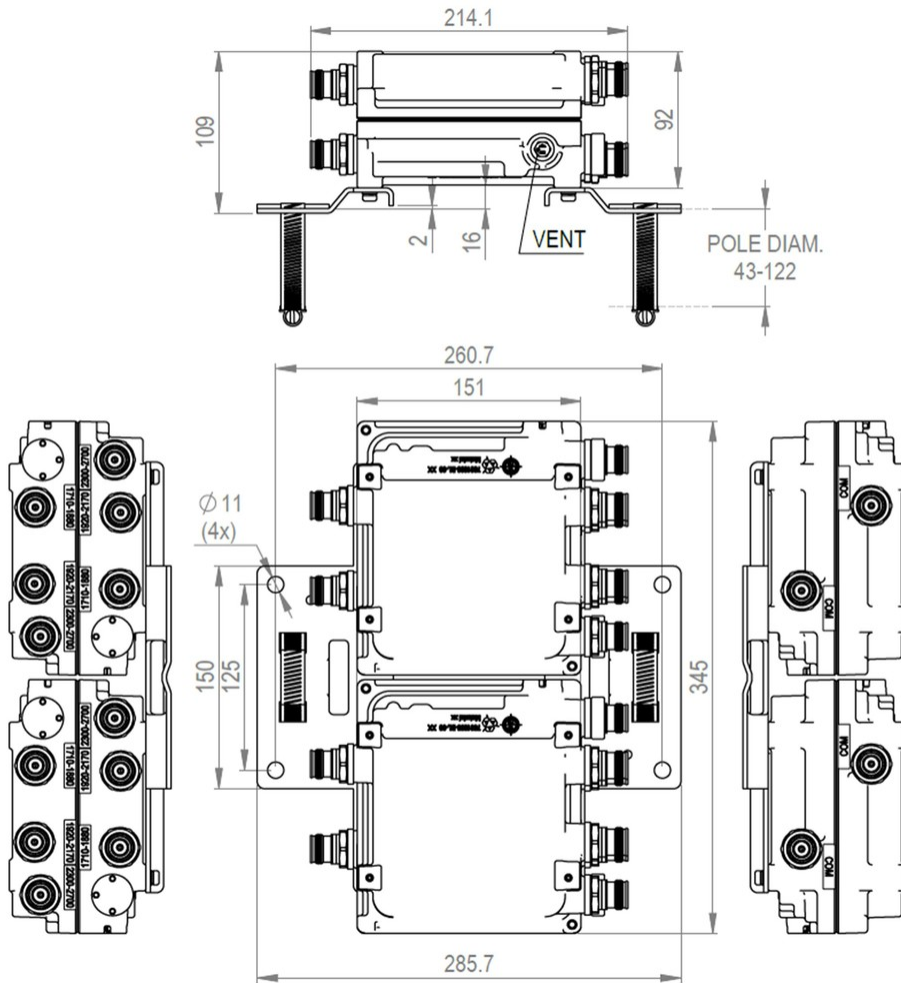
Height 88 mm | 3.465 in

Width 345 mm | 13.583 in

Depth 151 mm | 5.945 in

Outline Drawing

E14F10P60



Electrical Specifications

License Band, Band Pass

DCS 1800 | IMT 2100 | IMT 2600 | TDD 2300 | TDD 2600

Electrical Specifications

Sub-module	1 2	1 2	1 2
Branch	1	2	3
Port Designation	1800	2100	2300-2700
License Band	DCS 1800, Band Pass	IMT 2100, Band Pass	TDD 2300, Band Pass TDD 2600, Band Pass IMT 2600, Band Pass

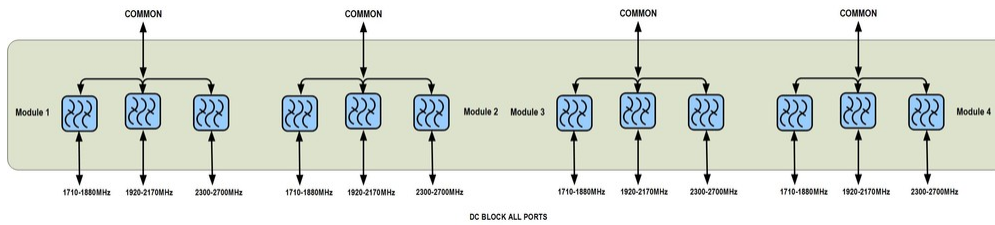
Electrical Specifications, Band Pass

Frequency Range, MHz	1710-1880	1920-2170	2300-2700
----------------------	-----------	-----------	-----------

E14F10P60

Insertion Loss, typical, dB	0.25	0.3	0.2
Return Loss, typical, dB	22	22	22
Isolation, typical, dB	38	38	38
Input Power, RMS, maximum, W	125	125	125
Input Power, PEP, maximum, W	1200	1200	1200
3rd Order PIM, typical, dBc	-157	-157	-157
3rd Order PIM Test Method	Two +43 dBm carriers	Two +43 dBm carriers	Two +43 dBm carriers

Block Diagram



Packaging and Weights

Volume	4 L
Weight, with mounting hardware	6.2 kg 13.669 lb
Weight, without mounting hardware	5.2 kg 11.464 lb

Regulatory Compliance/Certifications

Agency	Classification
ISO 9001:2015	Designed, manufactured and/or distributed under this quality management system