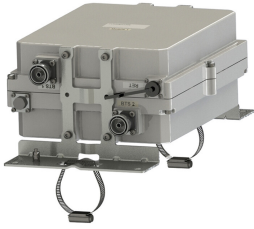


# E15R30P01

---



Dual Band Tower Mounted Amplifier, 800//900 MHz, 12 dB, 2 BTS & 2 ANT ports, AISG 2> 2N with 1 RET connector (2 device with 2 sub-units)

## Product Classification

**Product Type** 1-BTS:2-ANT (Diplex) | Tower mounted amplifier

## General Specifications

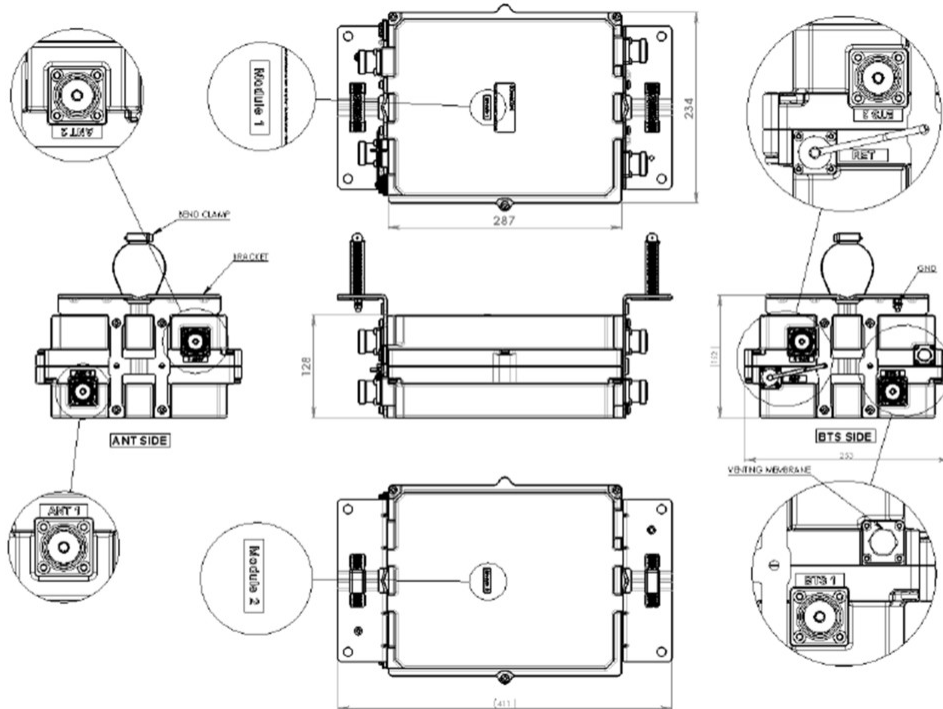
**Color** Gray  
**Modularity** 2-Twin  
**Mounting Pipe Hardware** Band clamps (2)  
**RF Connector Interface** 7-16 DIN Female

## Dimensions

**Height** 287 mm | 11.299 in  
**Width** 234 mm | 9.213 in  
**Depth** 128 mm | 5.039 in  
**Mounting Pipe Diameter Range** 50–120 mm

## Outline Drawing

# E15R30P01



## Electrical Specifications

**License Band, LNA** CEL 900 | EDD 800

## Electrical Specifications, dc Power/Alarm

**dc Switching/Redundancy** Yes

**Lightning Surge Current** 10 kA

**Lightning Surge Current Waveform** 8/20 waveform

**Voltage** 7–30 Vdc

**Alarm Current, CWA Mode** 190 mA ±10 mA

## Electrical Specifications, AISG

**AISG Connector** 8-pin DIN Female

**AISG Connector Standard** IEC 60130-9

**Protocol** AISG 2.0

**Voltage, AISG Mode** 10–30 Vdc

## Electrical Specifications

**Sub-module**

1 | 2

1 | 2

# E15R30P01

<b>Branch</b>	1	2
<b>Port Designation</b>	ANT 800	ANT 900
<b>License Band</b>	EDD 800, LNA	CEL 900, LNA
<b>Return Loss, typical, dB</b>	20	20

## Electrical Specifications Rx (Uplink)

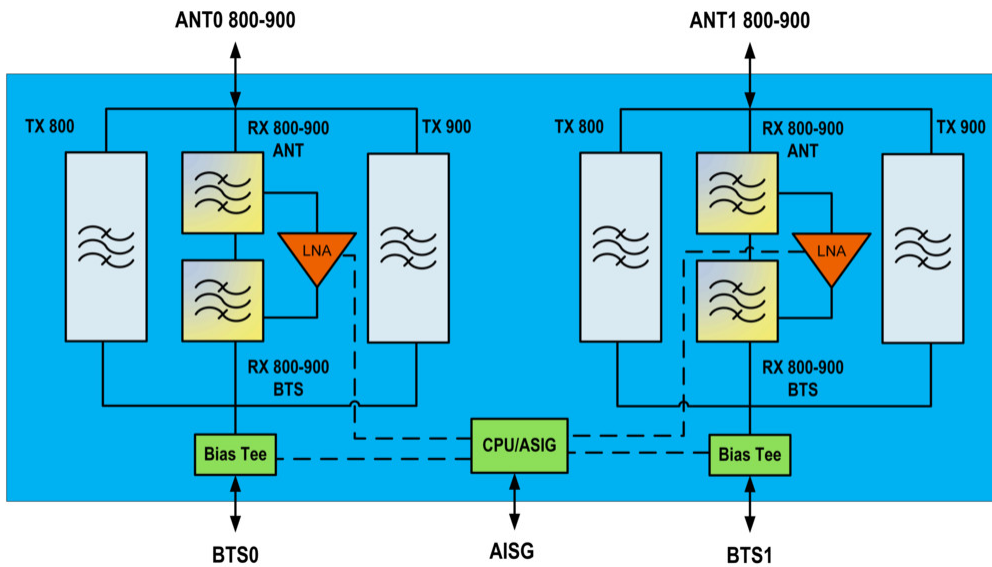
<b>Frequency Range, MHz</b>	<b>832–862</b>	<b>880–915</b>
<b>Bandwidth, MHz</b>	30	35
<b>Gain, nominal, dB</b>	12	12
<b>Noise Figure, typical, dB</b>	1.25	1.25
<b>Group Delay Variation, maximum, ns</b>	110	110
<b>Group Delay Variation Bandwidth, MHz</b>	5	5
<b>Total Group Delay, maximum, ns</b>	240	250
<b>Return Loss, minimum, dB</b>	16	16
<b>Insertion Loss - Bypass Mode, typical, dB</b>	2.7	2.7

## Electrical Specifications Tx (Downlink)

<b>Frequency Range, MHz</b>	<b>791–821</b>	<b>925–960</b>
<b>Bandwidth, MHz</b>	30	35
<b>Insertion Loss, maximum, dB</b>	0.85	0.85
<b>Insertion Loss, typical, dB</b>	0.75	0.75
<b>Group Delay Variation, maximum, ns</b>	45	50
<b>Group Delay Variation Bandwidth, MHz</b>	5	5
<b>Total Group Delay, maximum, ns</b>	110	110
<b>Return Loss, minimum, dB</b>	18	18
<b>Return Loss, typical, dB</b>	20	20
<b>Input Power, RMS, maximum, W</b>	200	200
<b>Input Power, PEP, maximum, W</b>	2000	2000
<b>3rd Order PIM, typical, dBc</b>	-156	-156
<b>3rd Order PIM Test Method</b>	Two +43 dBm carriers	Two +43 dBm carriers

## Block Diagram

# E15R30P01



## Environmental Specifications

<b>Operating Temperature</b>	-40 °C to +65 °C (-40 °F to +149 °F)
<b>Relative Humidity</b>	Up to 100%
<b>Corrosion Test Method</b>	IEC 60068-2-11, 30 days
<b>Ingress Protection Test Method</b>	IEC 60529:2001, IP67

## Packaging and Weights

<b>Included</b>	Mounting hardware
<b>Volume</b>	8.6 L
<b>Weight, net</b>	11.3 kg   24.912 lb

## Regulatory Compliance/Certifications

<b>Agency</b>	<b>Classification</b>
ISO 9001:2015	Designed, manufactured and/or distributed under this quality management system

## \* Footnotes

<b>License Band, LNA</b>	License Bands that have RxUplink amplification
--------------------------	--