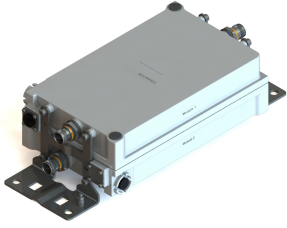


# E14R00P54

---



Dual Band Tower Mounted Amplifier, 1800//2100 MHz, 12 dB, 2 BTS & 2 ANT ports, with 4.3-10 connectors, AISG with 1 RET connector (1 device with 2 sub-units each)

- Industry leading PIM performance
- Single AISG with 1 RET connector
- 2 input ports and 2 output ports
- Designed to boost UP-Link Coverage and KPIs
- New 4.3-10 connectors for improved PIM performance and size reduction
- 1 device with 2 sub-units

## Product Classification

**Product Type** 2-BTS:2-ANT (Uniplex) | Tower mounted amplifier

## General Specifications

**Color** Gray

**Modularity** 2-Twin

**Mounting** Pole | Wall

**Mounting Pipe Hardware** Band clamps (2)

**RF Connector Interface** 4.3-10 Female

## Dimensions

**Height** 280 mm | 11.024 in

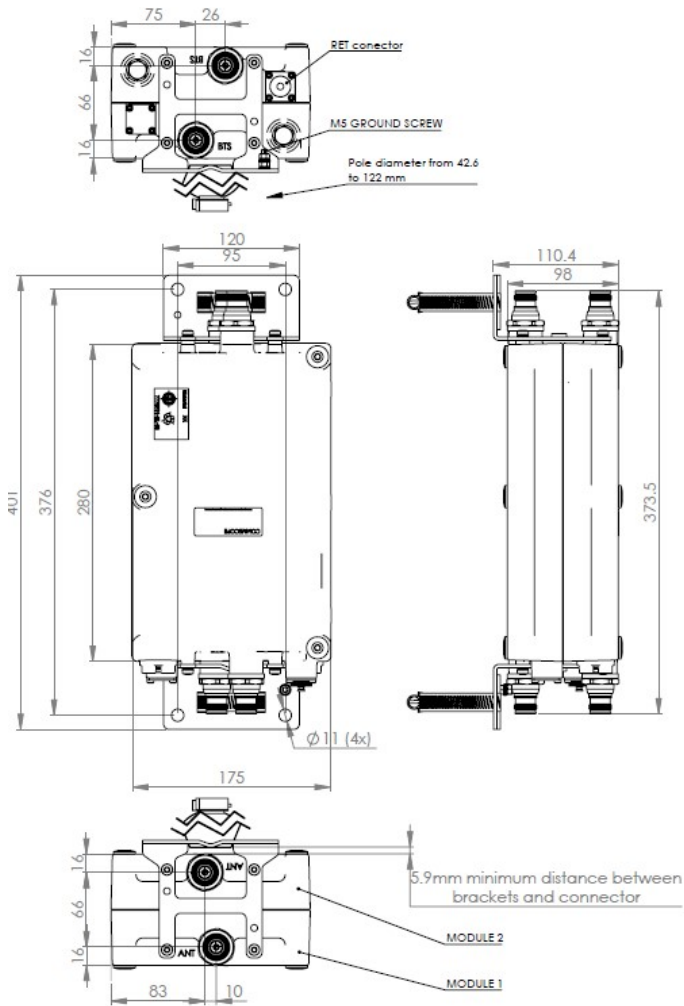
**Width** 175 mm | 6.89 in

**Depth** 98 mm | 3.858 in

**Mounting Pipe Diameter Range** 42.6–122 mm

## Outline Drawing

# E14R00P54



## Electrical Specifications

**License Band, LNA** DCS 1800 | IMT 2100

## Electrical Specifications, dc Power/Alarm

**dc Switching/Redundancy** Yes  
**Lightning Surge Current** 10 kA  
**Lightning Surge Current Waveform** 8/20 waveform  
**Voltage** 7–30 Vdc

## Electrical Specifications, AISG

**AISG Connector** 8-pin DIN Female  
**AISG Connector Standard** IEC 60130-9

# E14R00P54

<b>Protocol</b>	AISG 2.0
<b>Voltage, AISG Mode</b>	10–30 Vdc

## Electrical Specifications

<b>Sub-module</b>	<b>1   2</b>	<b>1   2</b>
<b>Branch</b>	1	1
<b>Port Designation</b>	ANT	ANT
<b>License Band</b>	DCS 1800, LNA	IMT 2100, LNA
<b>Return Loss, typical, dB</b>	20	20
<b>Return Loss - Bypass Mode, typical, dB</b>	16	16

## Electrical Specifications Rx (Uplink)

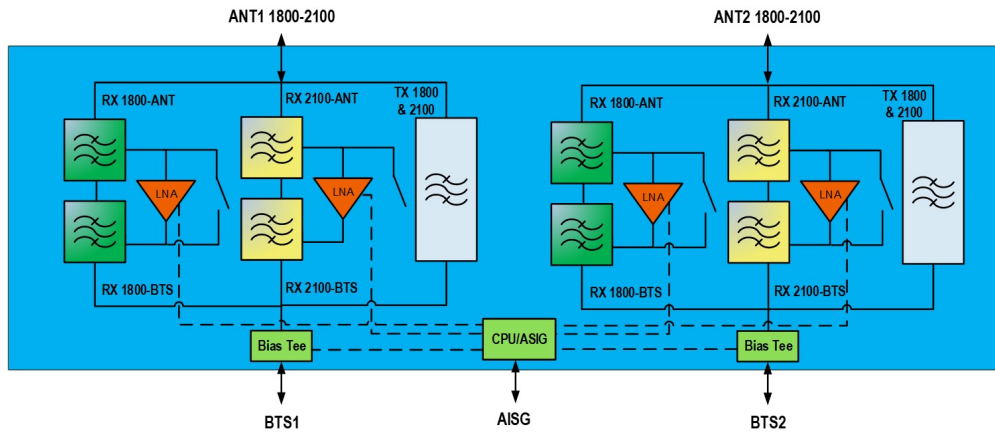
<b>Frequency Range, MHz</b>	<b>1710–1785</b>	<b>1920–1980</b>
<b>Bandwidth, MHz</b>	75	60
<b>Gain, nominal, dB</b>	12	12
<b>Noise Figure, typical, dB</b>	1.7	1.6
<b>Total Group Delay, typical, ns</b>	120	80
<b>Insertion Loss - Bypass Mode, typical, dB</b>	2.5	2.3

## Electrical Specifications Tx (Downlink)

<b>Frequency Range, MHz</b>	<b>1805–1880</b>	<b>2110–2170</b>
<b>Bandwidth, MHz</b>	75	60
<b>Insertion Loss, typical, dB</b>	0.5	0.3
<b>Total Group Delay, typical, ns</b>	25	15
<b>Return Loss, typical, dB</b>	20	20
<b>Input Power, RMS, maximum, W</b>	200	200
<b>Input Power, PEP, maximum, W</b>	1000	1000
<b>3rd Order PIM, typical, dBc</b>	-160	-162
<b>3rd Order PIM Test Method</b>	Two +43 dBm carriers	Two +43 dBm carriers

## Block Diagram

# E14R00P54



## Environmental Specifications

<b>Operating Temperature</b>	-40 °C to +65 °C (-40 °F to +149 °F)
<b>Corrosion Test Method</b>	IEC 60068-2-11, 30 days
<b>Environmental Test Method</b>	ETSI EN 300 019-1-4
<b>Ingress Protection Test Method</b>	IEC 60529:2001, IP67

## Packaging and Weights

<b>Included</b>	Mounting hardware
<b>Volume</b>	4.8 L
<b>Weight, net</b>	6.5 kg   14.33 lb
<b>Weight, without mounting hardware</b>	6 kg   13.228 lb

## \* Footnotes

<b>License Band, LNA</b>	License Bands that have RxUplink amplification
--------------------------	--