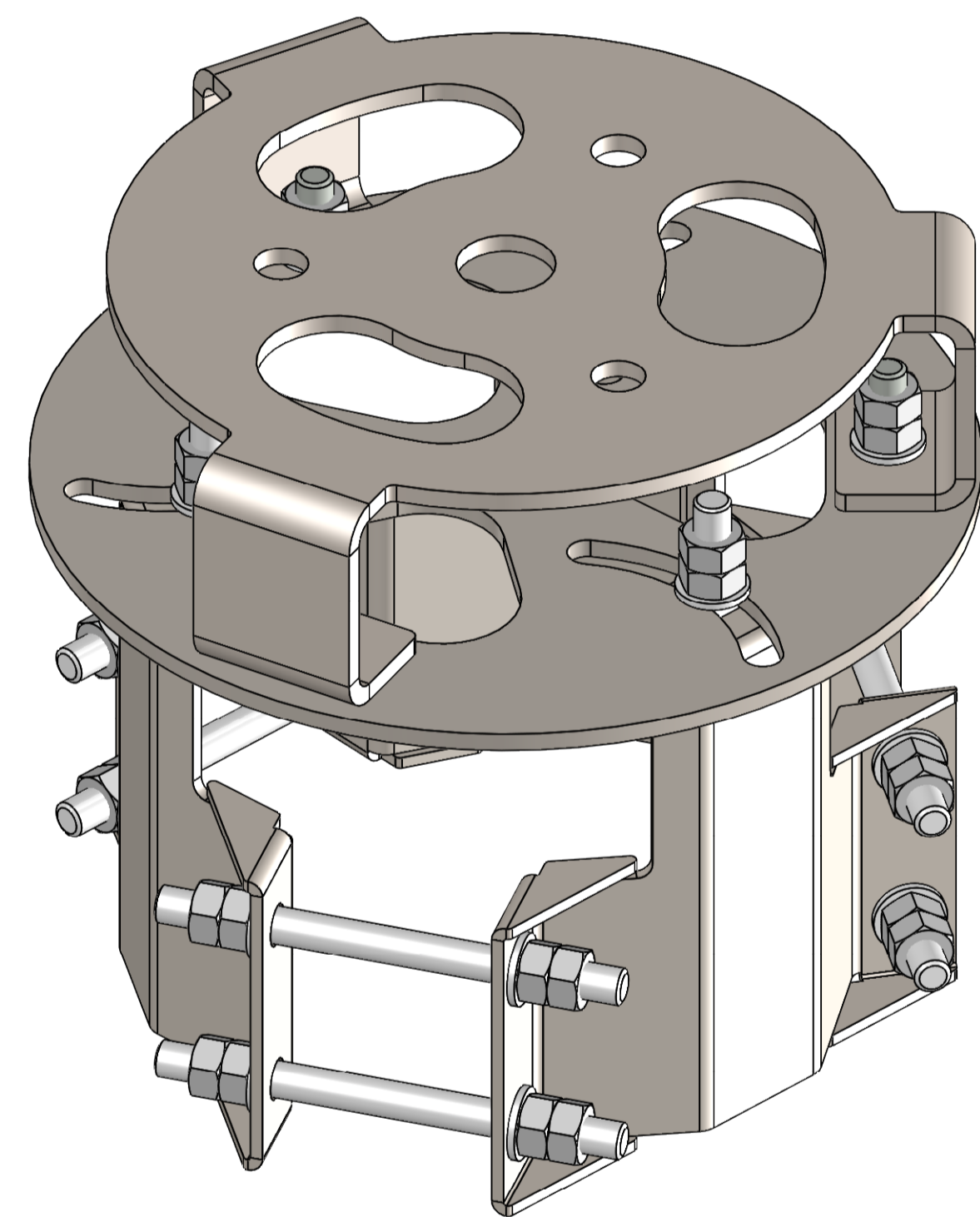


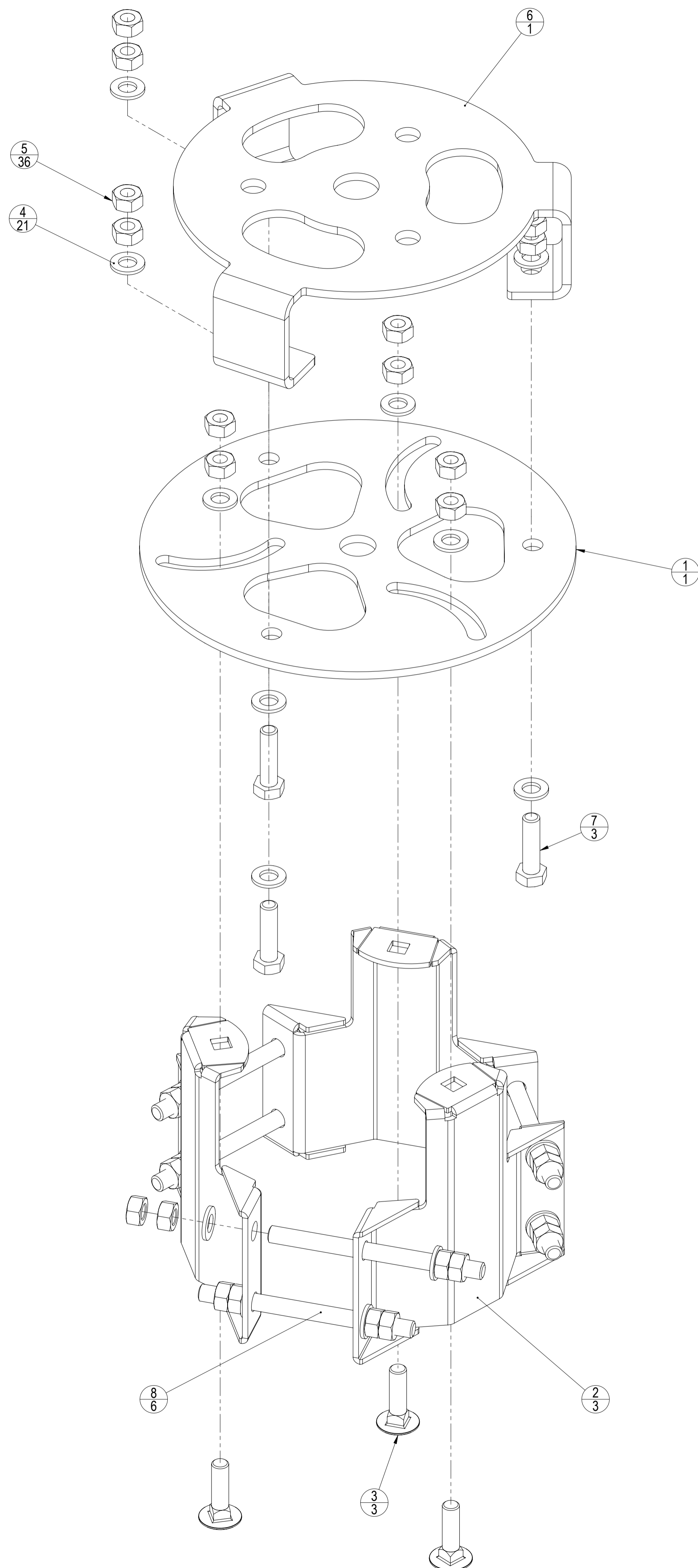
NOTES:

1. DIMENSIONS ARE IN INCHES [MILLIMETERS].

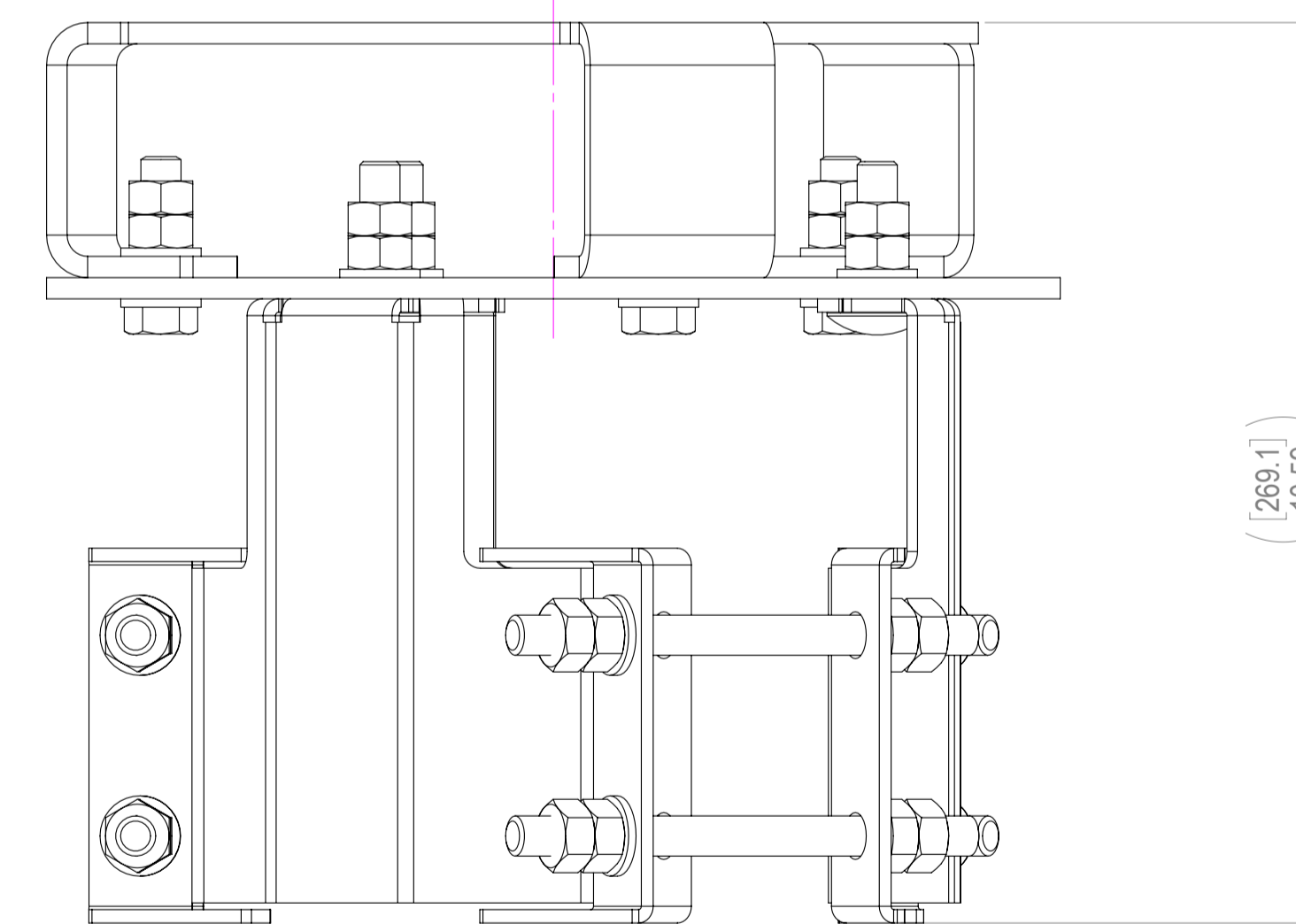
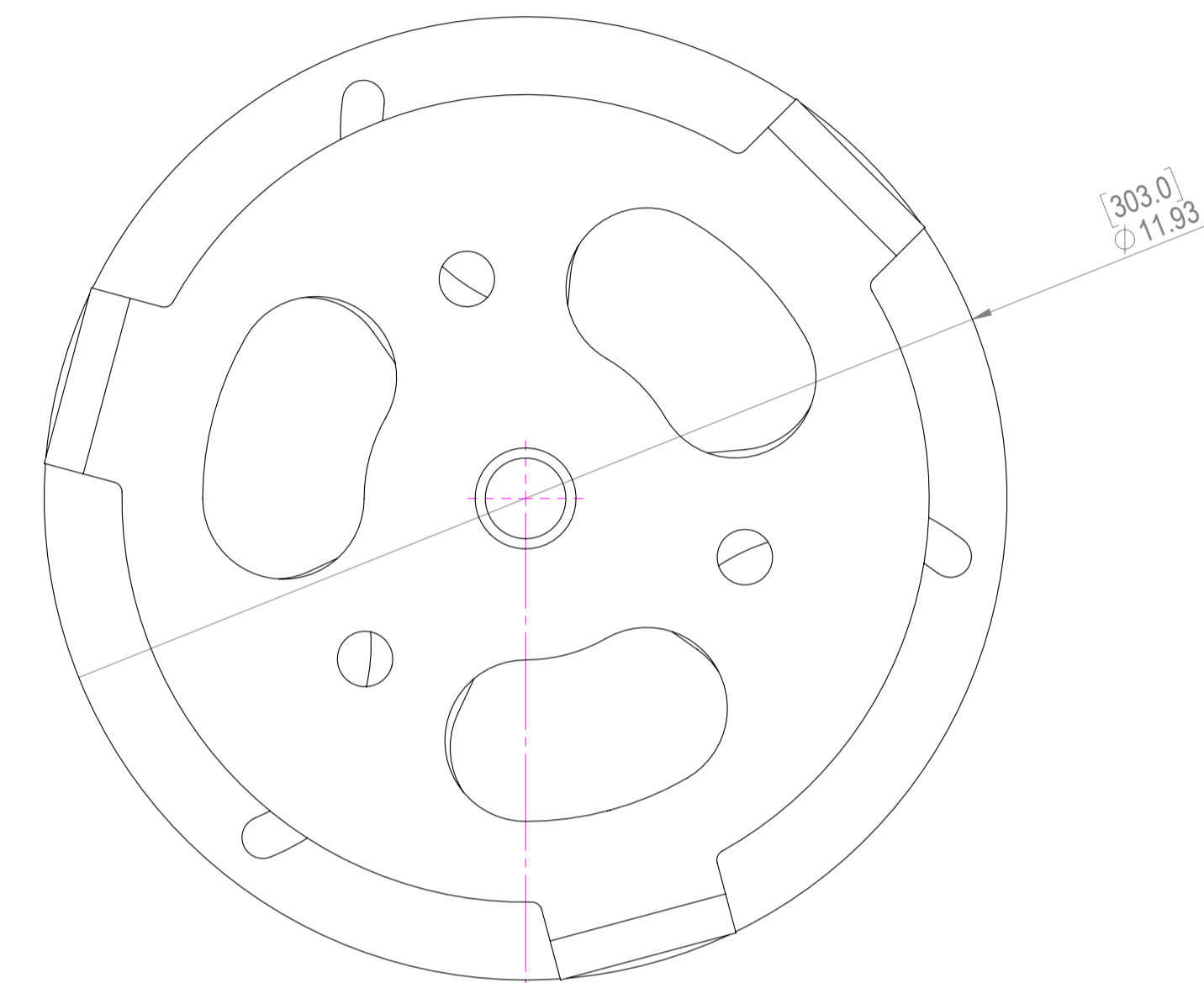
REV.	ECN	DESCRIPTION	BY	DATE
A	8000031061	INITIAL RELEASE	WJW	14-AUG-2018



POLE TOP MOUNTING KIT - SHOWN FULLY ASSEMBLED



POLE TOP MOUNTING KIT - EXPLODED VIEW



ITEM NO.	PART NUMBER	DESCRIPTION	QTY.
1	860644741	MC TOP MOUNTING PLATE	1
2	860644740	PIPE CLAMP BRACKET, 1.50X93.6X52MM	3
3	100936-11	BOLT, CARRIAGE, M12X45, STL, GALV	3
4	100521-47	WSHR, FLAT, M12, 13X28X2.5, STL, GALV	21
5	100526-45	NUTS, HEX, M12, STL, GALV	36
6	860644742	ANTENNA MOUNT BRACKET, TRIPOD	1
7	100534-265	SCR, HCS, HEX, M12X45, STL, GALV	3
8	100555-14	STUD, THREADED, M12, 155, STL, GALV	6

COMMSCOPE, INC. OF NORTH CAROLINA

TOLERANCES		SAP MATERIAL MASTER	
0 PLACE X ±	2 PLACE XX ±	860636779-2	
1 PLACE X ±	ANGLES ±		
FINISH		MATERIAL	
N/A		SEE BOM	
UNLESS OTHERWISE SPECIFIED DIMENSIONS ARE IN MILLIMETERS DIMENSIONS IN PARENTHESES ARE HANDBOOK TECHNICAL DRAWINGS VOLUMES 1 & 2, THIRD EDITION (2002)		NAME	DATE
		CE WJW	08/03/2018
		RW KM1068	08/29/2018
		RV	
		AD RD1048	10/05/2018
		RE RD1048	10/05/2018
		ECN 000007038412	
TITLE		DOCUMENT NO.	
POLE TOP MOUNG KIT, 6" - 9.5" METAL POLE		860636779-2	
SCALE		DRAWING	
1:2		VERSION	REVISION
SIZE		WORK AREA	24
A1		STATUS	RE
HEIGHT 12		VERSION	00
LENGTH 12		REVISION	A
WIDTH 12		STATUS	RE
		REVISION	A
		SHEET	1 OF 1