

4

3

2

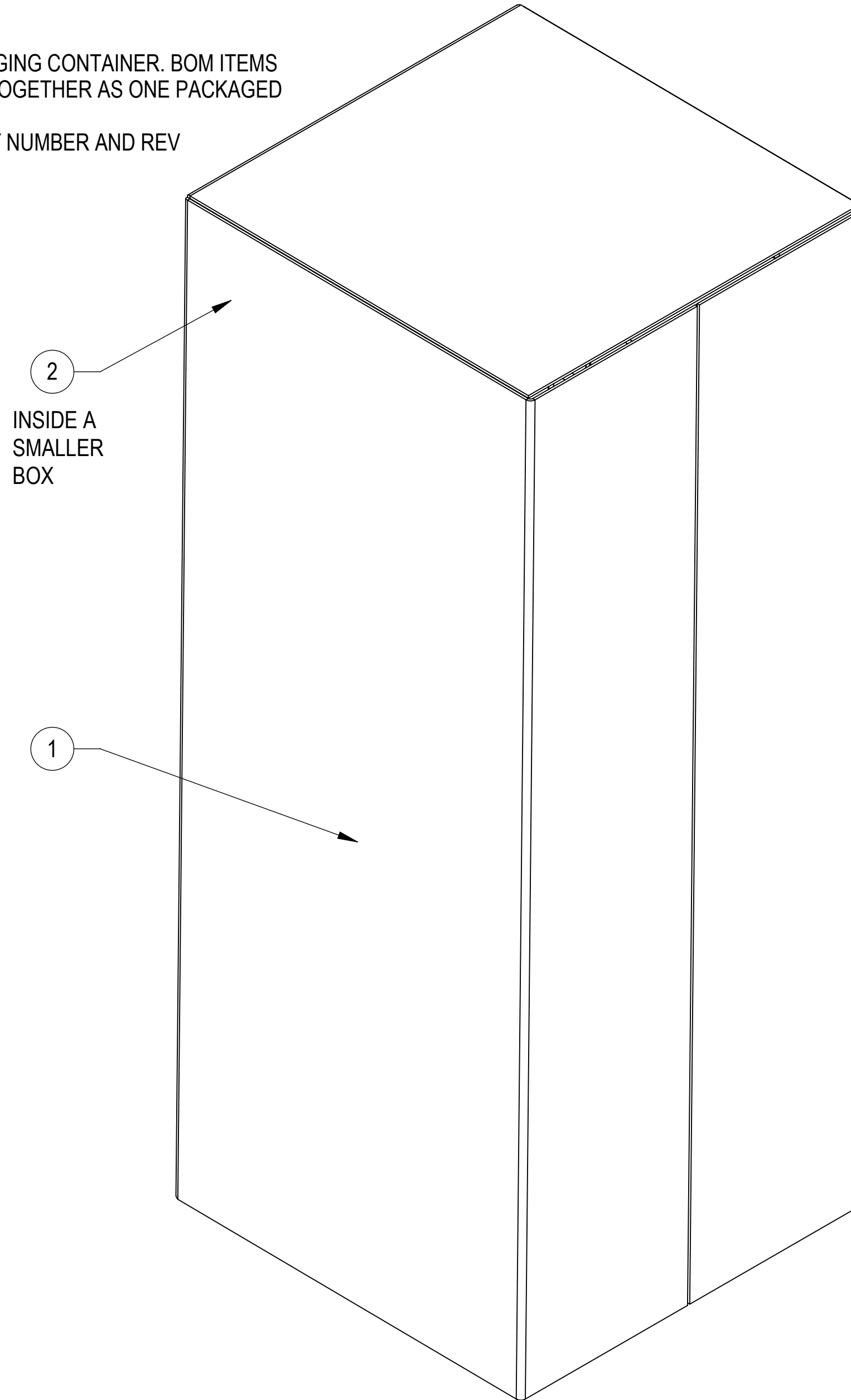
1

- 1. GENERAL NOTES
- 2. DESIGN NOTES
- 3. MANUFACTURING/SPECIAL REQUIREMENTS
- 4. TEST
- 5. PACKAGING

5.1 ALL ITEMS SHALL BE INCLUDED IN THE SAME PACKAGING CONTAINER. BOM ITEMS THAT ARE SEPARATELY PACKAGED SHALL BE SECURED TOGETHER AS ONE PACKAGED ITEM FOR FINAL DELIVERY.

5.2 PACKAGING SHALL BE CLEARLY MARKED WITH PART NUMBER AND REV

REVISIONS				
REV.	ECN	DESCRIPTION	BY	DATE
A	8000042542	INITIAL RELEASE	CB1074	11/05/2020



COMMSCOPE, INC. OF NORTH CAROLINA											
TOLERANCES					SAP MATERIAL MASTER						
1 PLACE .X ± N/A			3 PLACE .XXX ± N/A		860658288-KIT-XX						
2 PLACE .XX ± N/A			ANGLES ± N/A								
FINISH SEE BOM					MATERIAL SEE BOM						
UNLESS OTHERWISE SPECIFIED DIMENSIONS ARE IN INCHES INTERPRET PER ANSI Y 14.5M-1994	NAME		DATE		12IN RADOME, ANTENNA MNT KIT						
	CE CB1074		10/15/2020								
	RW CB1074		11/05/2020								
	RV										
	AD JP1130		11/05/2020								
RE CB1074		11/05/2020		SCALE 1:8		DOCUMENT NO. 860658288-KIT-XX					
ECN 008000042542		SIZE WORK AREA 24		MODEL			DRAWING			SHEET 1 OF 1	
C				VERSION 00		STATUS RE		REVISION A			VERSION 00 STATUS RE REVISION A

DENSITY		lbs/in ³
MASS	17.08	lbs
VOLUME	893.78	in ³
SURFACE AREA	12896.41	in ²
HEIGHT		
LENGTH		
WIDTH		

ITEM	PART NO.	DESCRIPTION	QTY.
1	860658288-XX	12IN RADOME AND HARDWARE KIT	1
2	MTM1127-0002	12IN PT ANTENNA MOUNT KIT	1

© 2020 CommScope, Inc. Confidential

4

3

2

1

4

3

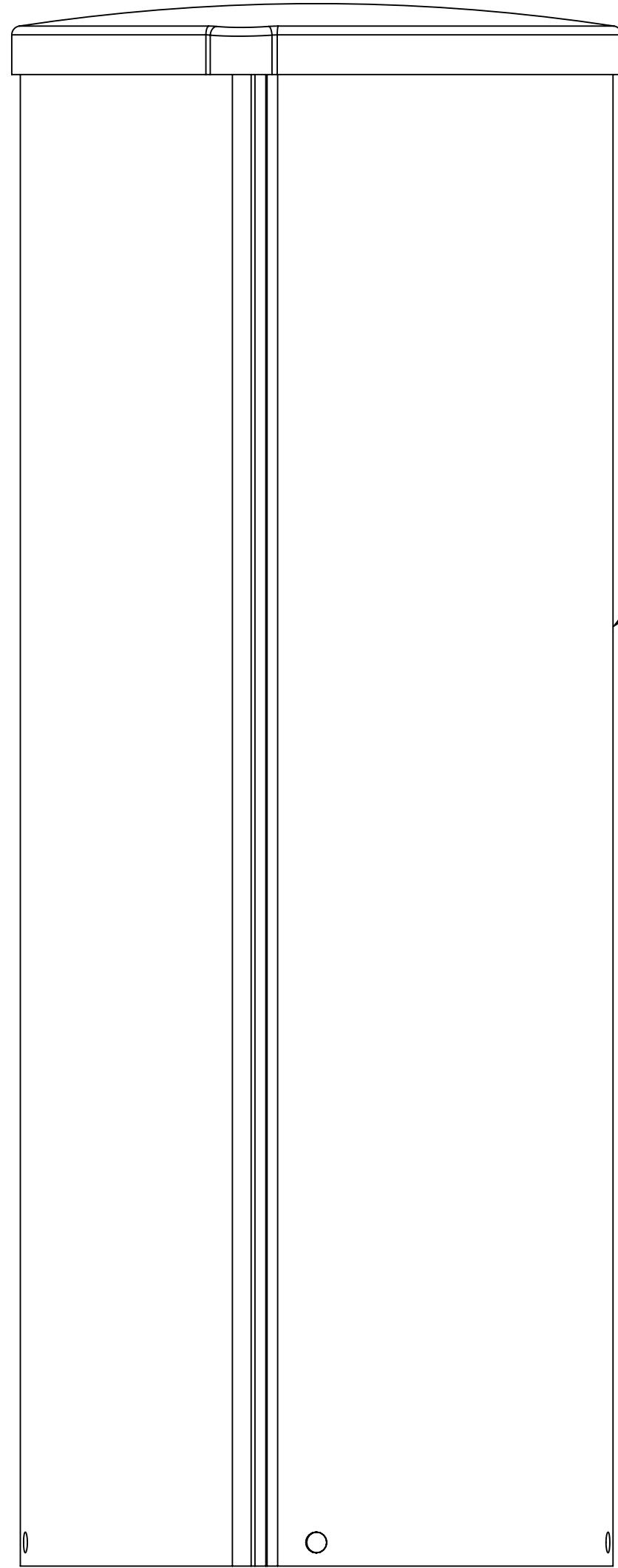
2

1

- 1. GENERAL NOTES
- 2. DESIGN NOTES
- 3. MANUFACTURING/SPECIAL REQUIREMENTS
- 4. TEST
- 5. PACKAGING

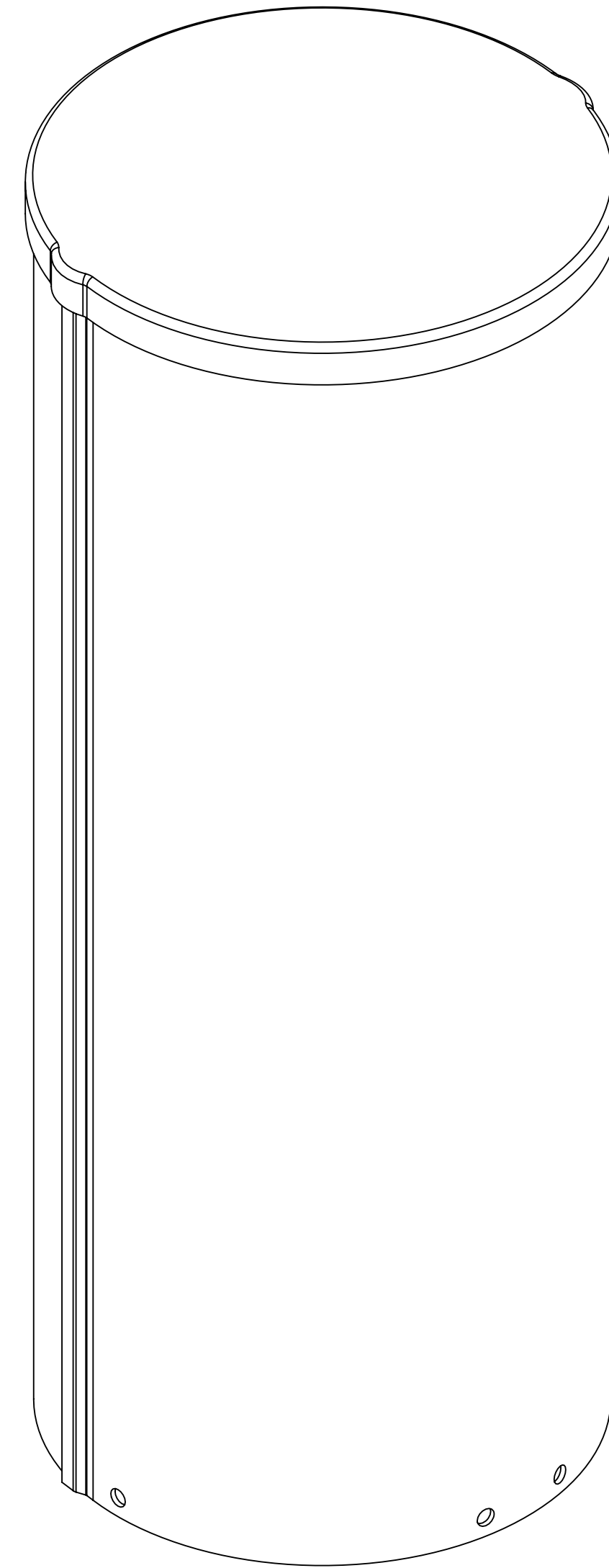
- 5.1 WRAP THE UNIT IN PROTECTIVE FOAM WRAP BEFORE PACKAGING
- 5.2 PACKAGE IN POLYBAG AND PLACE INSIDE THE UNIT FOR SHIPPING
- 5.3 PRINTED DOCUMENT TO BE INCLUDED IN THE PACKAGE

REVISIONS				
REV.	ECN	DESCRIPTION	BY	DATE
A	8000042542	INITIAL RELEASE	CB1074	11/05/2020



1

2



INSTALL RADOME COVER TO THE POLETOP USING 6 M6 SEM SCREWS PROVIDED WITH THE KIT TO PREVENT LOOSENING, USE OF MARINE GRADE THREADLOCKER IS SUGGESTED

COMMSCOPE, INC. OF NORTH CAROLINA									
TOLERANCES					SAP MATERIAL MASTER				
1 PLACE .X ± N/A			3 PLACE .XXX ± N/A		860658288-XX				
2 PLACE .XX ± N/A			ANGLES ± N/A						
FINISH SEE BOM					MATERIAL SEE BOM				
UNLESS OTHERWISE SPECIFIED DIMENSIONS ARE IN INCHES INTERPRET PER ANSI Y 14.5M-1994	NAME		DATE		TITLE				
	CE CB1074		9/17/2020		12IN RADOME AND HARDWARE KIT				
	RW CB1074		11/05/2020						
	RV								
	AD JP1130		11/05/2020		SCALE		DOCUMENT NO.		
RE CB1074		11/05/2020		1:8		860658288-XX			
ECN 008000042542				SIZE		WORK AREA		24	
HEIGHT				MODEL		DRAWING		SHEET	
LENGTH				VERSION		STATUS		REVISION	
WIDTH				C		00		RE	
				00		RE		A	
				00		RE		A	
				00		RE		A	

ITEM	PART NO.	DESCRIPTION	QTY.	NOTES
1	MTM1127-1100-XX	12IN RADOME - PAINTED	1	5.1
2	460155492	SEMS, HCS M6 X 16MM WITH CAPTIVE WASHERS	6	5.2
3	860658288-XX	REFERENCE DOCUMENT	1	5.3

DENSITY		lbs/in ³
MASS	9.68	lbs
VOLUME	651.88	in ³
SURFACE AREA	10827.20	in ²

4

3

2

1

4

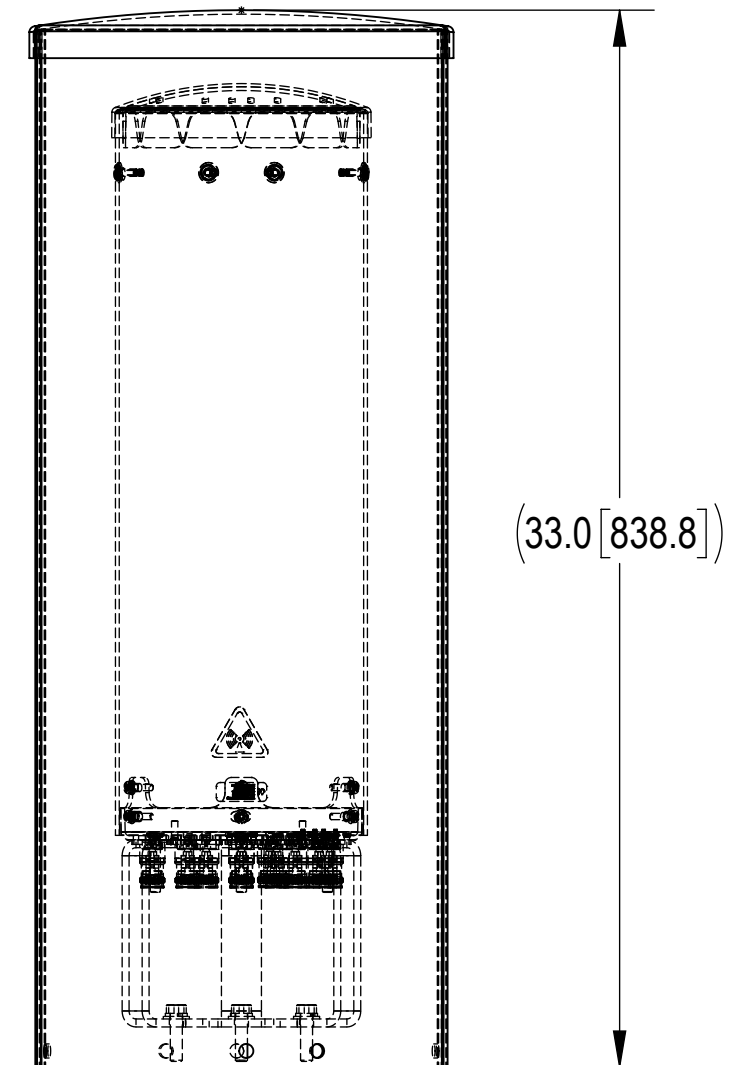
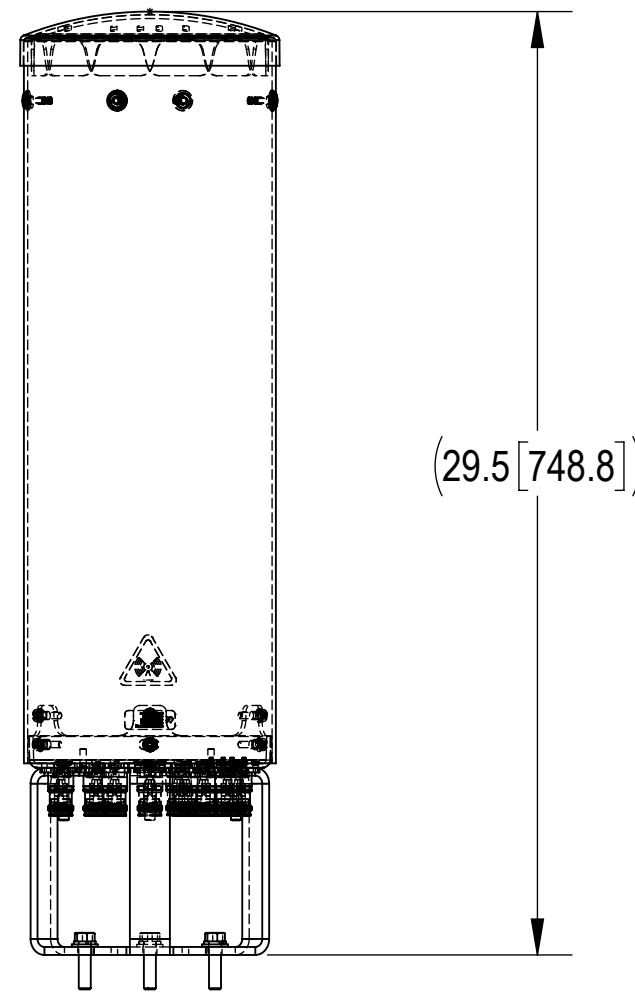
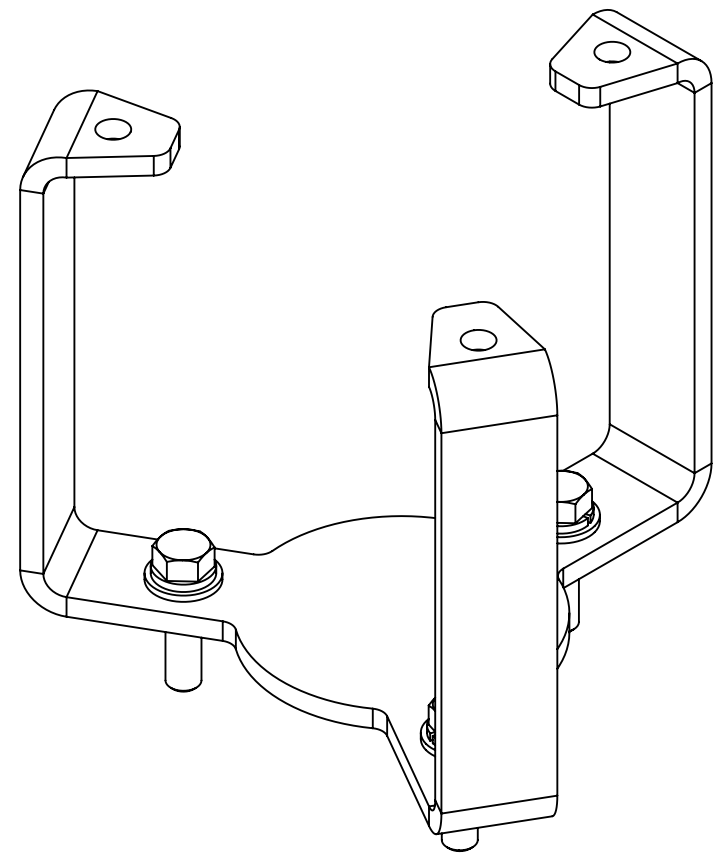
3

2

1

D

D



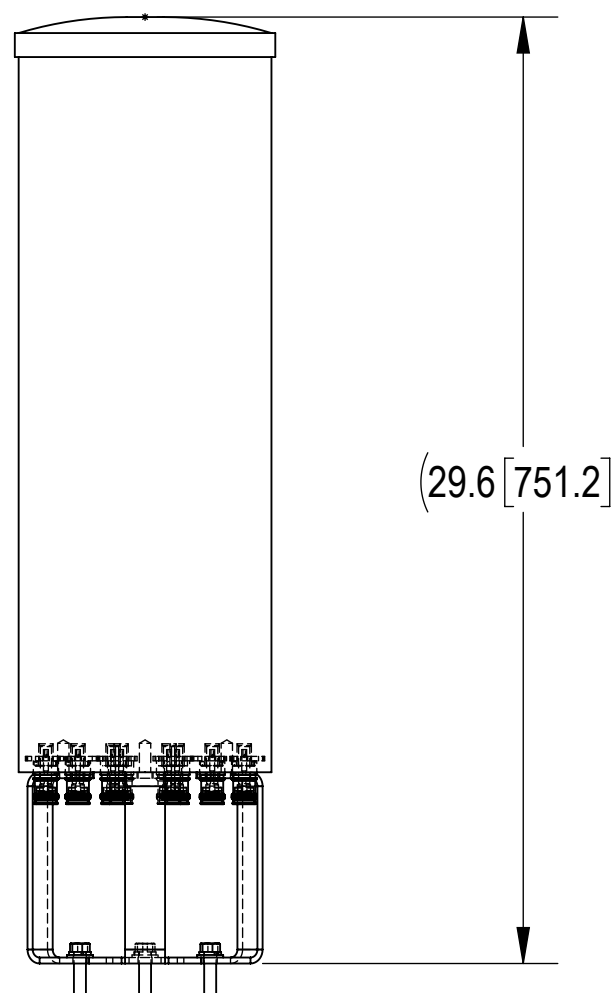
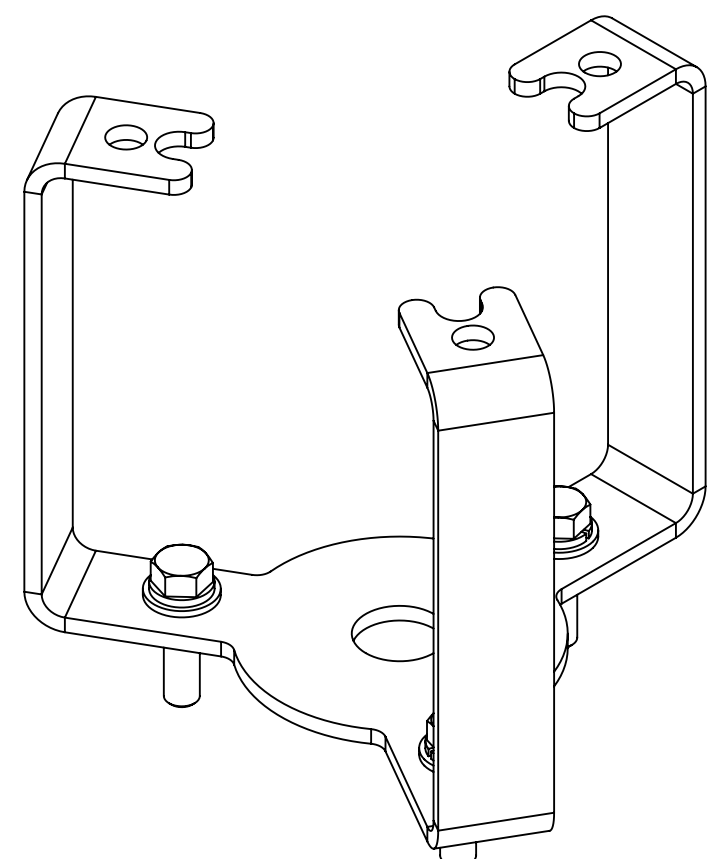
INSTALL BRACKET SHOWN TO THE POLETOP
USING 3 SETS OF 3/8" HW SUPPLIED WITH THE KIT

C

C

B

B



INSTALL BRACKET SHOWN TO THE POLETOP
USING 3 SETS OF 3/8" HW SUPPLIED WITH THE KIT

A

A

4

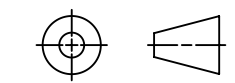
3

2

1

COMMSCOPE, INC. OF NORTH CAROLINA				
TITLE 12IN PT ANTENNA MOUNT KIT				
SIZE C	SCALE 1:4	DOCUMENT NO. MTM1127-0002		
		DRAWING		SHEET
		VERSION	STATUS	REVISION
		00	RE	A
				2 OF 3

© 2020 CommScope, Inc. Confidential



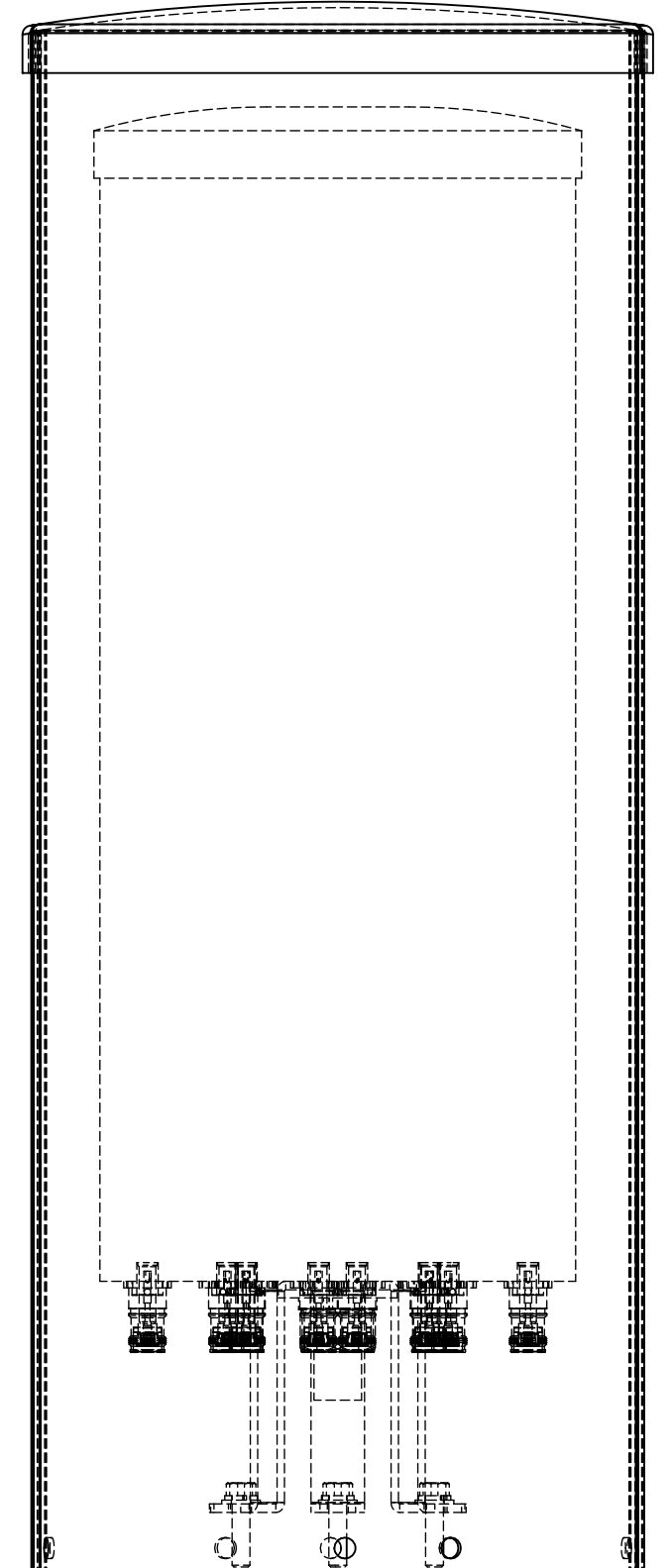
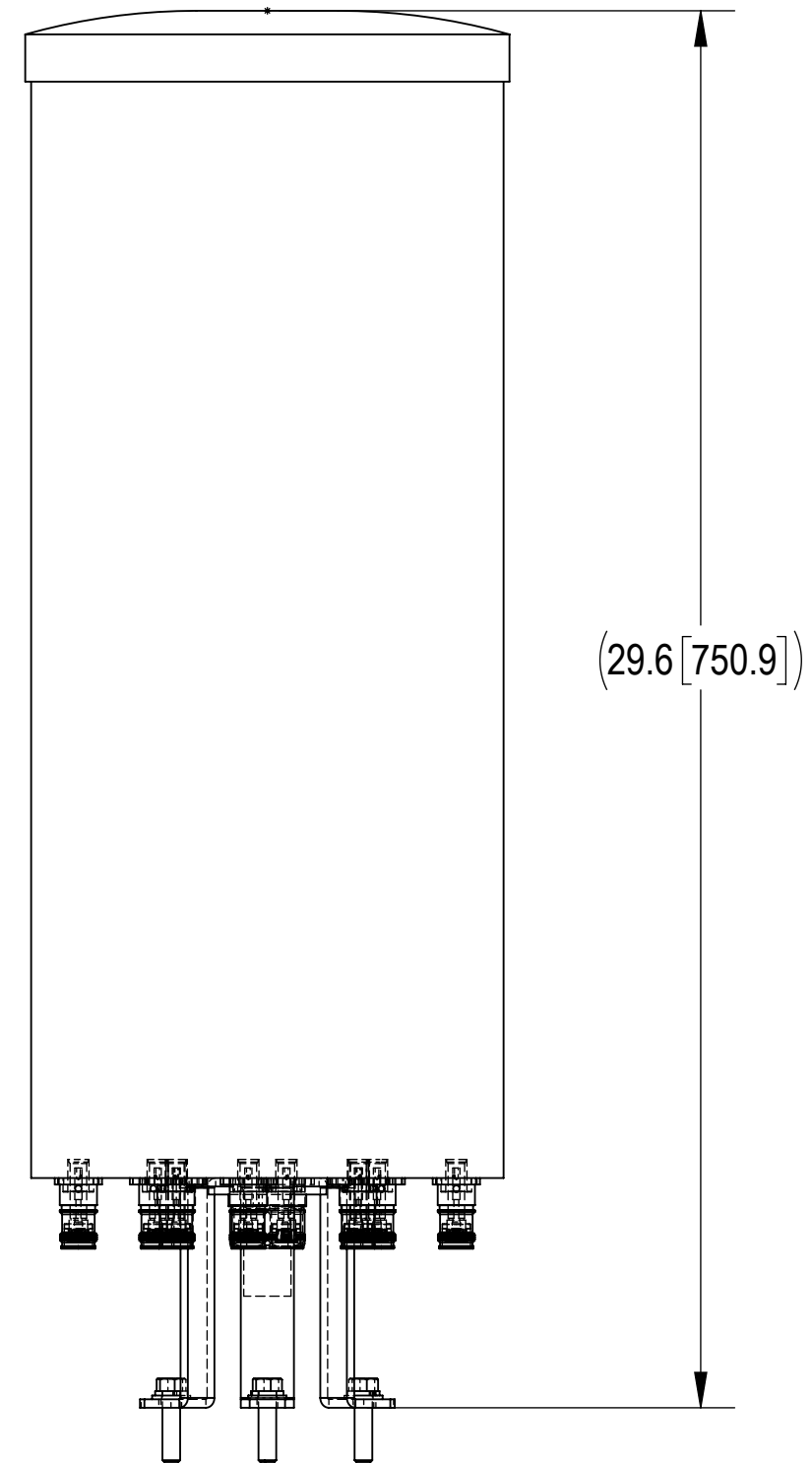
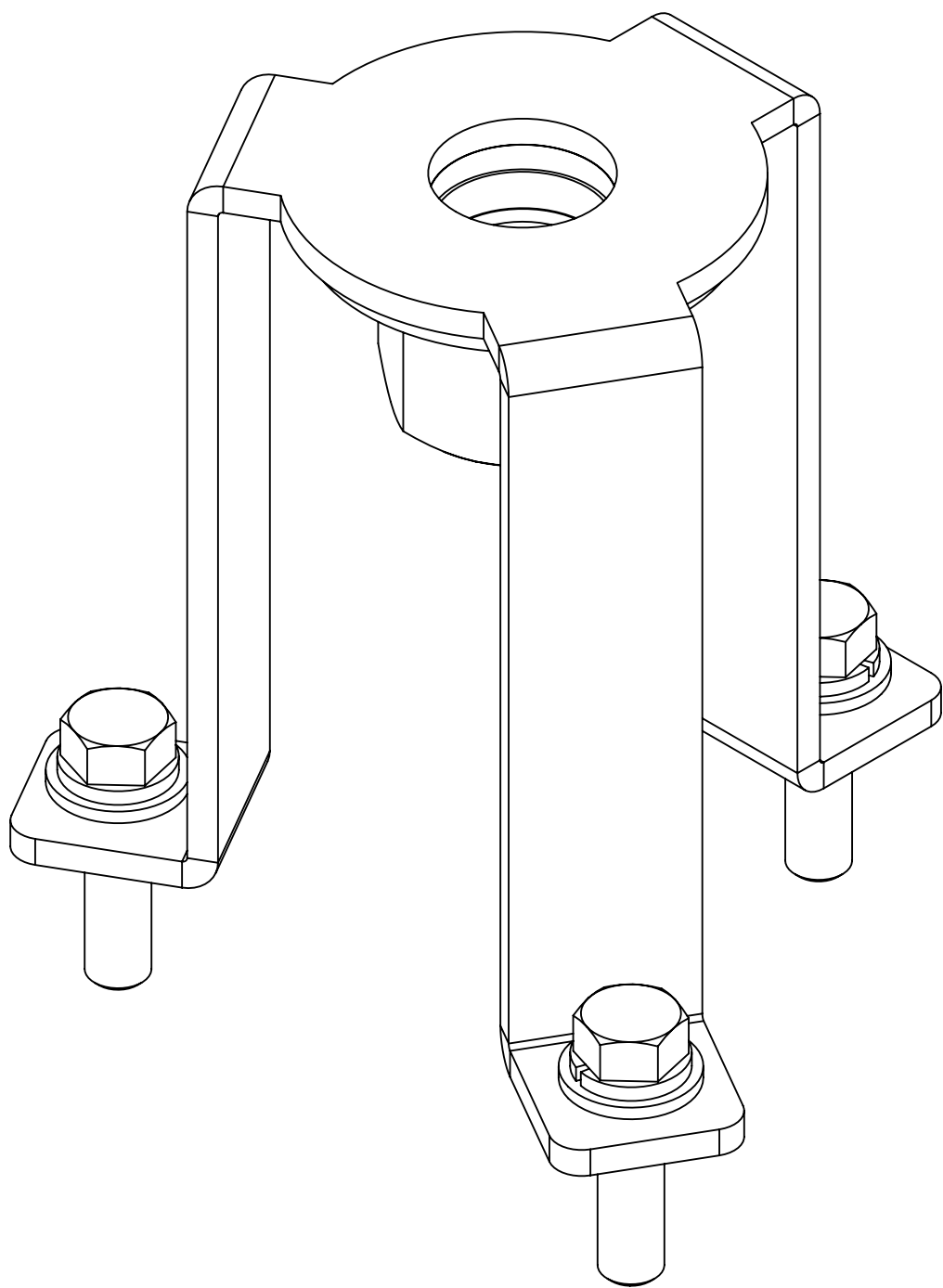
4

3


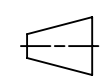
2

1

NOTES:



INSTALL BRACKET SHOWN TO THE POLETOP
 USING 3 SETS OF 3/8" HW SUPPLIED WITH THE KIT

COMMSCOPE, INC. OF NORTH CAROLINA				
TITLE 12IN PT ANTENNA MOUNT KIT				
SIZE C	SCALE 1:4	DOCUMENT NO. MTM1127-0002		
 		DRAWING		SHEET 3 OF 3
		VERSION 00	STATUS RE	

© 2020 CommScope, Inc. Confidential

4

3

2

1

D

D

C

C

B

B

A

A