

# BUDI-R



## BENEFITS

- Compact plastic design: 4.9 in (124.4 mm) x 8.4 in (213.4 mm) x 10.63 in (270 mm).
- Indoor and outdoor applications (IP54 and UL94).
- Equipped with 24 adapter ports. Cable terminated to MPO or HMFOC connectors. Connector less option also available.
- RapidReel fiber cable spool deploys up to 50 ft (15 m) of stubbed cable. External spool included for cable lengths over 50 ft (15 m) up to 1,000 ft (305 m). Standard cable length increments of 100 ft. For more details about cable lengths please see page# 2.
- **Cost savings:** RapidReel fiber cable spool reduces upfront deployment costs by eliminating site survey inspections, reducing labor hours and streamlining cable requirements.
- **Reduced labor:** Preconnectorized plug-and-play solution eliminates splice labor requirements and speeds network construction.
- **Space savings:** Compact MPO connector design and multifiber cable is ideal for high-density intrafacility applications. Excess fiber is stored within unit. No additional enclosures are required for intrafacility applications.
- Hinge mechanism locks cover in open position for unhindered technician access.
- Removable door and security captive screw (216) included.
- External fiber management accessory (skirt) available.

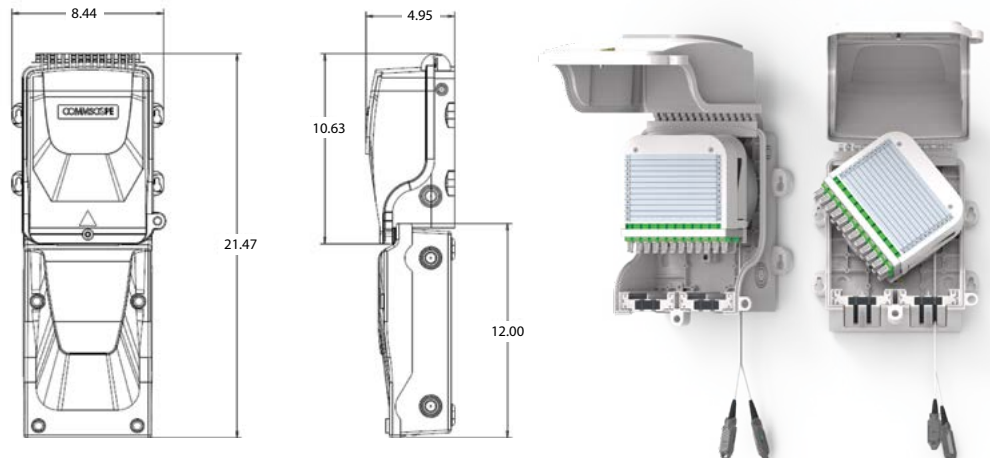
The BUDI rapid fiber distribution terminal (BUDI-R) is a compact, high-density, fiber box solution, designed to speed up installation requirements on the customer premises.

Utilizing the RapidReel® fiber cable spool, the BUDI-R deploys up to 1,000 feet of indoor plenum cable or I/O riser single cable. The multi-fiber cable terminates to multi-fiber push-on (MPO) connectors, hardened multi-fiber optical connectors (HMFOC) or connectors less option for splicing applications (Dummy MPO with pulling eye included), ensuring fast cable routing and simplified handling by technicians. For service turn-up, the BUDI-R features up to 24 fiber ports for fast, plug-and-play drop cable connections using wrap-around ports.

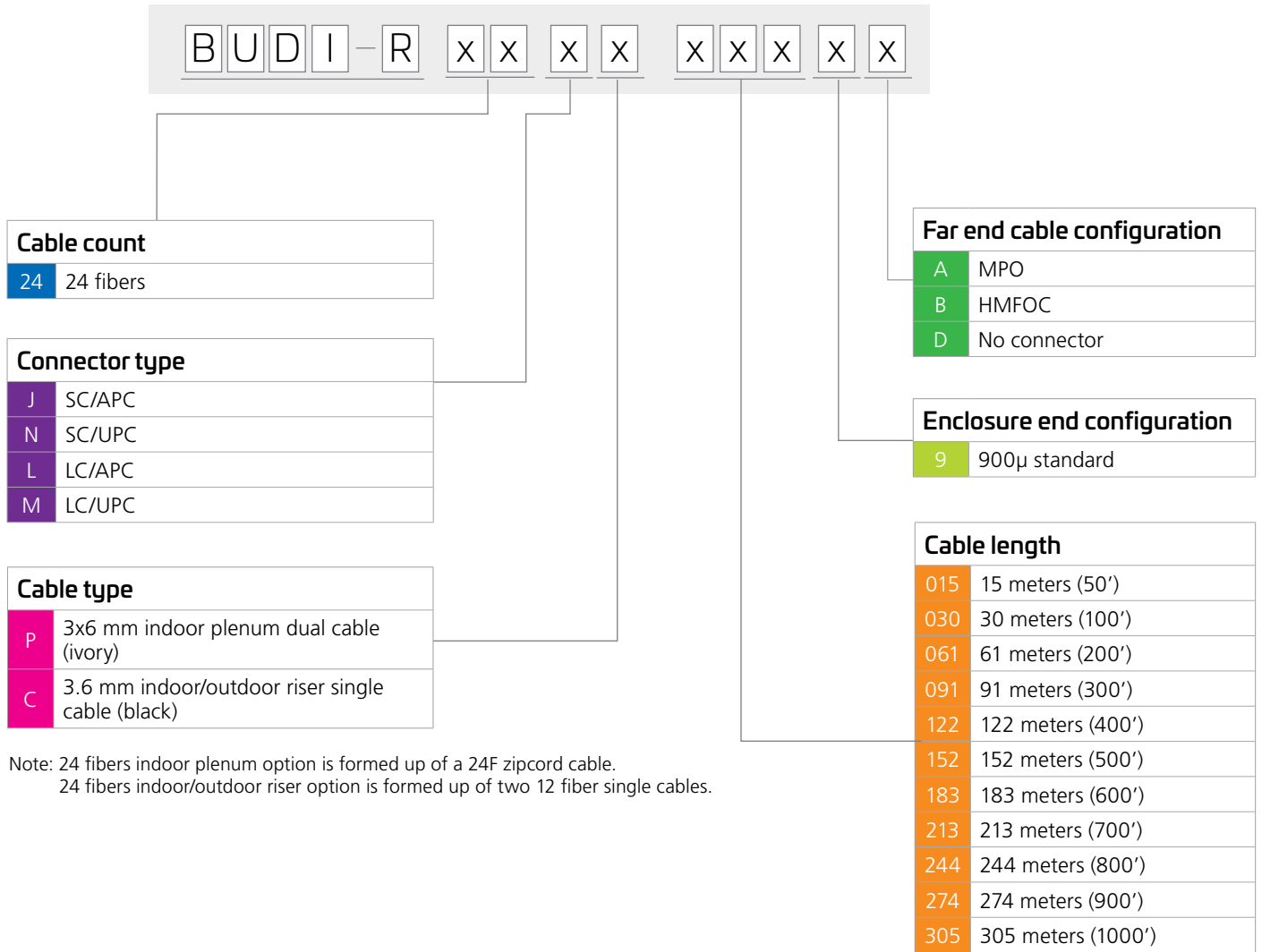
## Product specifications

Dimensions	4.9 in (124.4 mm) x 8.4 in (213.4 mm) x 10.63 in (270 mm)
Material	Polycarbonate
Color	Gray (RAL 7035)
Sealing level	IP54
Flammability rate	UL94
Operating temperature	-40°C (-40°F) / +65°C (149°F)
Box compliance	IEC 61753-1 (2018) categories C (indoor) and A (outdoor aerial)
Fiber cables length	50-1,000 ft (15-305 m)
Drop cables dimensions	Up to 3 mm

Cable type	Plenum (Indoor)	Riser (Indoor/Outdoor)
Fibers count	24	24 (2x12)
Dimension	3x6 mm	3.6 mm
Fiber type	ITU-T G.657.A2	ITU-T G.657.A2
Color	Ivory	Black



## Product offering



Note: MPO connector is non-pinned. Pulling eye included.  
HMFOC connector is non-pinned. Pulling eye included.  
Connector less option includes dummy MPO with pulling eye.



commscope.com

Visit our website or contact your local CommScope representative for more information.

© 2022 CommScope, Inc. All rights reserved. All trademarks identified by ™ or ® are trademarks or registered trademarks in the US and may be registered in other countries. All product names, trademarks and registered trademarks are property of their respective owners. This document is for planning purposes only and is not intended to modify or supplement any specifications or warranties relating to CommScope products or services.