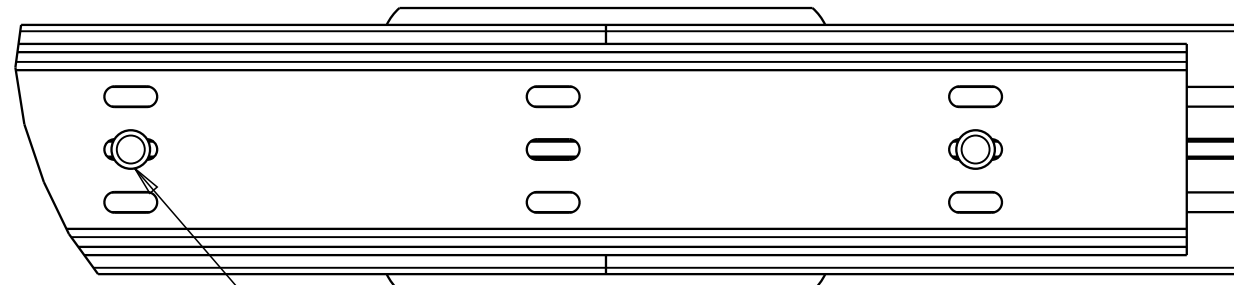
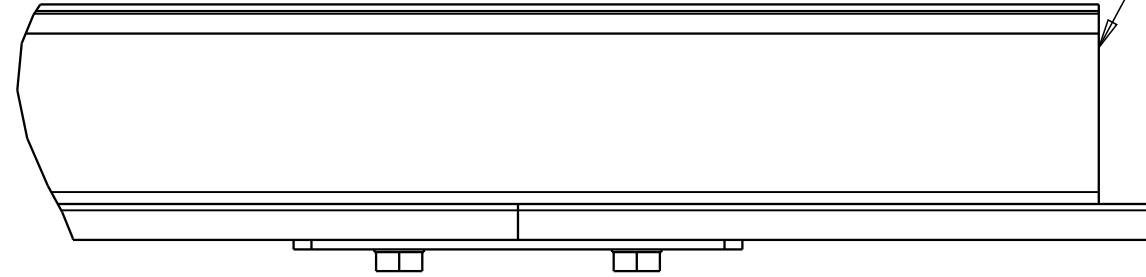
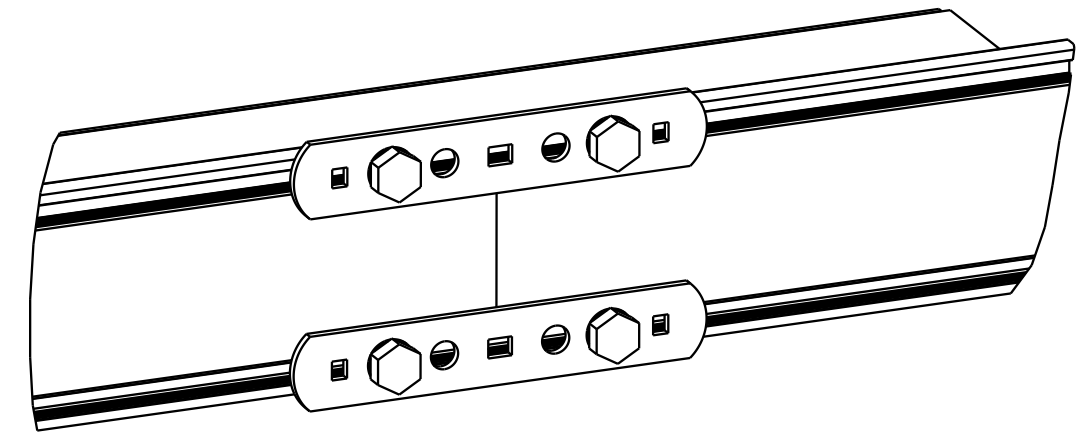


| REV. | MCO         | DWN  | DATE      |
|------|-------------|------|-----------|
| C    | 40023917MCO | RAT  | 03-SEP-15 |
| D    | 8000018631  | OAVL | 30-DEC-16 |

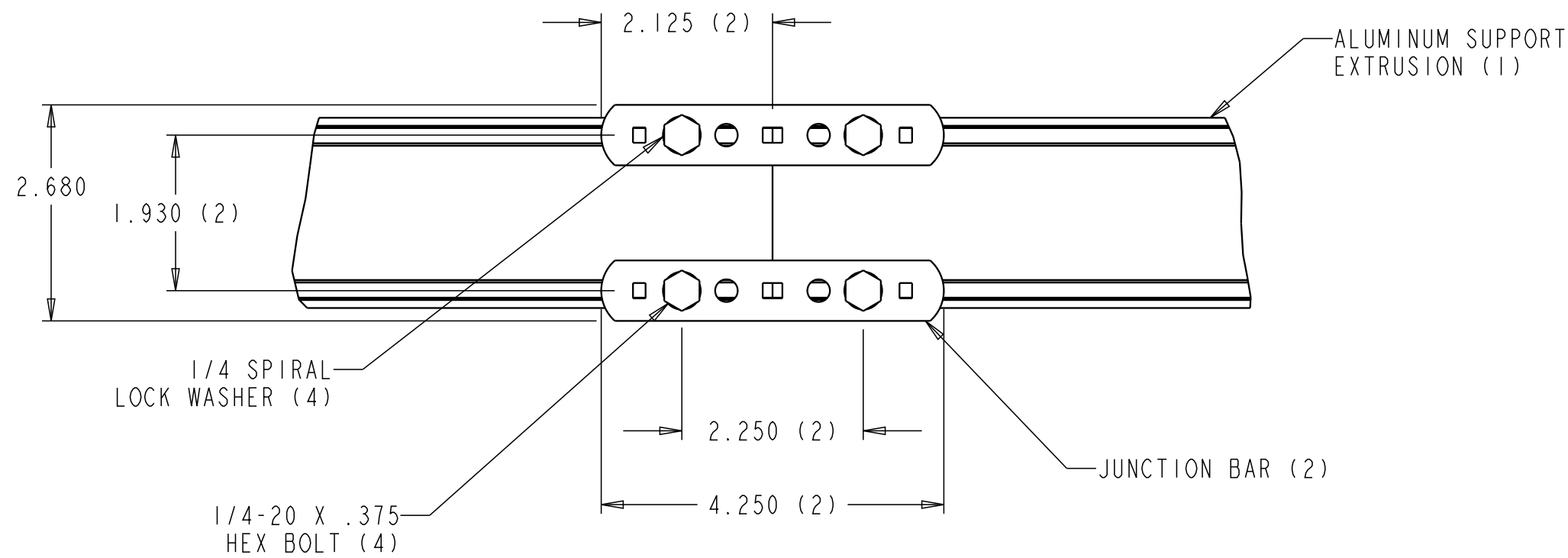
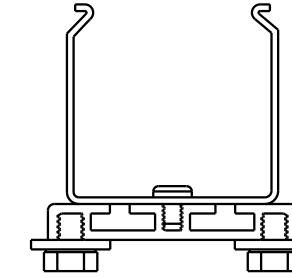


#10-24 X .250  
SCREW (2)



2" X 2" FIBERGUIDES REF  
(NOT INCLUDED WITH KIT)

1



**NOTES:**

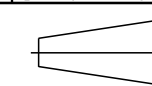
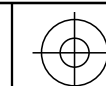
1 ITEMS ARE NOT INCLUDED WITH KIT.

2. SEE SHEET 2 FOR "T" FORMATION MOUNTING OPTIONS.

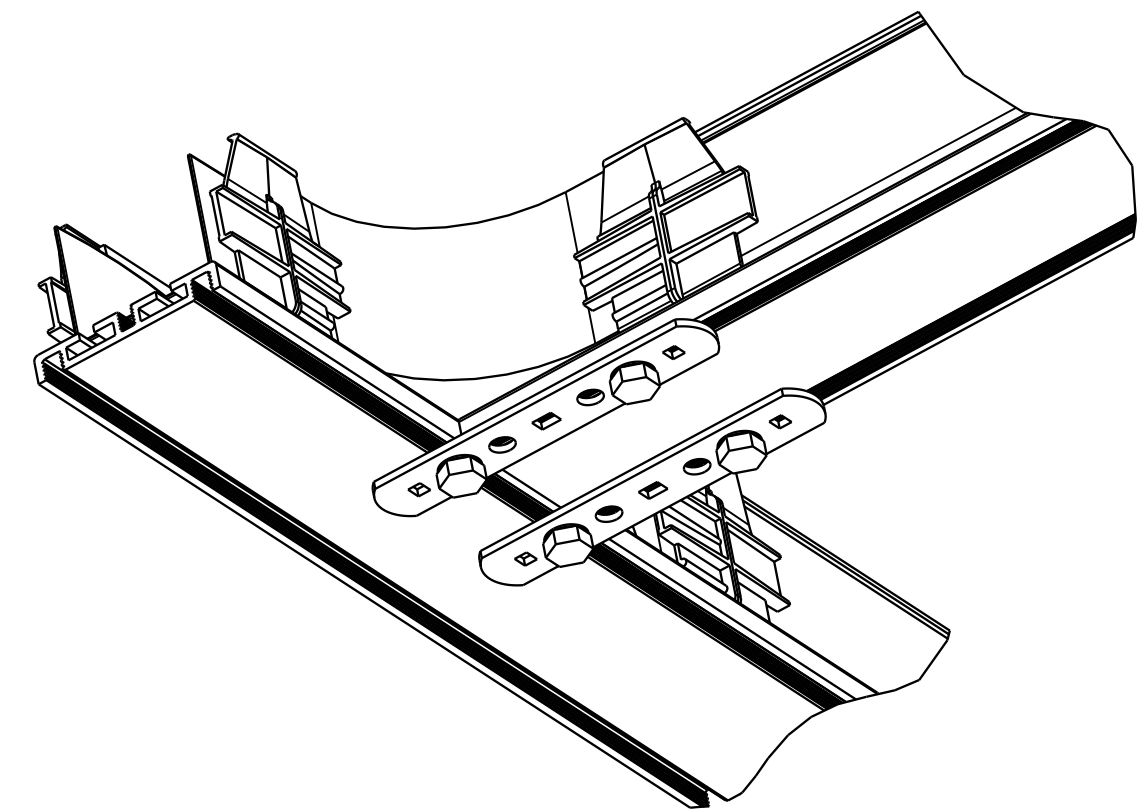
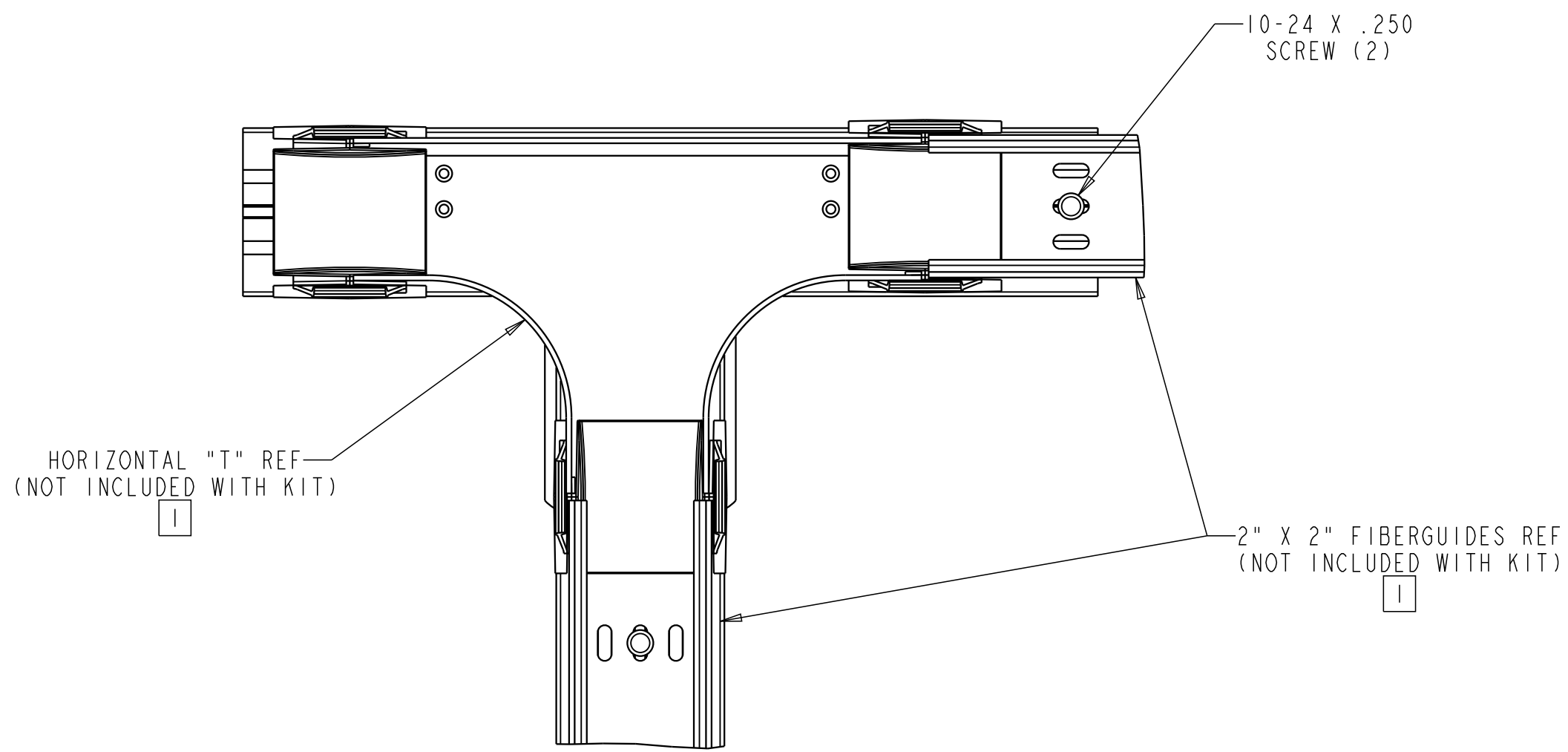
**CATALOG NUMBER: FGS-HASK-C**

**COMMSCOPE, INC.**

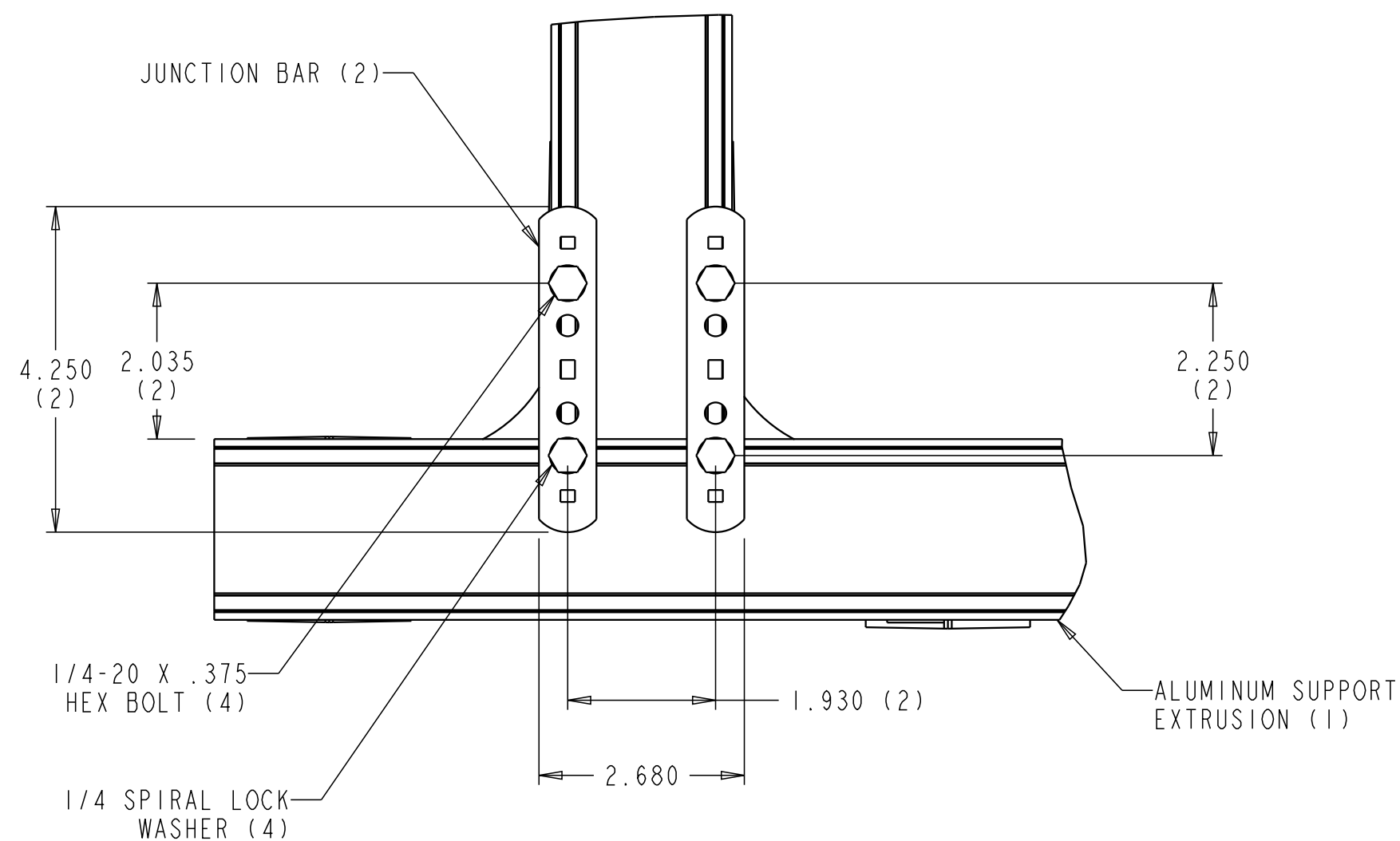
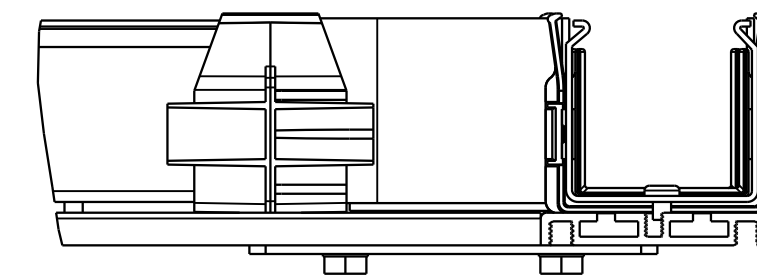
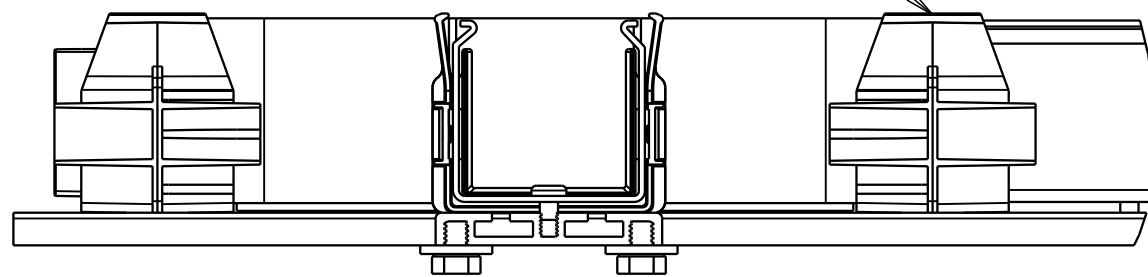
|   |  |   |                                |
|---|--|---|--------------------------------|
| © 2016 COMMSCOPE, INC. CONFIDENTIAL<br>NOTICE: THESE DRAWINGS AND SPECIFICATIONS<br>ARE THE PROPRIETARY PROPERTY OF<br>COMMSCOPE, INC. AND MAY BE USED ONLY FOR THE<br>SPECIFIC PURPOSE AUTHORIZED IN WRITING BY<br>COMMSCOPE, INC. |  | TITLE<br>FIBERGUIDES<br>SUPPORT KIT<br>(INSTALLATION DWG) |                                |
| ALL DIMS AND TOLERANCES<br>ARE INCHES UNLESS<br>OTHERWISE SPECIFIED   | .XX:±.XX<br>.XXX:±.XXX<br>ANGULAR:±N/A | C<br>SIZE   | DRAWING NUMBER<br>4-29000-3171 |
| DO NOT SCALE DRAWING  |  | ENGR: R. HENNEBERGER<br>DWN: T. REDMANN                   | D<br>REV                       |
|   |  | SHT. 1 OF 2   |                                |



**DIMENSIONS IN INCHES  
THIRD ANGLE PROJECTION**



JUNCTION DETAIL (3) REF  
(NOT INCLUDED WITH KIT)



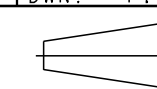
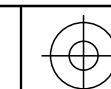
**NOTES:**

1. ITEMS ARE NOT INCLUDED WITH KIT.

2. SIMILAR MOUNTING IS POSSIBLE FOR HORIZONTAL ELBOWS.

COMMSCOPE, INC.

|   |   |   |                                |
|---|---|---|--------------------------------|
| © 2016 COMMSCOPE, INC. CONFIDENTIAL<br>NOTICE: THESE DRAWINGS AND SPECIFICATIONS<br>ARE THE PROPRIETARY PROPERTY OF<br>COMMSCOPE, INC. AND MAY BE USED ONLY FOR THE<br>SPECIFIC PURPOSE AUTHORIZED IN WRITING BY<br>COMMSCOPE, INC. |   | TITLE<br>FIBERGUIDES<br>SUPPORT KIT<br>(INSTALLATION DWG) |                                |
| ALL DIMS AND TOLERANCES<br>ARE INCHES UNLESS<br>OTHERWISE SPECIFIED   | .XX:±.XX<br>.XXX:±.XXX<br>ANGULAR:±N/A  | C<br>SIZE   | DRAWING NUMBER<br>4-29000-3171 |
| DO NOT SCALE DRAWING  | ENGR: R. HENNEBERGER<br>DWN: T. REDMANN | SHT. 2 OF 2   |                                |



**DIMENSIONS IN INCHES  
THIRD ANGLE PROJECTION**