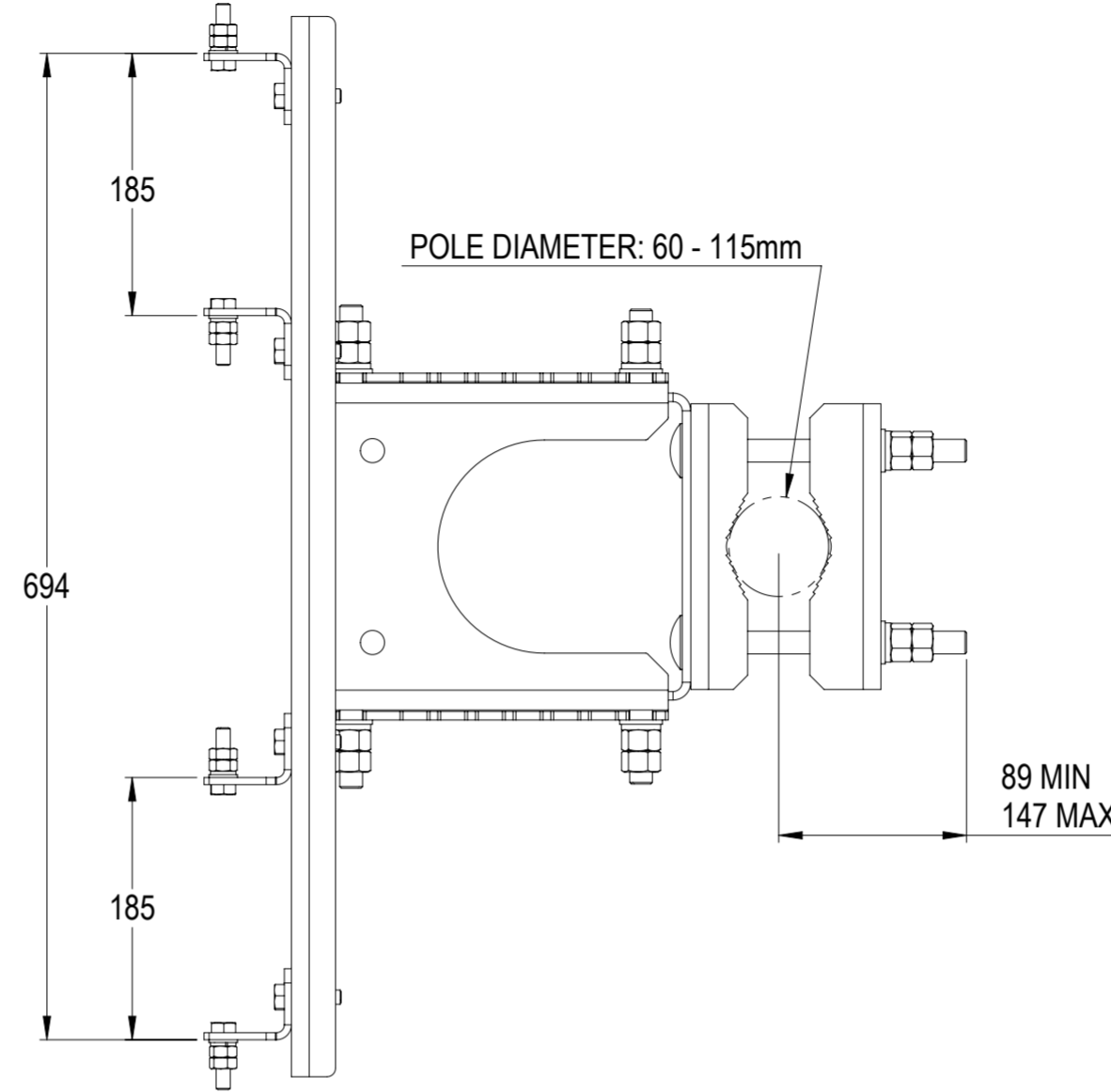
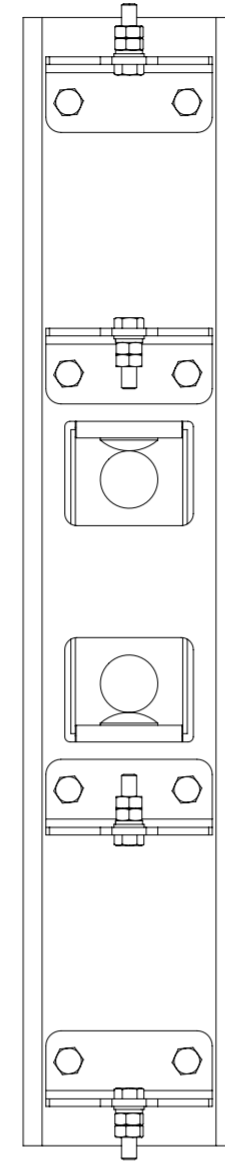
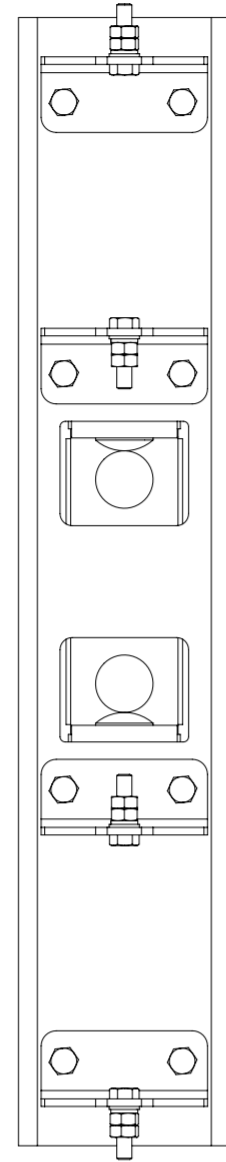
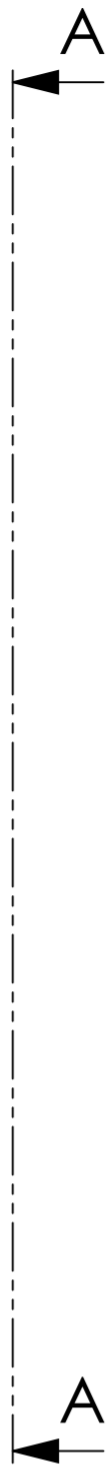
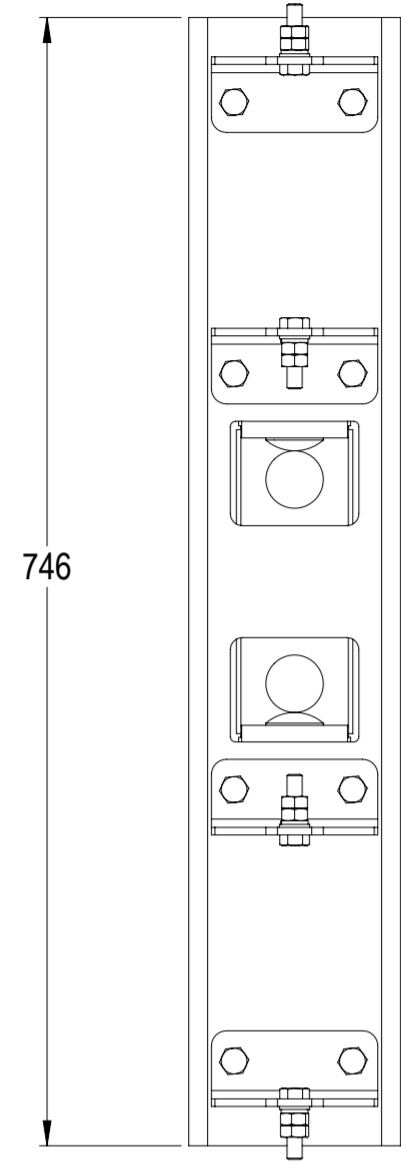
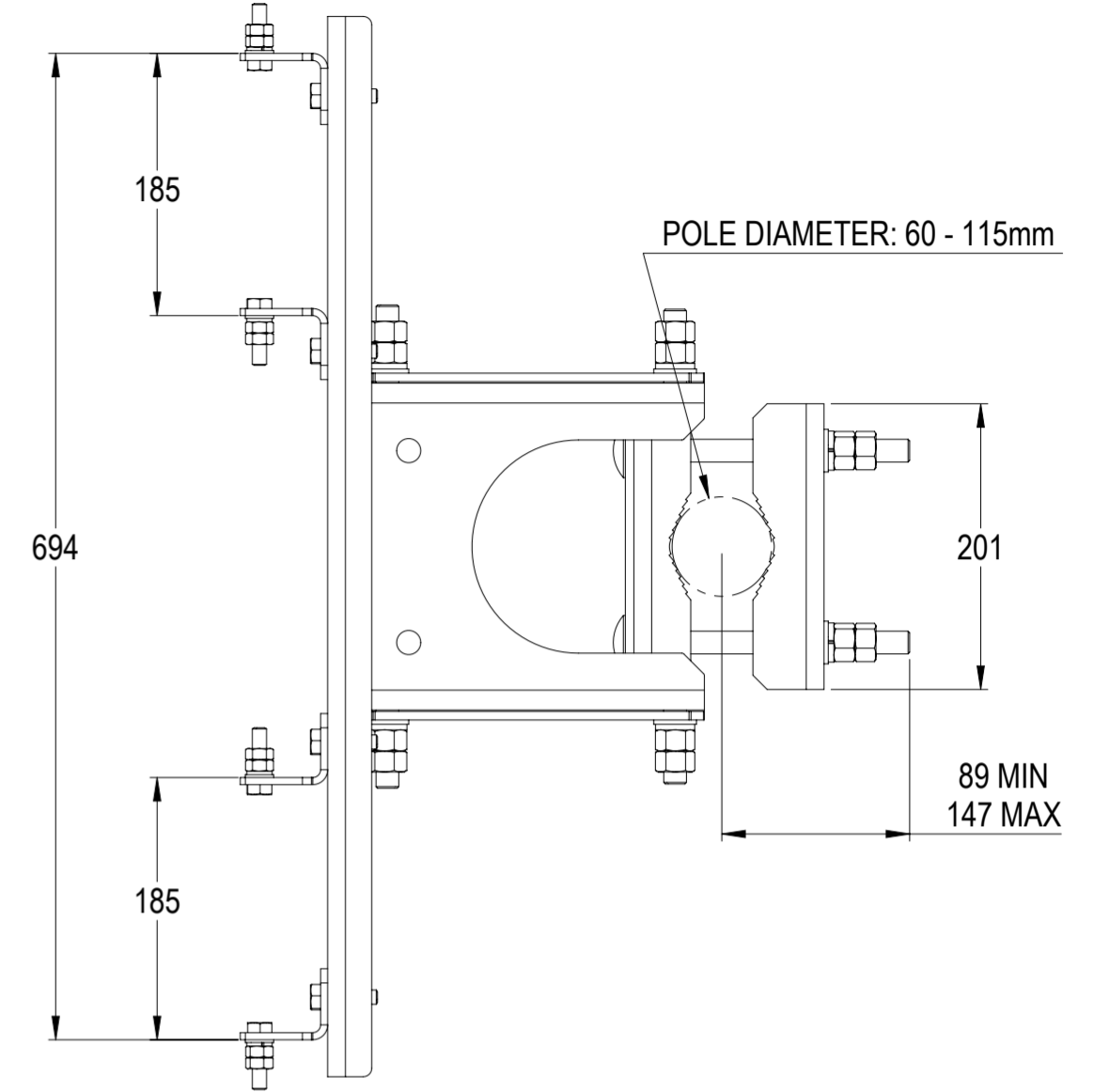


NOTES:

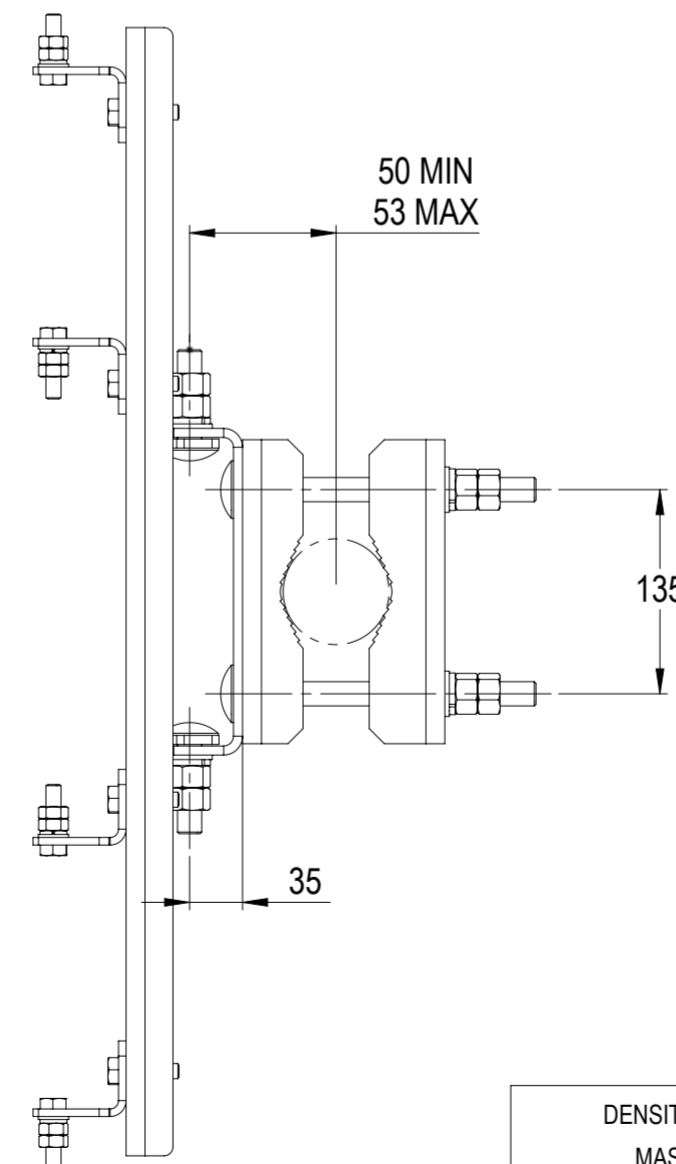
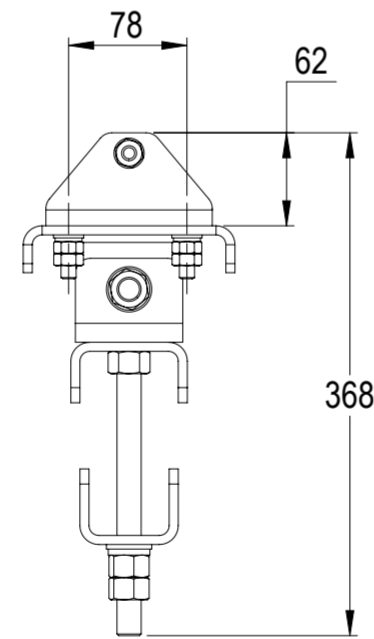
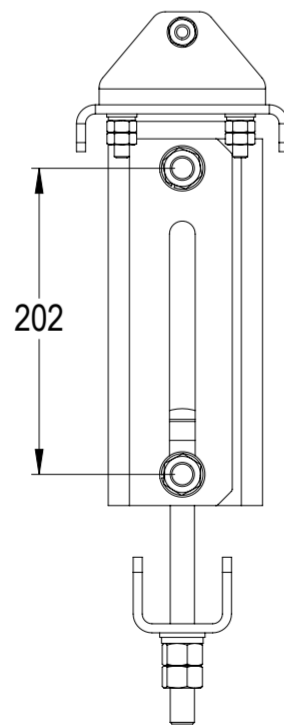
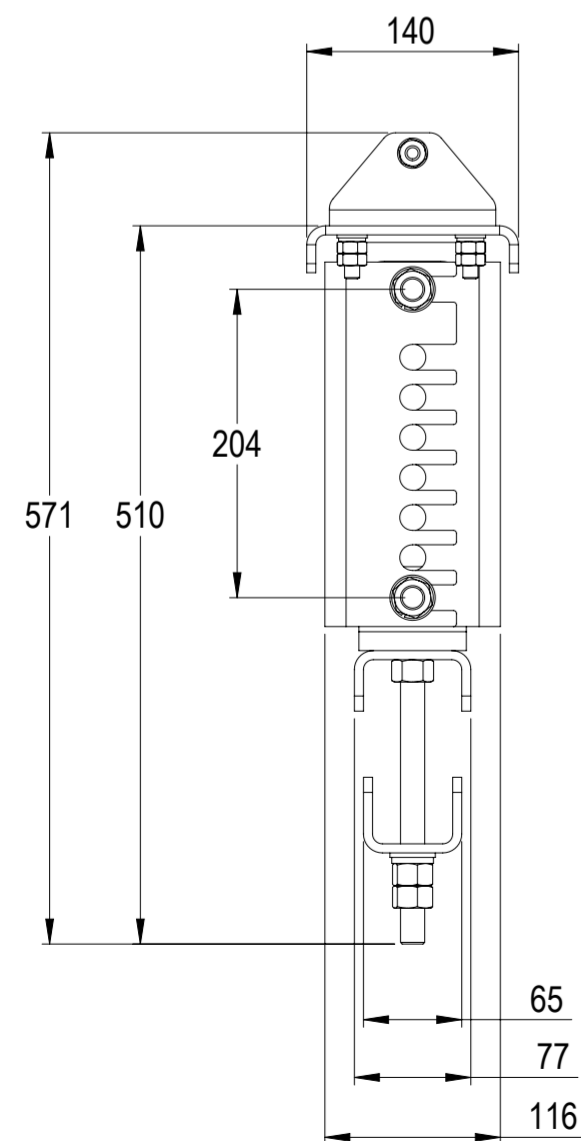
REVISIONS			
REV.	DESCRIPTION	DATE	APPROVED
A	ECR 8000019124: REL TO PRODUCTION PER EAO 603742.	01MAR17 ZHW	ZY.LU/J.LIU
B	ECR 40163527CMO: CORRECT DRAWING AND 3D MODEL PER BOM.	03MAR23 RY	ZYL/HANSEN.W



VIEW A-A



VIEW B-B



VIEW C-C

BSAMNT-SBS-2-3

DENSITY	g/mm ³
MASS	grams
VOLUME	mm ³
SURFACE AREA	mm ²
HEIGHT	
LENGTH	
WIDTH	

REV.	NAME	DATE	TITLE
CE	ZHW	03/01/2017	PRODUCT DRAWING
RW	RY1017	03/20/2023	
RV			
AD	ZL8001	03/20/2023	
RE	NC1020	03/21/2023	

SCALE: 1:5
DOCUMENT NO: BSAMNT-SBS-2-3-L

COMMScope, INC. OF NORTH CAROLINA

TOLERANCES: 0 PLACE X ±, 1 PLACE .X ±, 2 PLACE .XX ±, ANGLES ±

SAP MATERIAL MASTER

FINISH: N/A, MATERIAL: N/A

PRODUCT DRAWING

SIZE: A2	WORK AREA: [Symbol]	BSA: [Symbol]	MODEL: [Symbol]	REVISION: 01	STATUS: RE	REVISION: B	VERSION: 01	STATUS: RE	REVISION: B	SHEET: 1 OF 1
----------	---------------------	---------------	-----------------	--------------	------------	-------------	-------------	------------	-------------	---------------