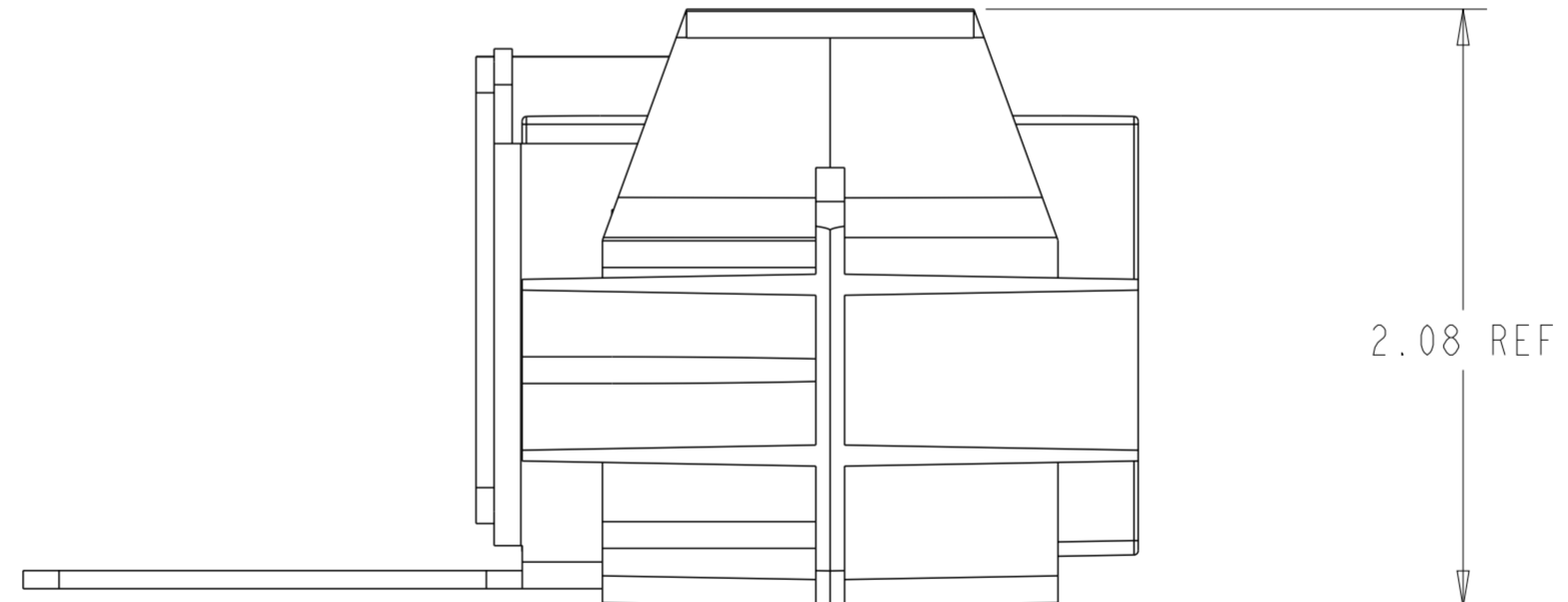
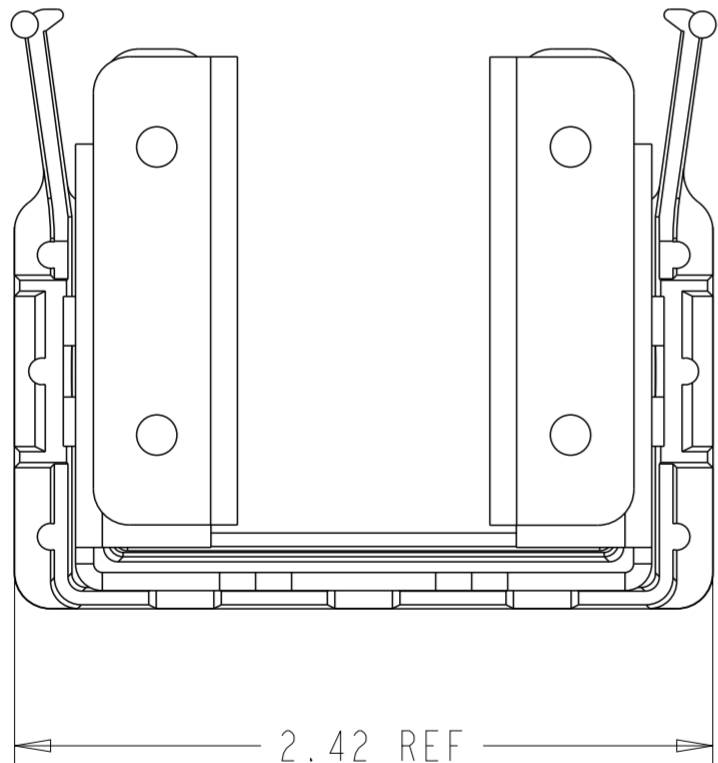
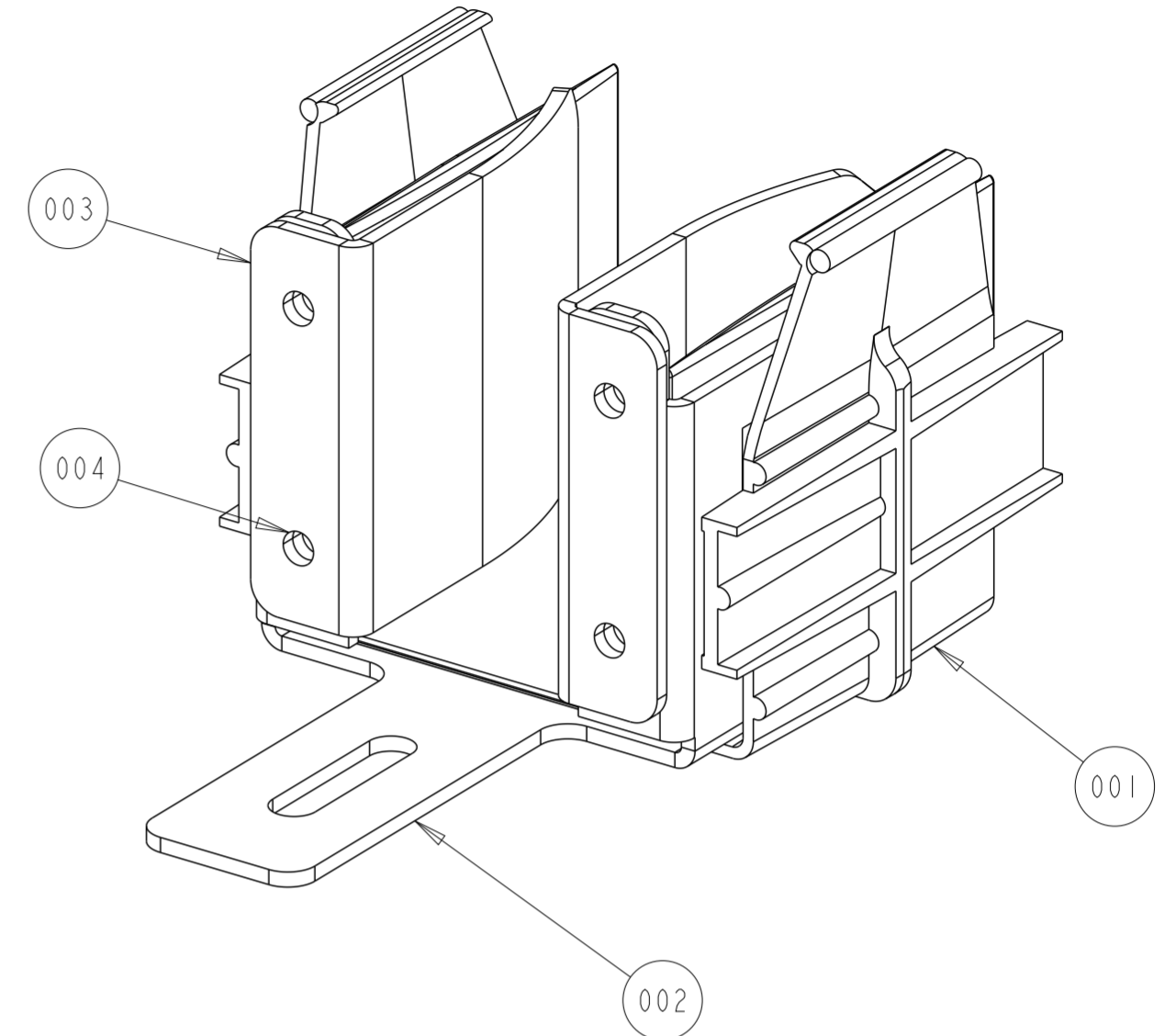
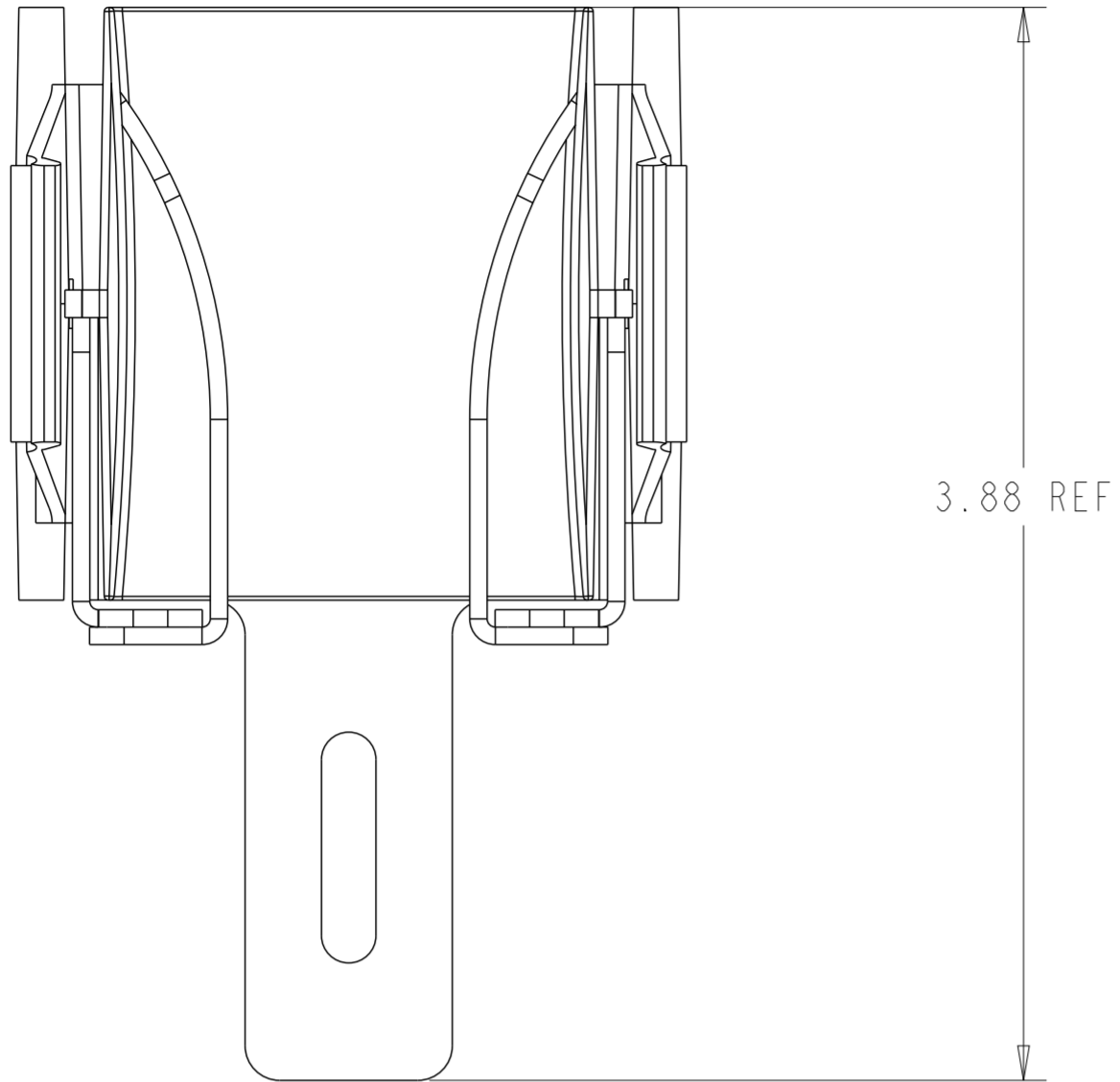


REVISIONS			
REV	CMO	DATE	APPROVED
A	40093371CMO	27-JUN-2019	ODVL



ITEMS INCLUDED WITH KIT		
F/N	DESCRIPTION	QTY (EA)
001	JUNCTION, 2X2, FGS, KIT	1.000
002	ADAPTER BASE	1.000
003	ADAPTER RADIUS BRKT	2.000
004	R081-00 .124, .203	4.000
005	SCREW PAN 10-24	1.000
006	W11-03 .219, .500	1.000
007	N021-03 10-24	1.000

FGS-ACC063	YELLOW
FGSB-ACC063	BLACK
CATALOG NUMBER	COLOR

COMMSCOPE, INC.			
DRAFTER OSCAR VALENZUELA		TITLE FIBERGUIDES 1 TO 2 ADAPTER	
ENGINEER RUBEN ARVILLA		SIZE A2	SCALE 1.500
		DOCUMENT NO. 660003514	
CUSTOMER DRAWING			REVISION A
			SHEET 1 OF 1