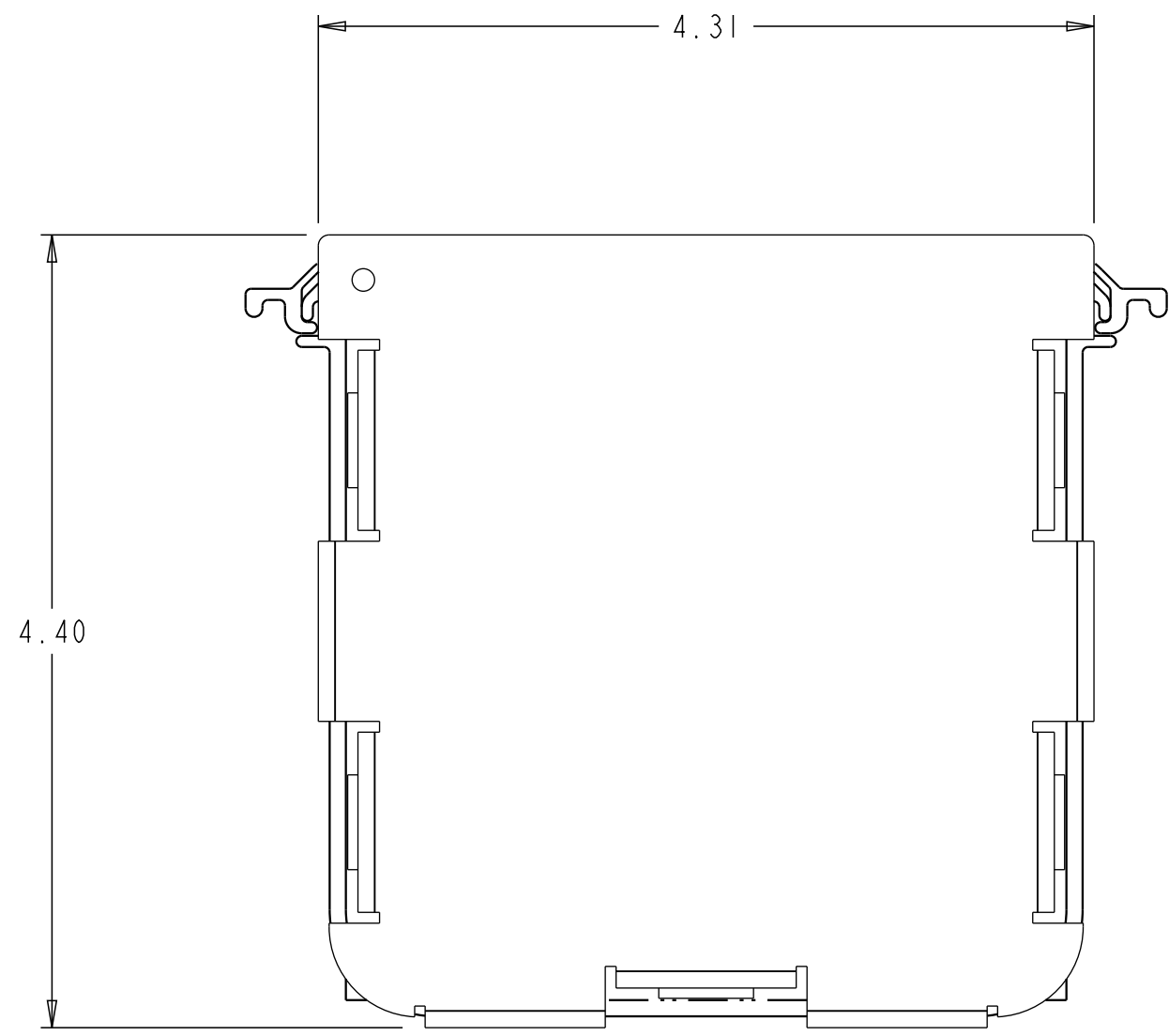
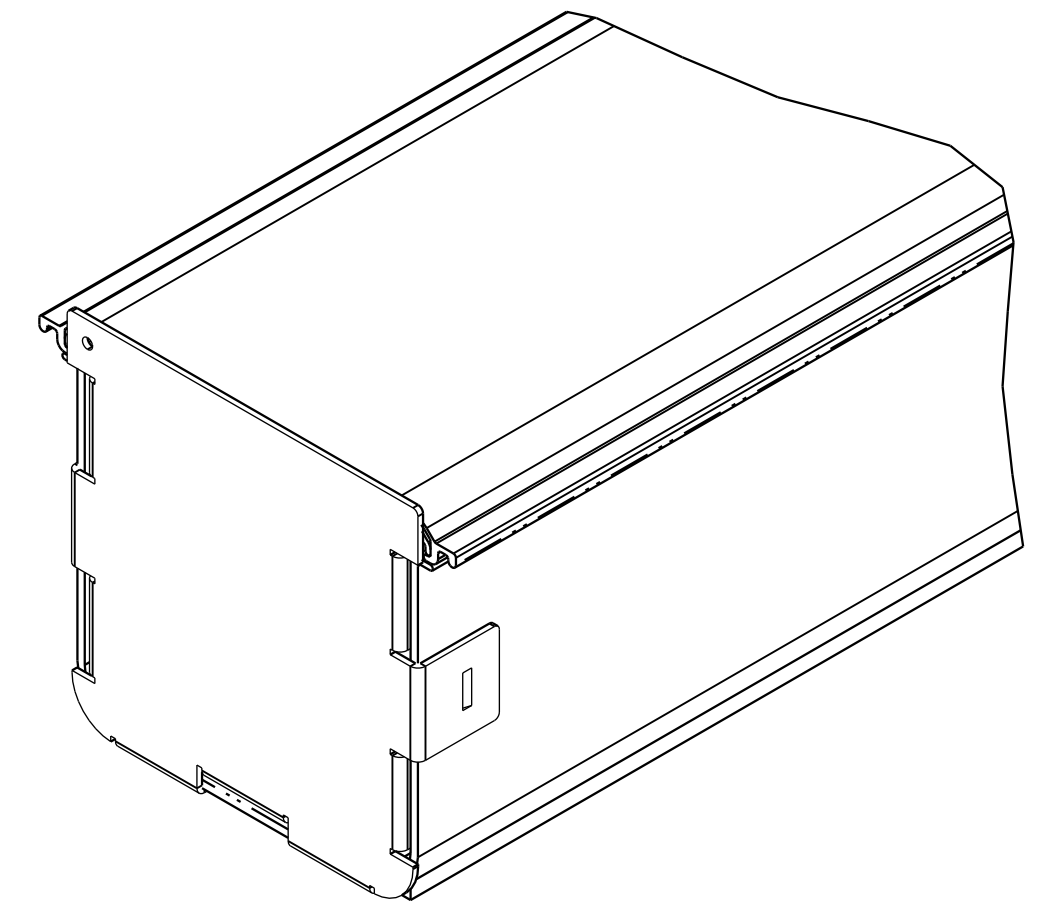
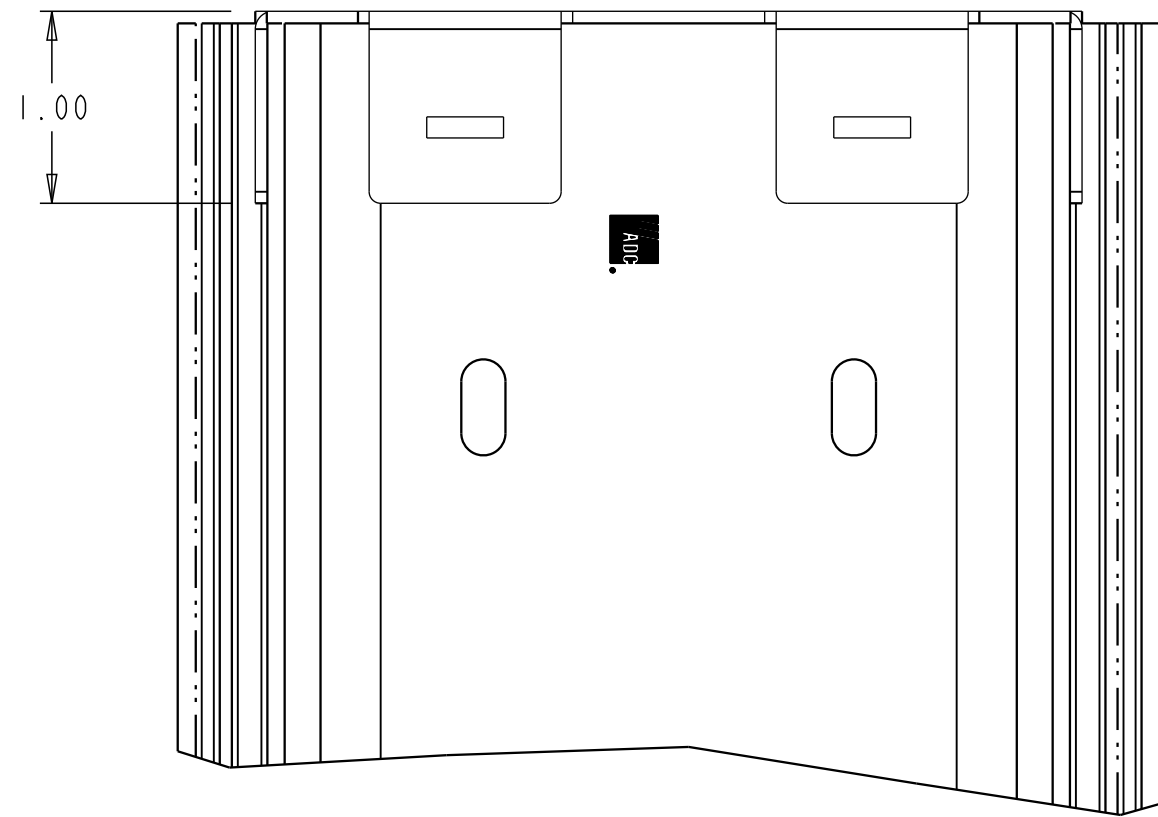
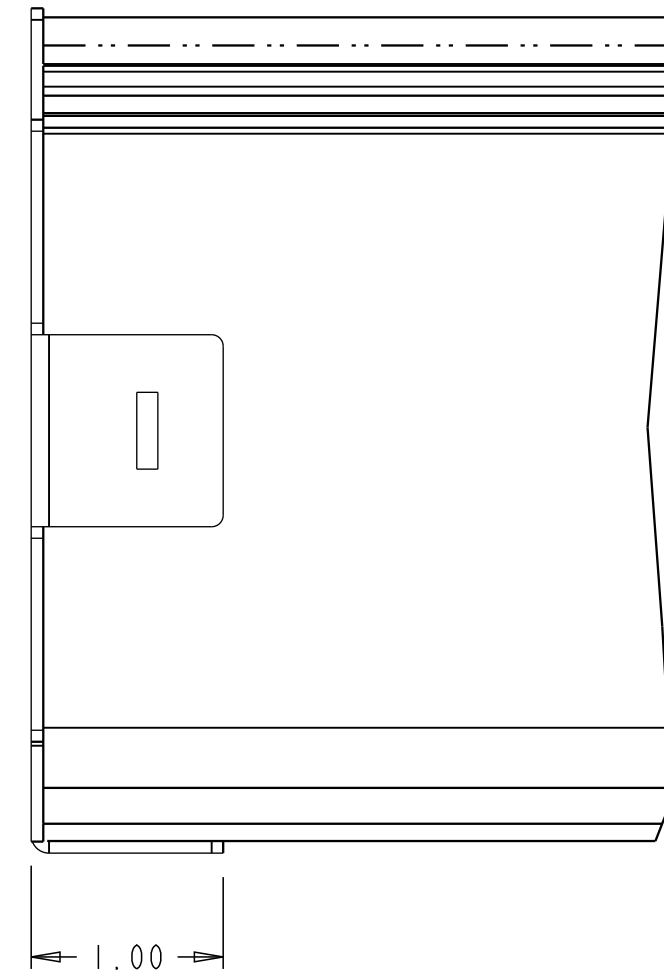


REV.	MCO	DWN	DATE
A	40012727MCO	RAT	25-MAR-14
B	40032793MCO	JGZV	10-AUG-16



SCALE 1.000



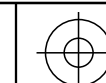
SCALE 0.600

NOTES:

- I. ITEMS INCLUDED WITH KIT:
- (1) END CAP
- (1) LABEL FIBERGUIDE CABLE

COMMSCOPE, INC.

© 2016 COMMSCOPE, INC. CONFIDENTIAL NOTICE: THESE DRAWINGS AND SPECIFICATIONS ARE THE PROPRIETARY PROPERTY OF COMMSCOPE, INC. AND MAY BE USED ONLY FOR THE SPECIFIC PURPOSE AUTHORIZED IN WRITING BY COMMSCOPE, INC.		TITLE KIT, 4X4 VERT END CAP INSTALLATION DRAWING	
ALL DIMS AND TOLERANCES ARE INCHES UNLESS OTHERWISE SPECIFIED	.XX:±.xx .XXX:±.xxx ANGULAR:±N/A	C SIZE	DRAWING NUMBER 300100102519
DO NOT SCALE DRAWING		ENGR: RUBEN ARVILLA DWN: RUBEN ARVILLA	B REV
		SHT. 1 OF 1	



DIMENSIONS IN INCHES  
THIRD ANGLE PROJECTION