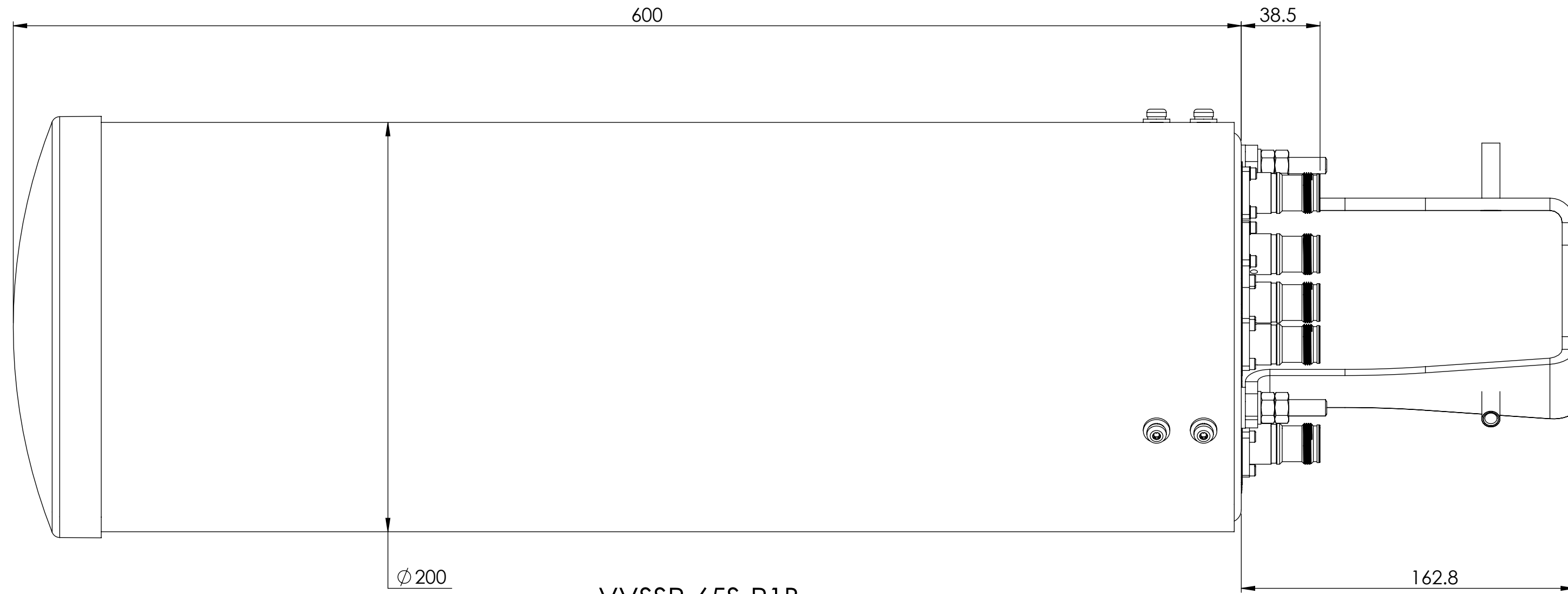
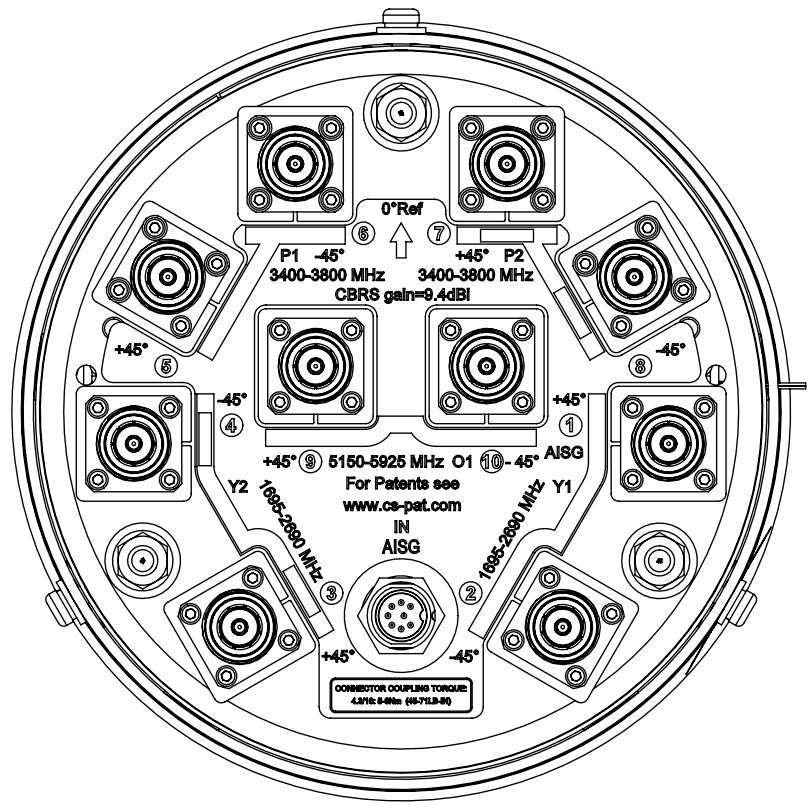
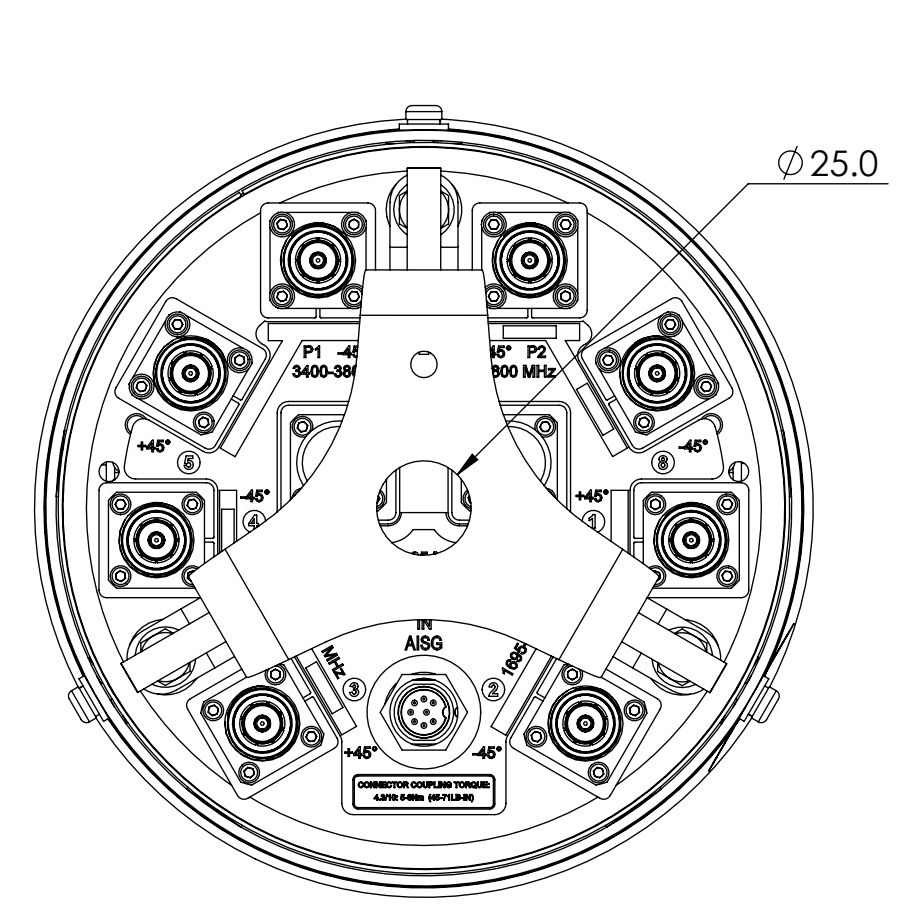


NOTES:

REVISIONS			
REV.	DESCRIPTION	DATE	APPROVED
A	ECR 8000028252: REL TO PRODUCTION PER EAO 605002.	04JAN19 RDD	AB/WY
B	ECR 8000033658: UPDATE DRAWING WITH LATEST MODEL.	28JAN19 RDD	S.LIU/JIHE
C	ECR 8000037060: UPDATE DRAWING.	25AUG19 LZ	LMS/WY
D	ECR 8000039381: UPDATE DRAWING WITH LATEST MODEL.	20FEB20 ZW	S.LIU/HANSEN.W
E	ECR 8000040195: UPDATE DRAWING WITH LATEST MODEL.	16APR20 CMY	PL.TANG/HANSEN.W



VVSSP-65S-R1B



VIEW A-A
BRACKET NOT SHOWN

DENSITY	g/mm ³
MASS	grams
VOLUME	mm ³
SURFACE AREA	mm ²
HEIGHT	
LENGTH	
WIDTH	

COMMSCOPE, INC. OF NORTH CAROLINA

TOLERANCES		SAP MATERIAL MASTER	
0 PLACE X ±	2 PLACE .XX ±		
1 PLACE .X ±	ANGLES ±		
FINISH N/A	MATERIAL N/A		
UNLESS OTHERWISE SPECIFIED DIMENSIONS ARE IN MILLIMETERS INTERPRET PER ISO STANDARDS HANDBOOK TECHNICAL DRAWINGS VOLUMES 1 & 2, THIRD EDITION (2002)	NAME	DATE	TITLE
	CE RDD	04JAN19	PRODUCT DRAWING
	RW MC1105	04/16/2020	
	RV PLTANG	04/17/2020	
	AD HW8003	04/20/2020	
RE ZHHCHEN	04/21/2020		
ECN 8000040195-O			SCALE 1:2
SIZE A2		WORK AREA 23	MODEL DRAWING
VERSION 04	STATUS RE	REVISION E	VERSION 04
	STATUS RE	REVISION E	
			SHEET 1 OF 1