

860462118

Revision E / Nov 2022

commscope.com

## M4800 and M4800A Patch Panel

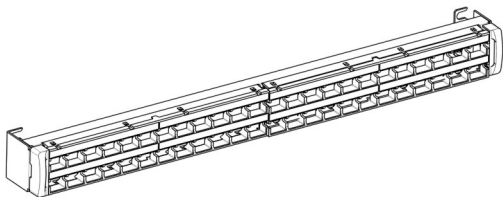
### General

The M4800 and M4800A modular panels are highly flexible 48-port patch panel assemblies available in **GigaSPEED®**, **PowerSUM**, or **UNJ** configurations. When installed with M-series or UNJ information outlets, modular patch cords, and cables, they are an integral part of the **CommScope®** connectivity system. The panels mount in a standard 19-inch (483mm) equipment rack with universal hole spacing.

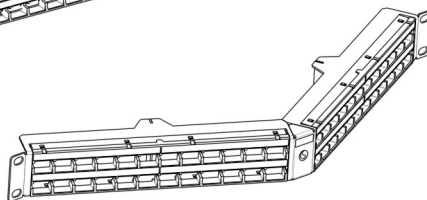
A separately orderable rear cable management bar (760104737) is available for use with the M4800/M4800A panel and a separately orderable removal tool kit (760122713) is required for use with the panel.

Ordering information is listed below:

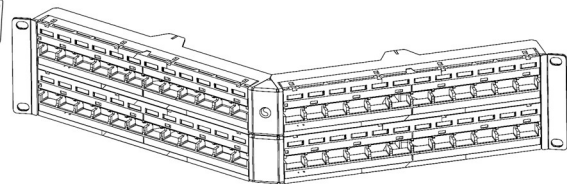
Material ID	Part No.	Description
760105429	M4800-1U-GS	M4800 GS flat panel ( <b>GigaSPEED</b> )
760104307	M4800-1U-PS	M4800 PS flat panel ( <b>PowerSUM</b> )
760109744	M4800A-1U-GS	M4800A GS angled panel ( <b>GigaSPEED</b> )
760109736	M4800A-1U-PS	M4800A PS angled panel ( <b>PowerSUM</b> )
760246320	M4800A-1U	M4800A angled panel ( <b>UNJ</b> )
760246228	M4800-1U	M4800 flat panel ( <b>UNJ</b> )
760253536	M4800A-2U-GS-WH	M4800A GS angled panel ( <b>GigaSPEED</b> )
760254924	M4800A-1U-GS-WH	M4800A GS angled panel ( <b>GigaSPEED</b> )



**M4800 1U Patch Panel**



**M4800A 1U Patch Panel**



**M4800A 2U Patch Panel**

### How to Contact Us

- To find out more about **CommScope®** products, visit us on the web at [www.commscope.com/](http://www.commscope.com/)
- For technical assistance:
  - Within the United States, contact your local account representative or technical support at 1-800-344-0223. Outside the United States, contact your local account representative or **PartnerPRO™** Network Partner.



- Within the United States, report any missing/damaged parts or any other issues to **CommScope** Customer Claims at 1-866-539-2795 or email to [claims@commscope.com](mailto:claims@commscope.com). Outside the United States, contact your local account representative or **PartnerPRO** Network Partner.

## Tools Required

- Phillips head screwdriver

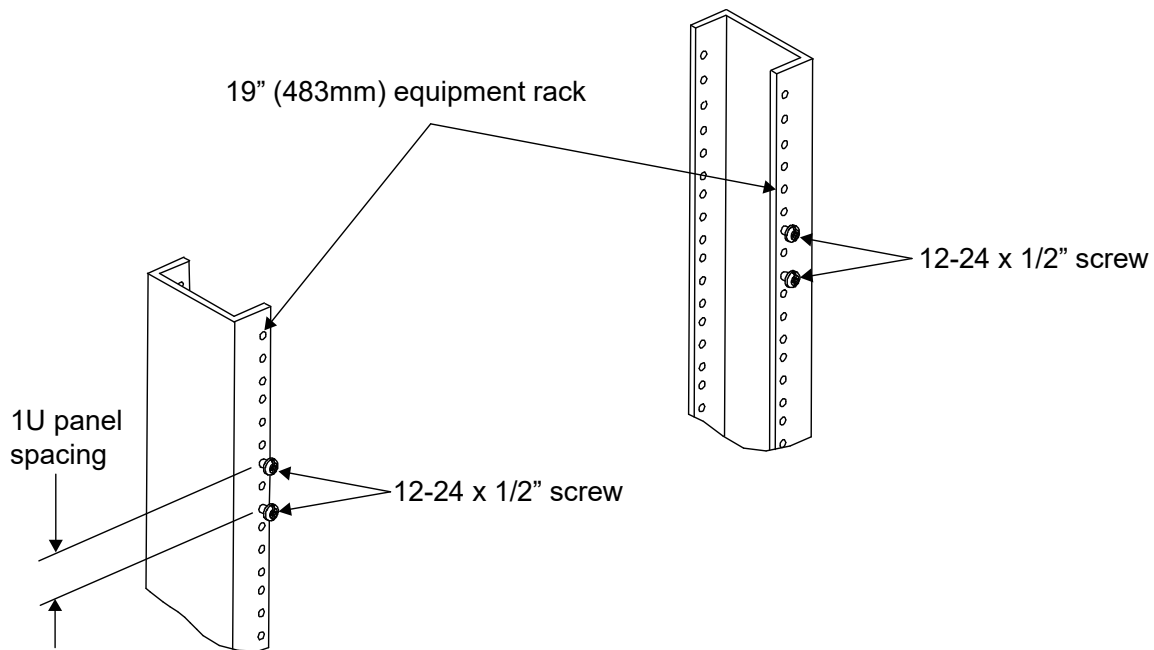
## Parts List

Verify parts against the parts list below:

		Quantity				Description
M4800 Panel		M4800A Panel				
M4800PS	M4800GS	M4800	M4800PS	M4800GS	M4800A	
1	1	1	—	—	—	M4800 flat panel assembly
—	—	—	1	1	1	M4800A angled panel assembly
2	2	2	—	—	—	Panel end caps
48	—	—	48	—	—	MPS outlet caps
—	48	—	—	48	—	MGS outlet caps
4	4	4	4	4	4	12-24 x 1/2" mounting screws
1	1	1	1	1	1	Label sheet
1	1	1	1	1	1	Instruction sheet

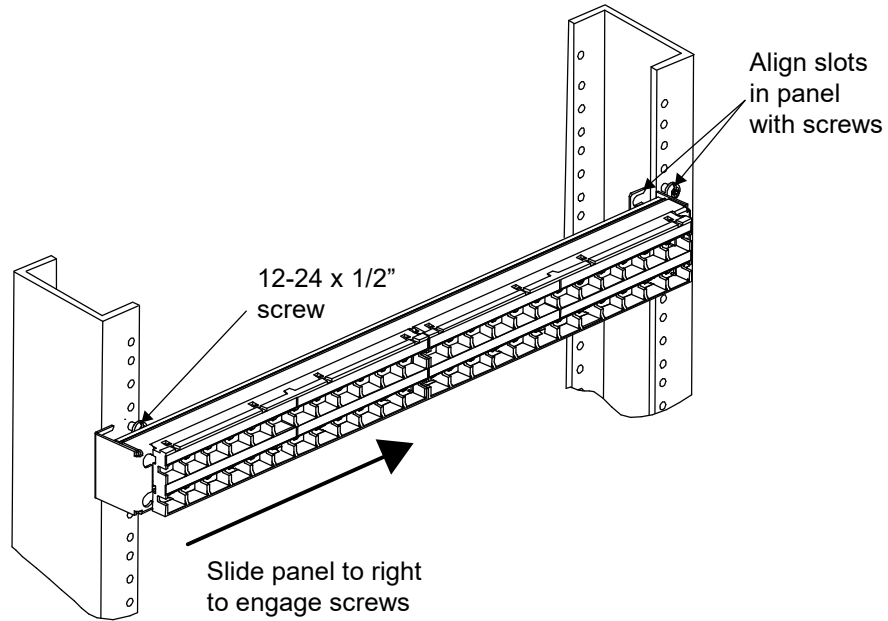
## Step 1A – M4800 Flat Panel Installation (Skip to Step 1B for Installation of M4800A Angled Panel)

### Install Mounting Screws



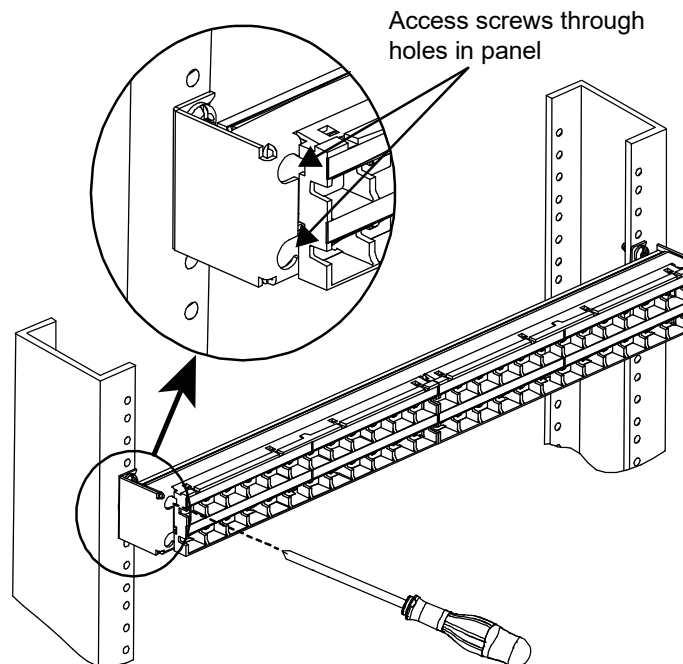
1. Partially install four 12-24 x 1/2" screws in equipment uprights in a 1U panel spacing as shown.

## Install Panel on Rack



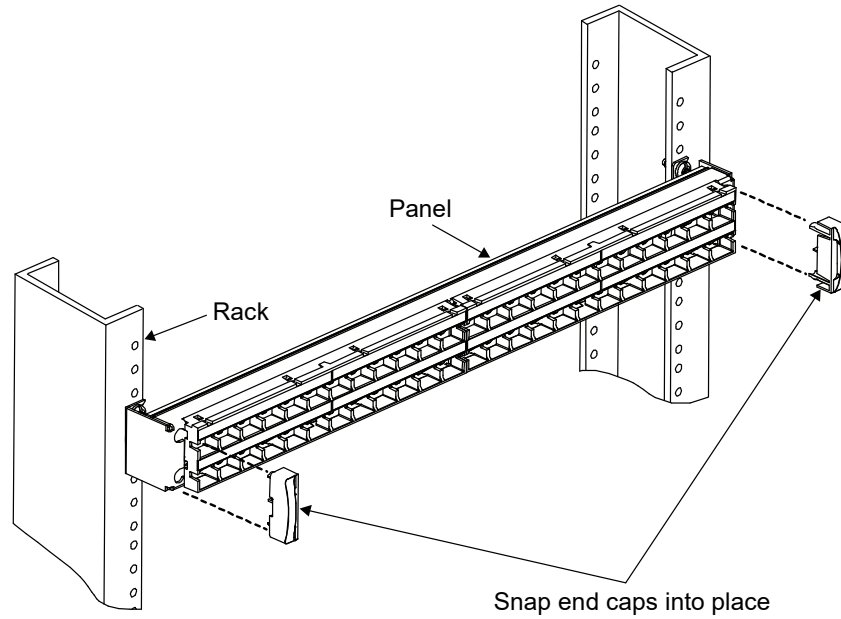
1. Position panel against rack rails offset to the left of the partially installed screws.
2. Align slots in panel with screws and slide panel to right to engage screws.

## Secure Panel to Rack



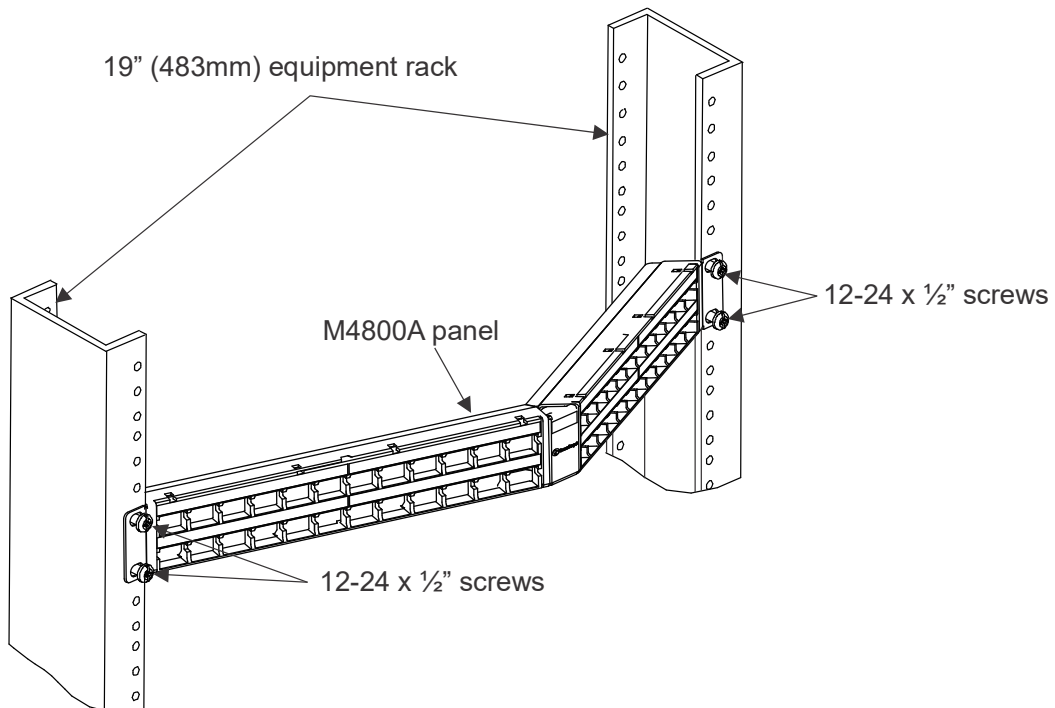
1. Use a screwdriver to access screws through holes in panel. Tighten screws to secure panel to rack.

## Install End Caps



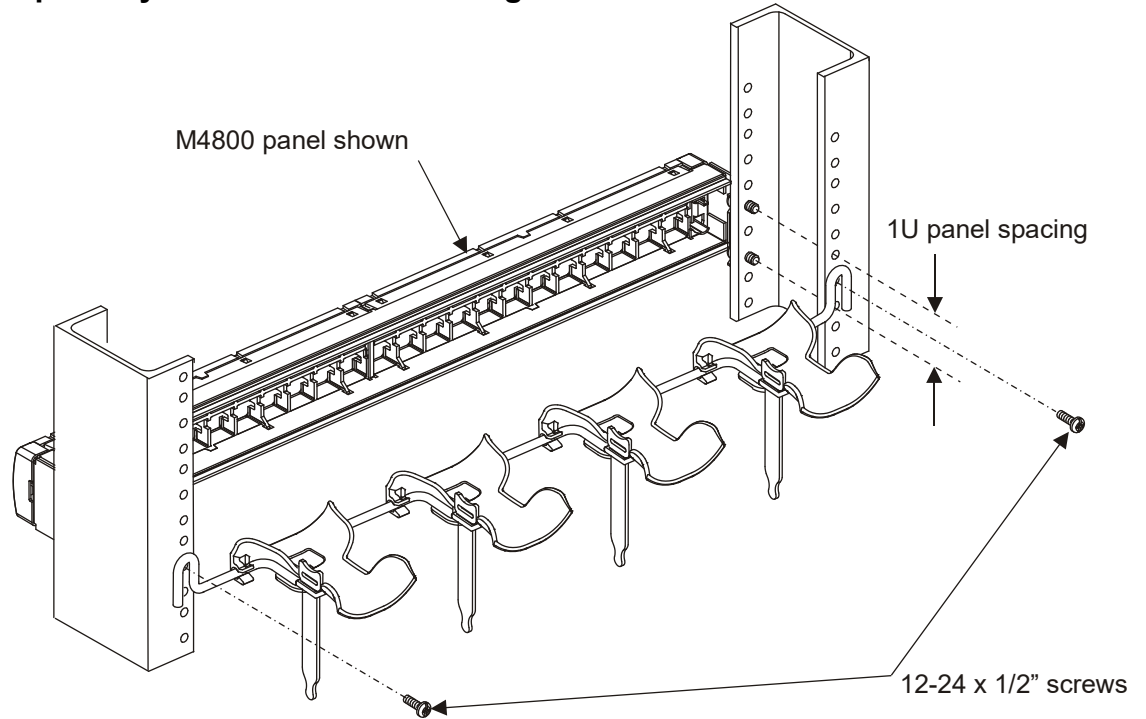
1. Snap end caps into place on panel as shown.

## Step 1B – M4800A (Angled) Panel Installation Install Panel on Rack



1. Use four supplied 12-24 x 1/2" screws to secure panel to rack.
2. Connect cables to outlets per instructions provided with the individual outlets.

### Step 2 – Attach Separately Orderable Cable Management Bar



1. Attach cable management bar to rear of equipment rack using the four provided 12-24 x 1/2" screws as shown. Bar should be level with lower row of outlets.
2. Assemble cable management bar components per instructions provided with the bar.

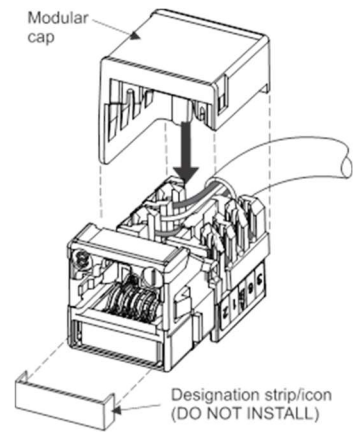
### Step 3 – Terminate Outlets and Populate Panel

1. Terminate cables to outlets per the instructions provided with the individual outlets.
  - 1a. For the MGS jack, use a D914 (406477794) impact tool (on HI setting) with M110 cutting blade and hand puck (760034215) or the JackRapid® (JR-SYS-2) termination tool to punch down conductors. Trimming conductors with side-cutters or fine edge cutters is not allowed due to the tight spacing of the outlets.

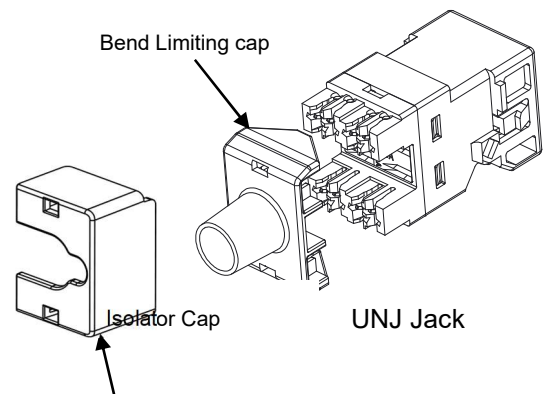
**Note:** The designation strips/icons provided with outlets should not be installed on outlets used in the M4800 panel. Outlets will not insert properly into the panel with designation strips/icons installed

- 1b. For the UNJ jack, use a D914 impact tool (on HI setting) with M110 cutting blade and hand puck 569949-1 or SL Series termination tool 1725150-6

2. Populate the panel with outlets, then using the instructions provided with the cable bar, route and secure cables to bar using the provided hook-and-loop straps.

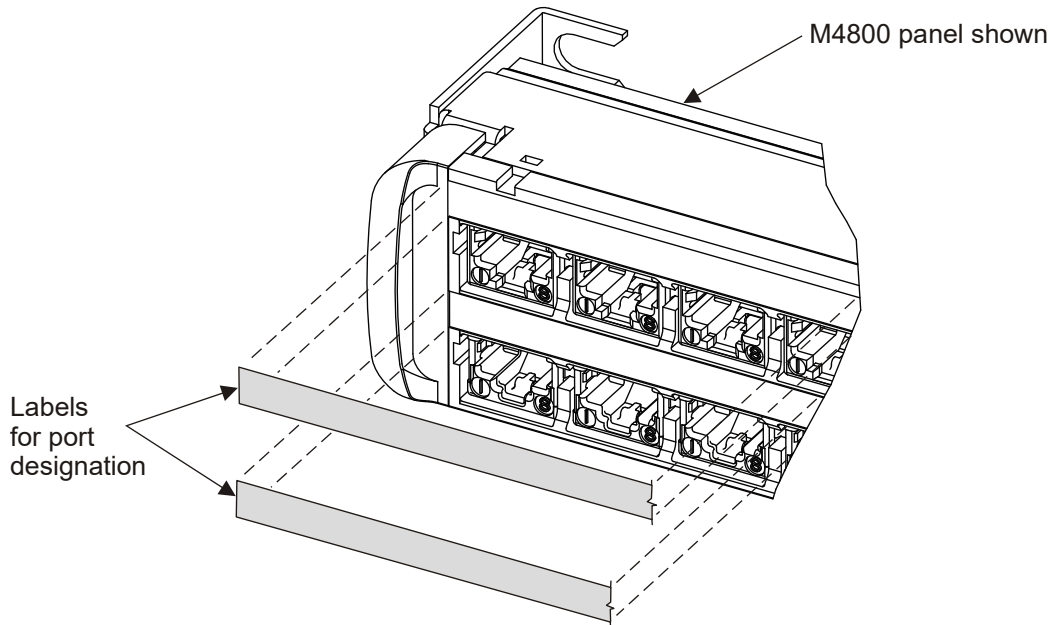


MGS Jack



UNJ Jack

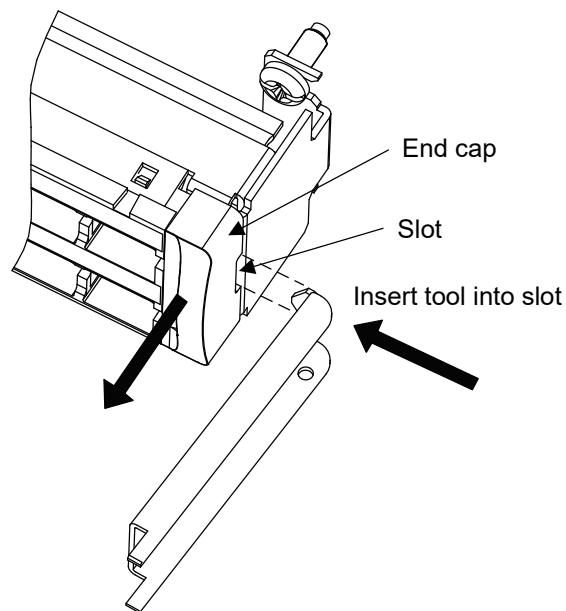
## Step 4 – Install Port Designation Labels



1. Apply labels to front of panel as shown for port designation.

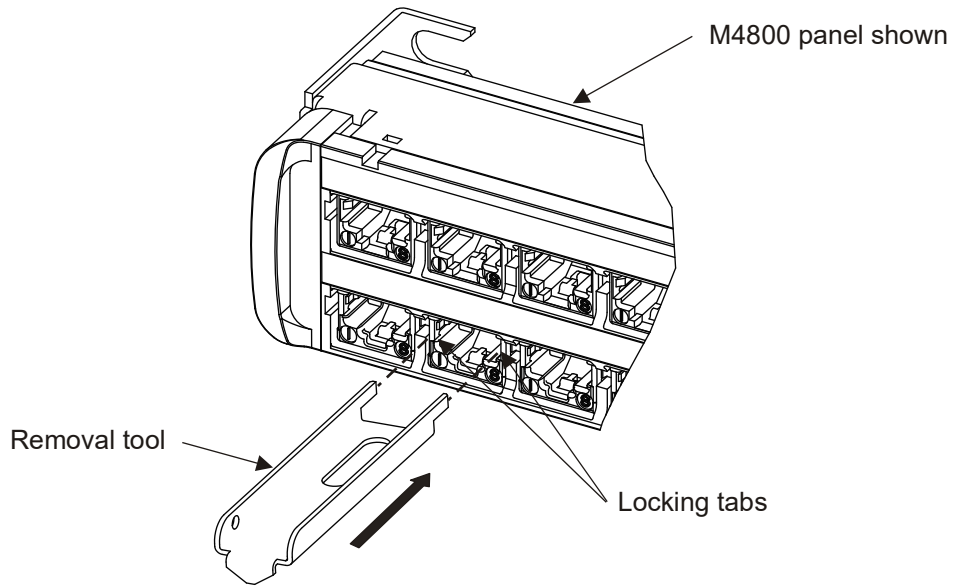
## Step 5 – Using Module Removal Tool (Part of Removal Tool Kit 760122713)

### To Remove End Cap



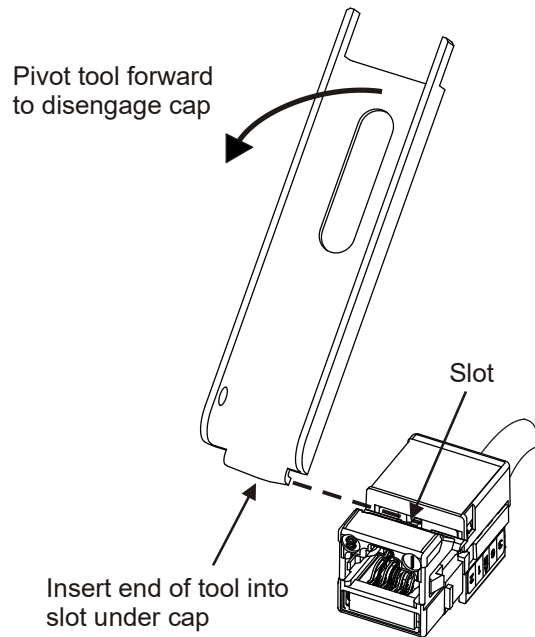
1. Insert provided tool into slot as shown.
2. Use tool to pry end cap loose from panel.

## To Remove an Outlet



1. Position tool as shown and insert into front of outlet to depress locking tabs.
2. Remove outlet from rear of panel

## To Remove Modular Cap



1. Insert tool into slot as shown and pivot forward to disengage modular cap for removal from outlet.