

THIS DRAWING IS UNPUBLISHED.

RELEASED FOR PUBLICATION

© 2016 COMMScope, INC. CONFIDENTIAL

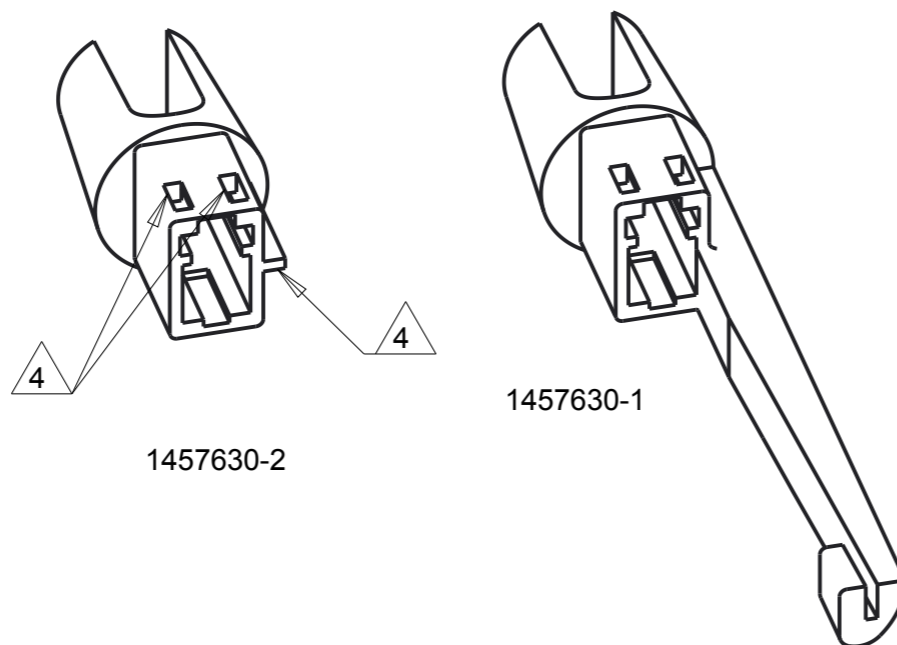
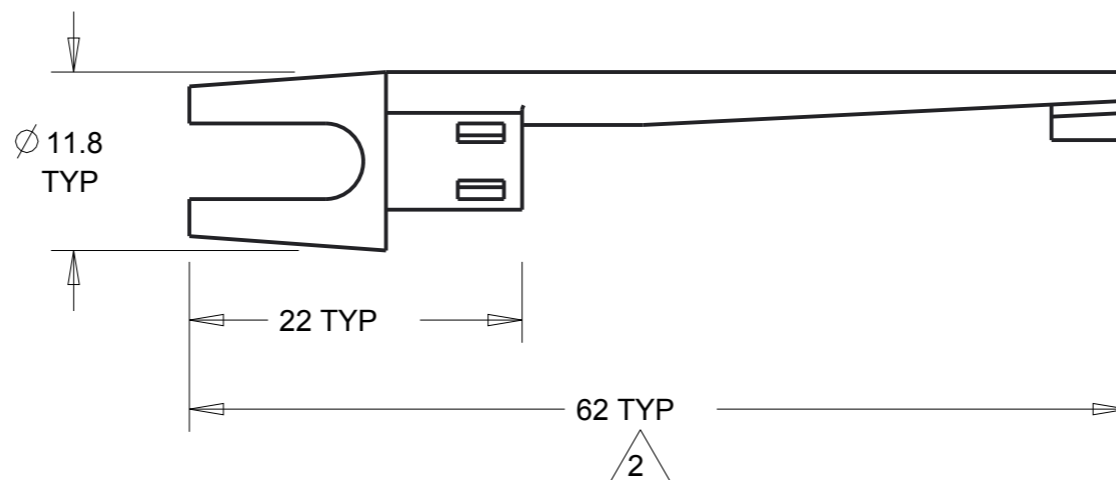
NOTICE: THESE DRAWINGS AND SPECIFICATIONS ARE THE PROPRIETARY PROPERTY OF COMMScope, INC. AND MAY BE USED ONLY FOR THE SPECIFIC PURPOSE AUTHORIZED IN WRITING BY COMMScope, INC.

CE 00

REVISIONS

P	LTR	DESCRIPTION	DATE	DWN	APVD
	A	REV PER 0A00-391-01	25OCT2001	RCF	MG
	B	REVISE PER 0A00-0486-04	14SEP2004	BB	CB
	C	REVISE PER 0A00-0163-05	06JUN05	KG	DK
	D	REBRANDING	17DEC2016		

- 1 MATERIAL: THERMOPLASTIC
- 2 DIMENSION APPLIES TO 1457630-1 ONLY.
- 3 MINIMUM ORDER QUANTITY: 12 PIECE.
- 4 NONFUNCTIONAL FEATURES MAY OR MAY NOT BE PRESENT.



3	JACKET	1457630-2
3	BUFFER	1457630-1
	CABLE TYPE	PART NUMBER

THIS DRAWING IS A CONTROLLED DOCUMENT.		DWN R FLAIG 01JUN2001	COMMScope, INC.	
DIMENSIONS: mm		CHK M GURRERI 01JUN2001		
TOLERANCES UNLESS OTHERWISE SPECIFIED:		APVD S BUCHTER 01JUN2001	NAME FIBER PROTECTOR, LC CONNECTOR	
0 PLC ±-		PRODUCT SPEC	-	
1 PLC ±-		APPLICATION SPEC	-	
2 PLC ±-		WEIGHT	-	
3 PLC ±-		SIZE	A3	RESTRICTED TO
4 PLC ±-		CAGE CODE		
ANGLES ±-		DRAWING NO	C-1457630	
FINISH -		SCALE	2:1	SHEET 1 OF 1
MATERIAL 1		CUSTOMER DRAWING	REV D	