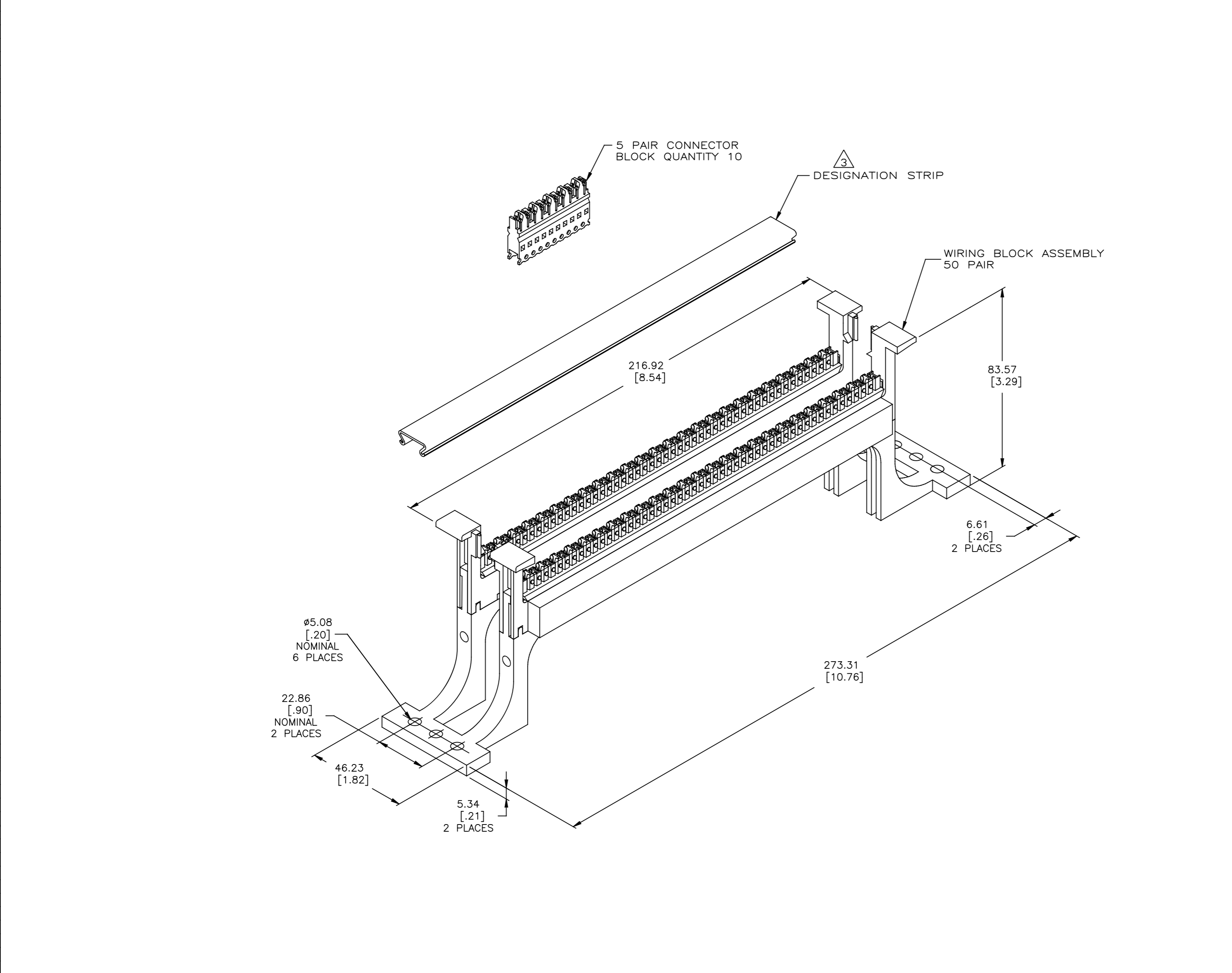


REVISIONS					
P	LTR	DESCRIPTION	DATE	DWN	APVD
A		REV: EC 0210-0510-96	08AUG96	DS	DW
B		REV-ECD-06-017000	17JUL06	LH	SH
C		REV PER BNS_CD_BRAND	20JAN17	GG	DC



- 1 DIMENSIONS ARE MAXIMUM UNLESS OTHERWISE SPECIFIED.
- 2 MATERIAL: WIRING BLOCK ASSEMBLY AND CONNECTOR BLOCK- POLYCARBONATE MOLDING COMPOUND, FLAME RETARDANT, IVORY.
DESIGNATION STRIP- RIGID PVC, CLEAR.
TERMINALS- PHOSPHOR BRONZE PLATED WITH 3.81 [.000150] MINIMUM BRIGHT MATTE-TIN OVER 1.27m [.000050] MINIMUM NICKEL UNDERPLATE.
- 3 WHITE, DESIGNATION STRIP LABEL NOT SHOWN.
- 4. PACKAGE ONE KIT PER POLYBAG.
- 5 LACING STRIPS MARKED BLACK EVERY FIFTH PAIR.

569434-1
PART NO.

THIS DRAWING IS A CONTROLLED DOCUMENT.		DWN L SMITH 9-18-95	COMMSCOPE, INC.	
DIMENSIONS: mm[INCHES]		CHK B. FOX 11-01-95	NAME D. WILLIS 11-01-95	
TOLERANCES UNLESS OTHERWISE SPECIFIED:		APVD D. WILLIS 11-01-95	PRODUCT SPEC	
0 PLC ± -		APPLICATION SPEC		
1 PLC ± -		WEIGHT		
2 PLC ± -		SIZE A1		
3 PLC ± -		CAGE CODE -		
4 PLC ± -		DRAWING NO. 569434		
ANGLES ± -		RESTRICTED TO -		
FINISH		SCALE 1:1		
MATERIAL		SHEET 1 OF 1		
CUSTOMER DRAWING		REV C		