

629383 Revision B, May 2016

Mounting Kit For Metro Cell Antennas MC-MNT-3XV-SIDE Mounting Kits

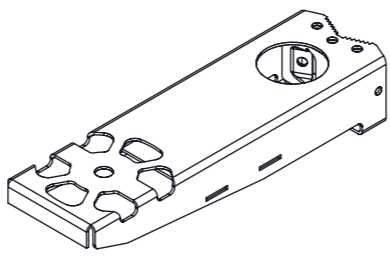
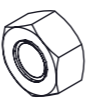
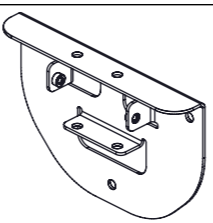
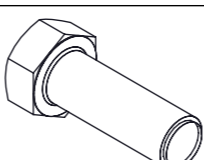


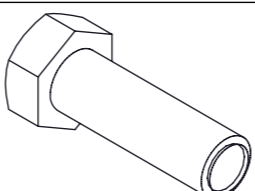
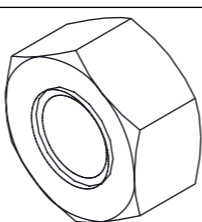
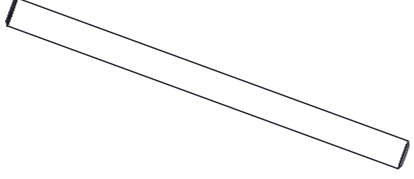
GENERAL INFORMATION

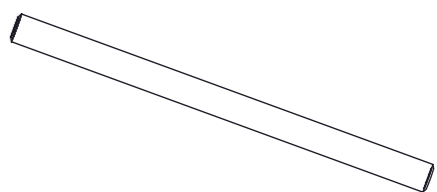

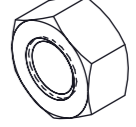
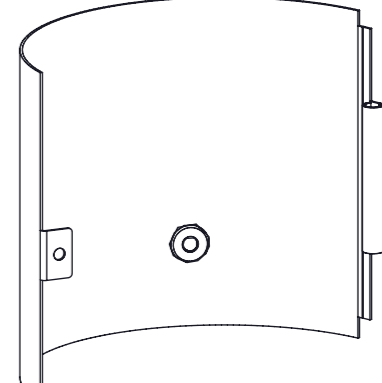
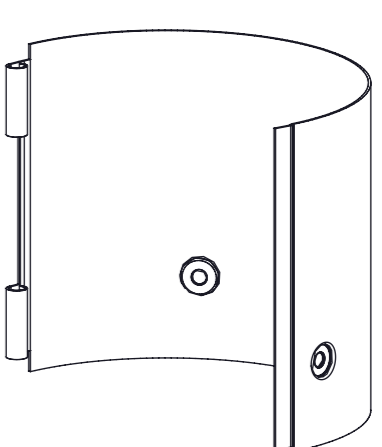


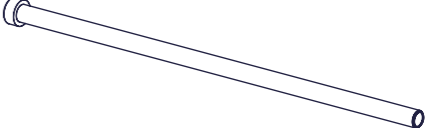

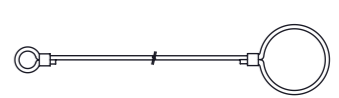

- Offset of pole mounting option
Fits round members 1.9" to 3.8" (50 to 97 mm) pole diameter.
- Wall mounting option

PRE-INSTALLATION INSTRUCTIONS

- Examine antenna and hardware to ensure that all parts are enclosed and that there is no physical damage.
- Verify that the frequency range shown on the label on the bottom of the antenna matches the frequency range of the station equipment.

PARTS LIST

Item	Description	Qty	Image
1	Side Mount Bracket	1	
2	M6 Hex Nut	2	
3	Wall Mount Adapter	1	
4	Pipe Clamp Bracket	1	
5	M10 X 30 Hex Head Screw	2	
6	M10 Lock Washer	2	
7	M10 Flat Washer	2	
8	M24 X 75 Hex Head Screw	1	
9	M24 Flat Washer	3	
10	M24 Hex Nut	2	
11	M12 X 180 Threaded Stud	2	

Item	Description	Qty	Image
12	M12 X 245 Threaded Stud	2	
13	M12 Flat Washer	8	
14	M12 Hex Nut	16	
15	Base Cover	1	
16	Base Cover	1	
17	Retention Washer	3	
18	Thumb Screw	3	
19	Base Cover Shaft	1	
20	Shoulder Washer	6	
21	Lanyard	1	
22	Cable Tie	1	

SAFETY NOTICE

The installation, maintenance, or removal of an antenna requires qualified, experienced personnel. CommScope installation instructions are written for such installation personnel. Antenna systems should be inspected once a year by qualified personnel to verify proper installation, maintenance, and condition of equipment.

CommScope disclaims any liability or responsibility for the results of improper or unsafe installation practices.

It is recommended that transmit power be turned off when the field installation is performed. Follow all applicable safety precautions as shown on this page.



Do not install near power lines. Power lines, telephone lines, and guy wires look the same. Assume any wire or line can electrocute you.



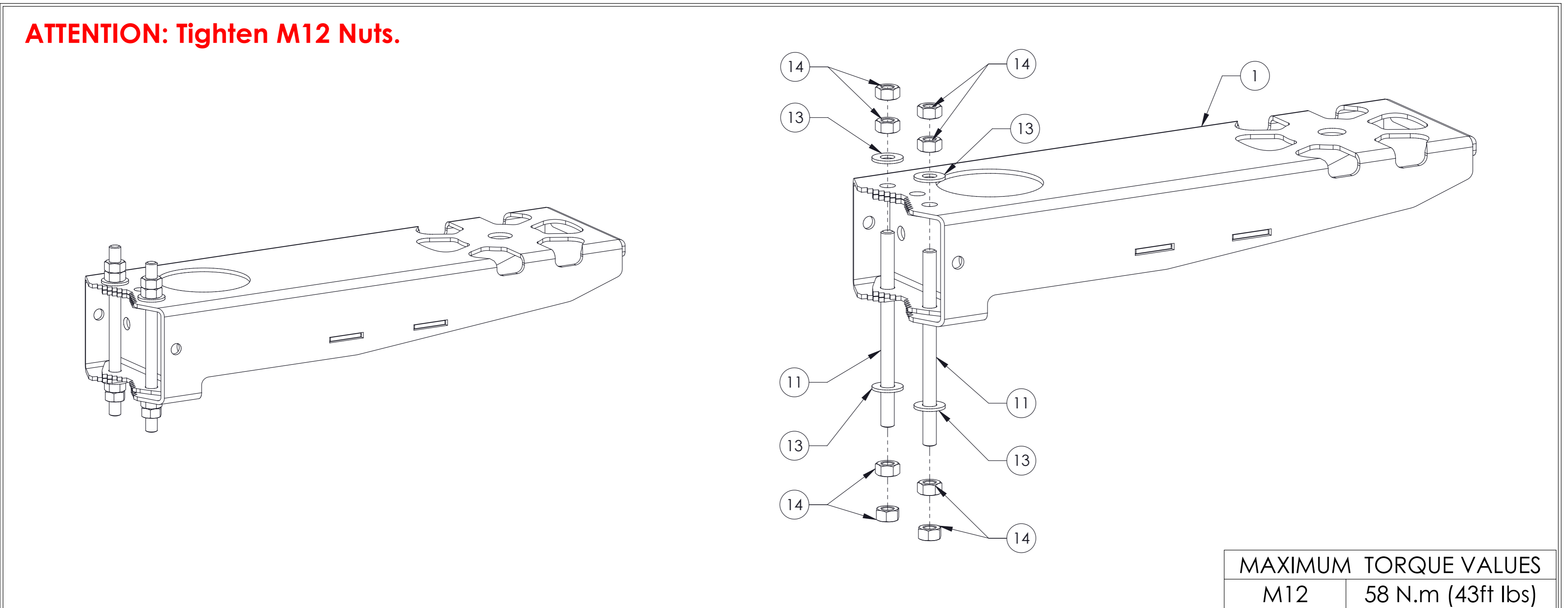
Do not install on a wet or windy day or when lightning or thunder is in the area. Do not use metal ladder.



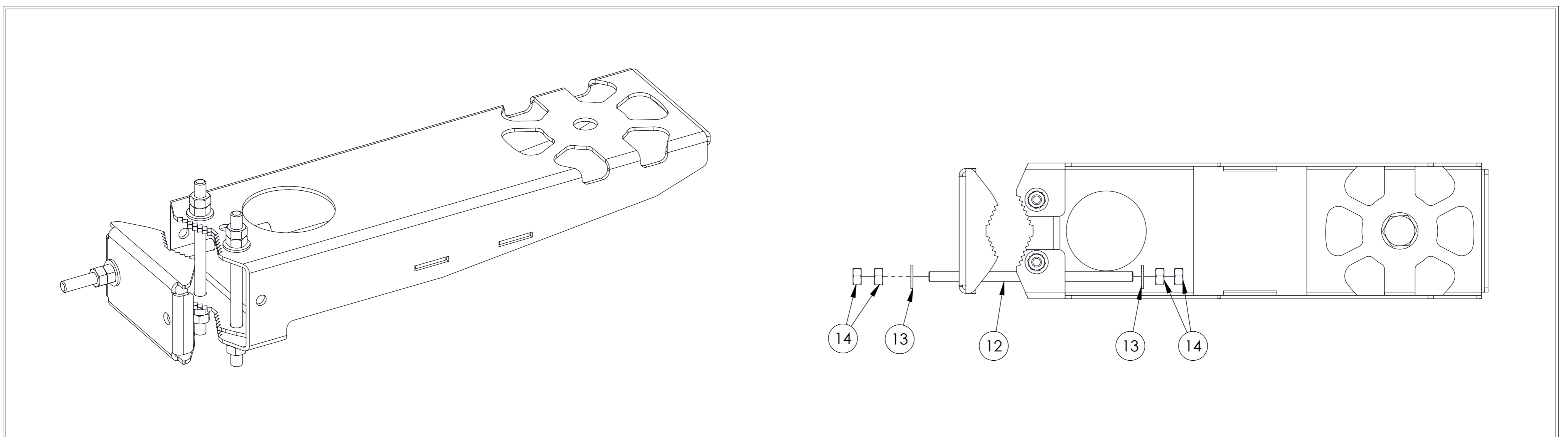
Wear shoes with rubber soles and heels. Wear protective clothing including a long-sleeved shirt and rubber gloves.

Offset Pole Mount Installation

ATTENTION: Tighten M12 Nuts.

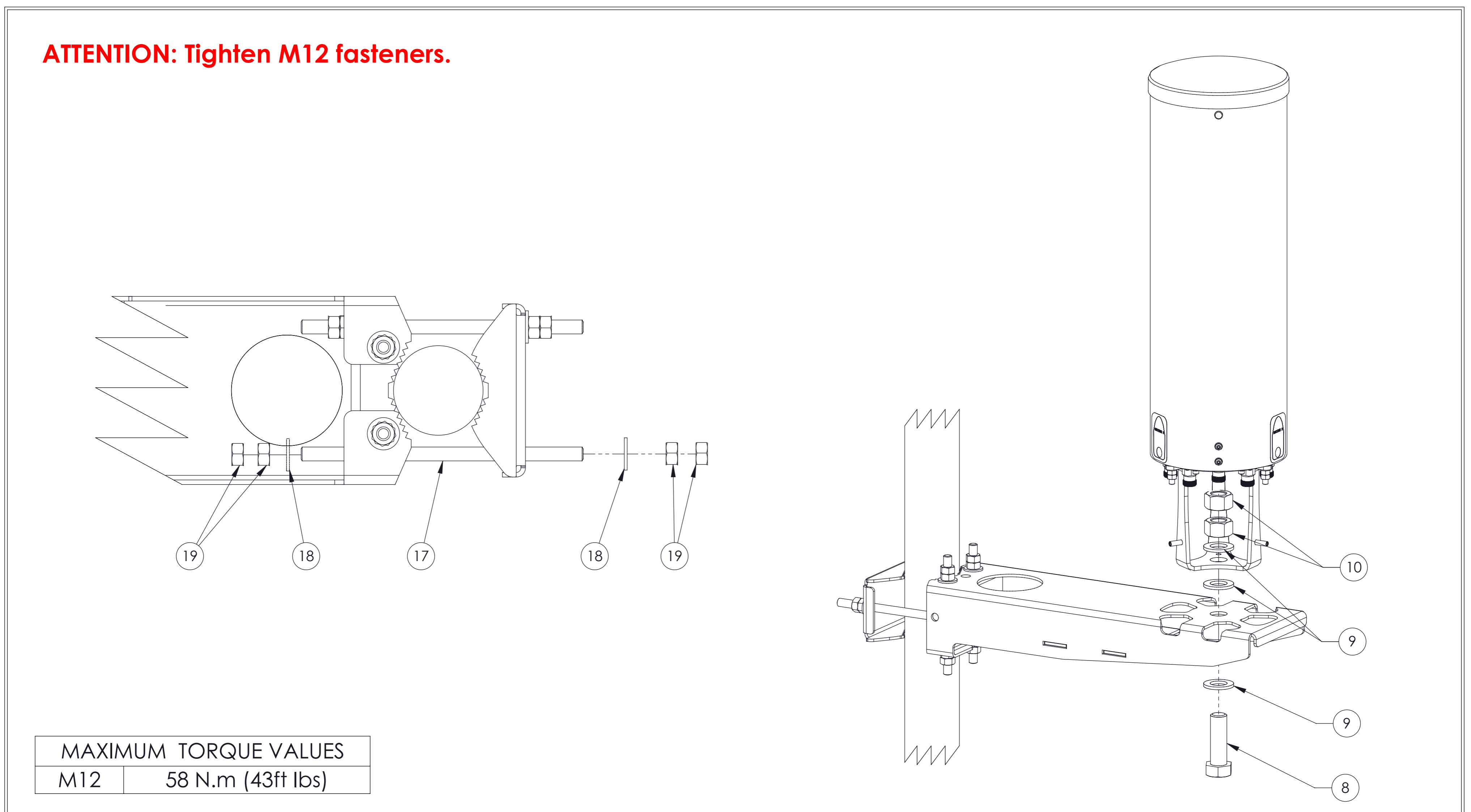


Install hardware



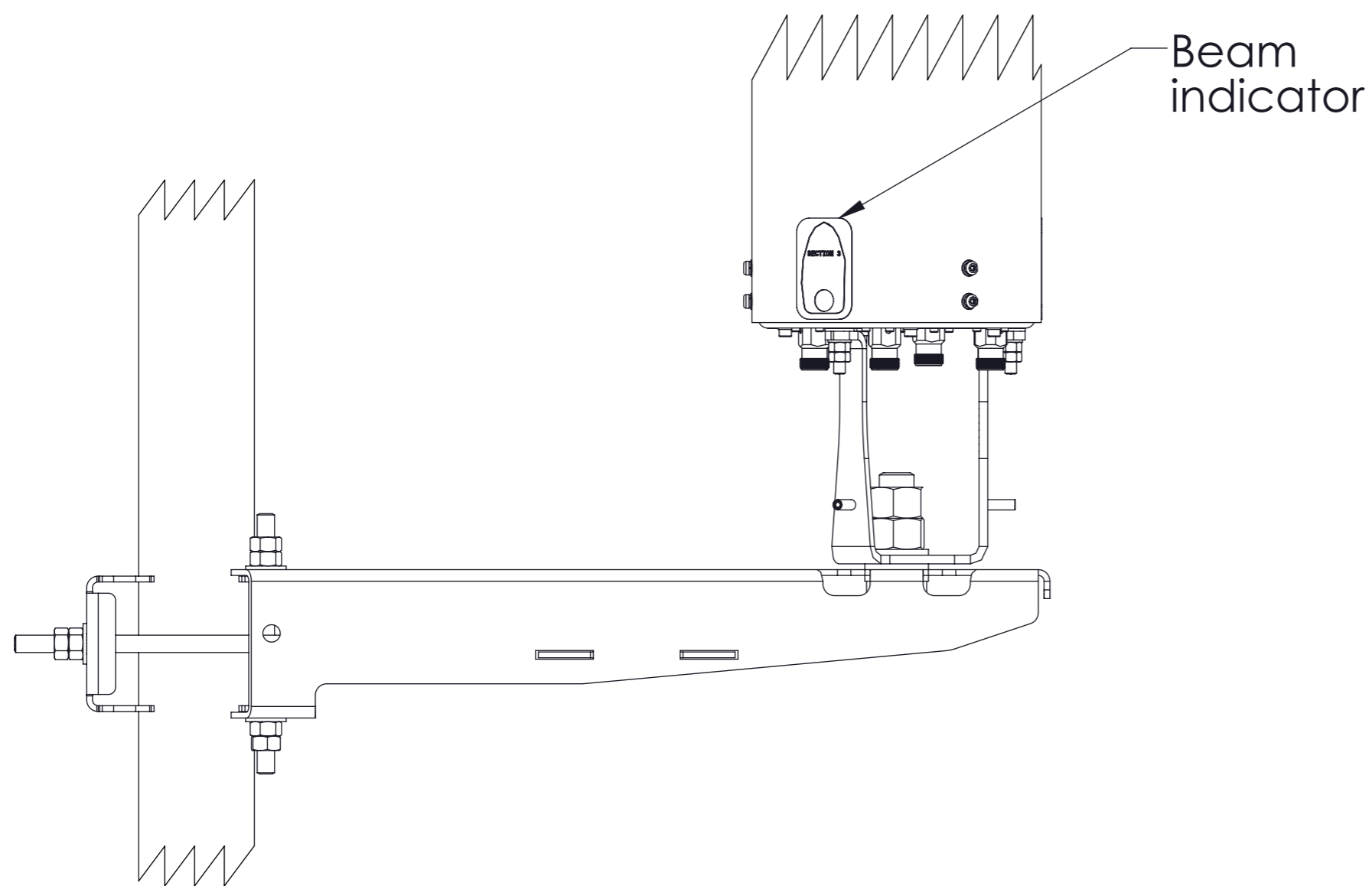
Add other pipe clamp bracket

ATTENTION: Tighten M12 fasteners.

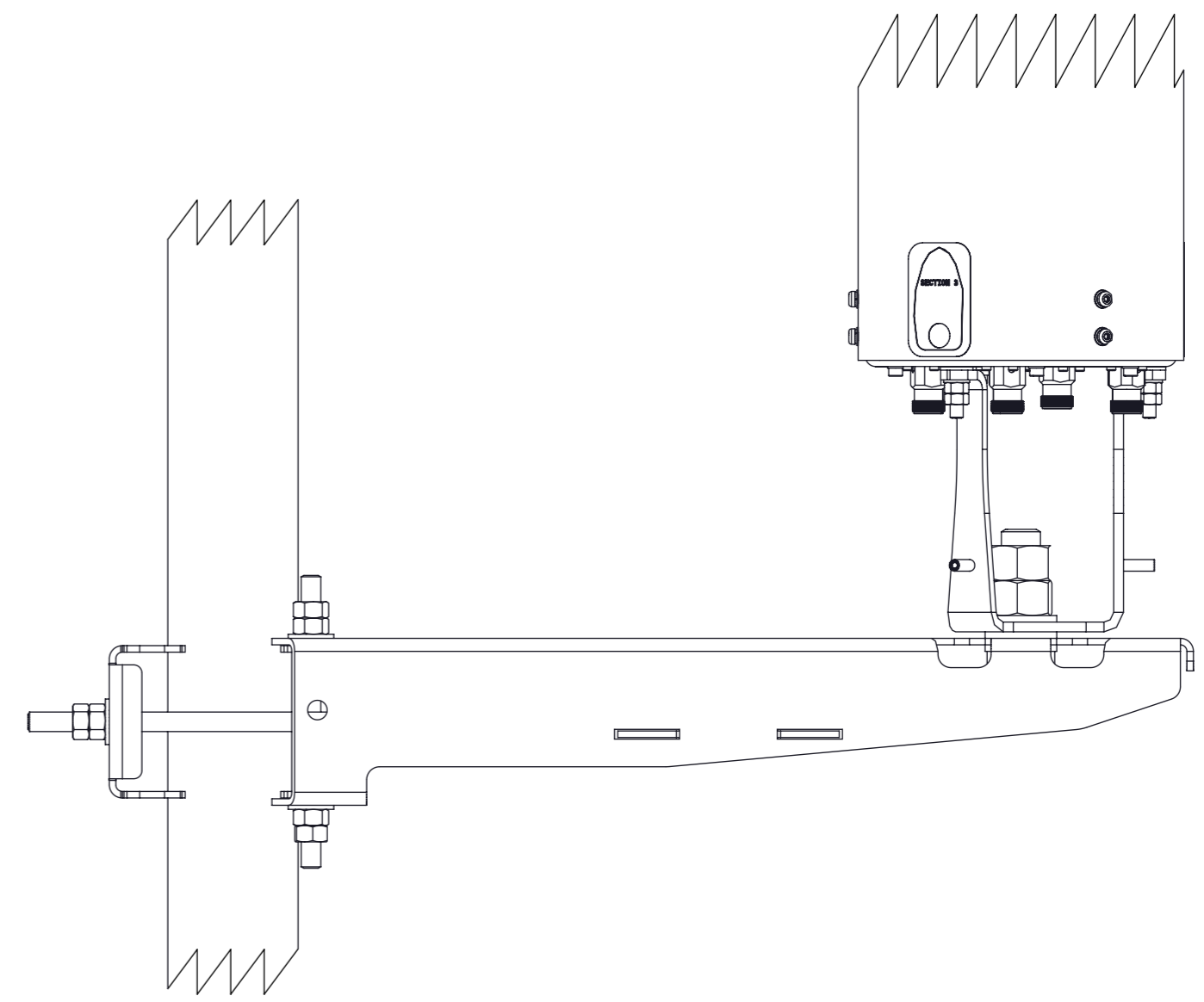


Mount antenna on bracket

ATTENTION: Orient the antenna unit so that the beam indicator on antenna is directed where beam is desired.



ATTENTION: Tighten all fasteners



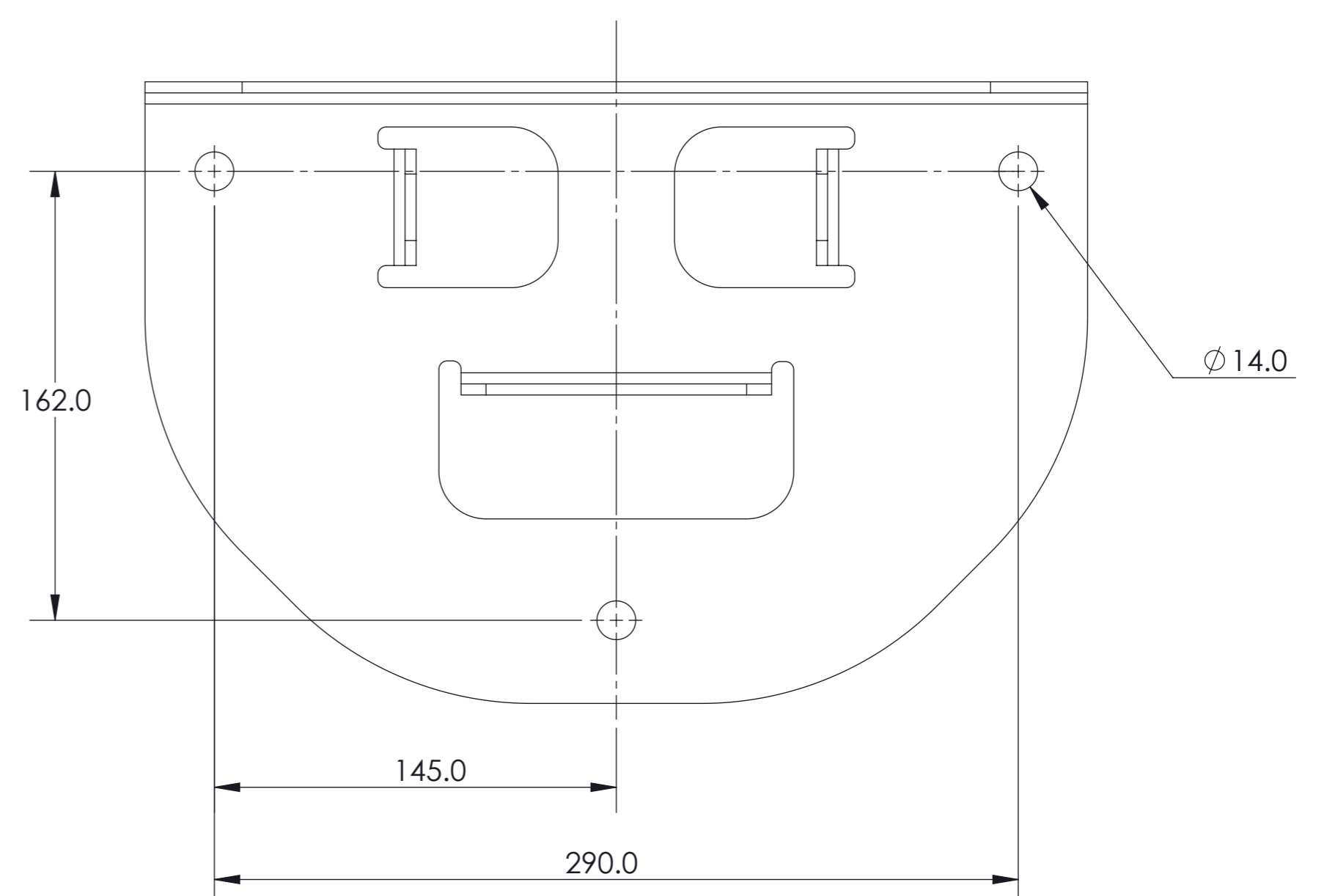
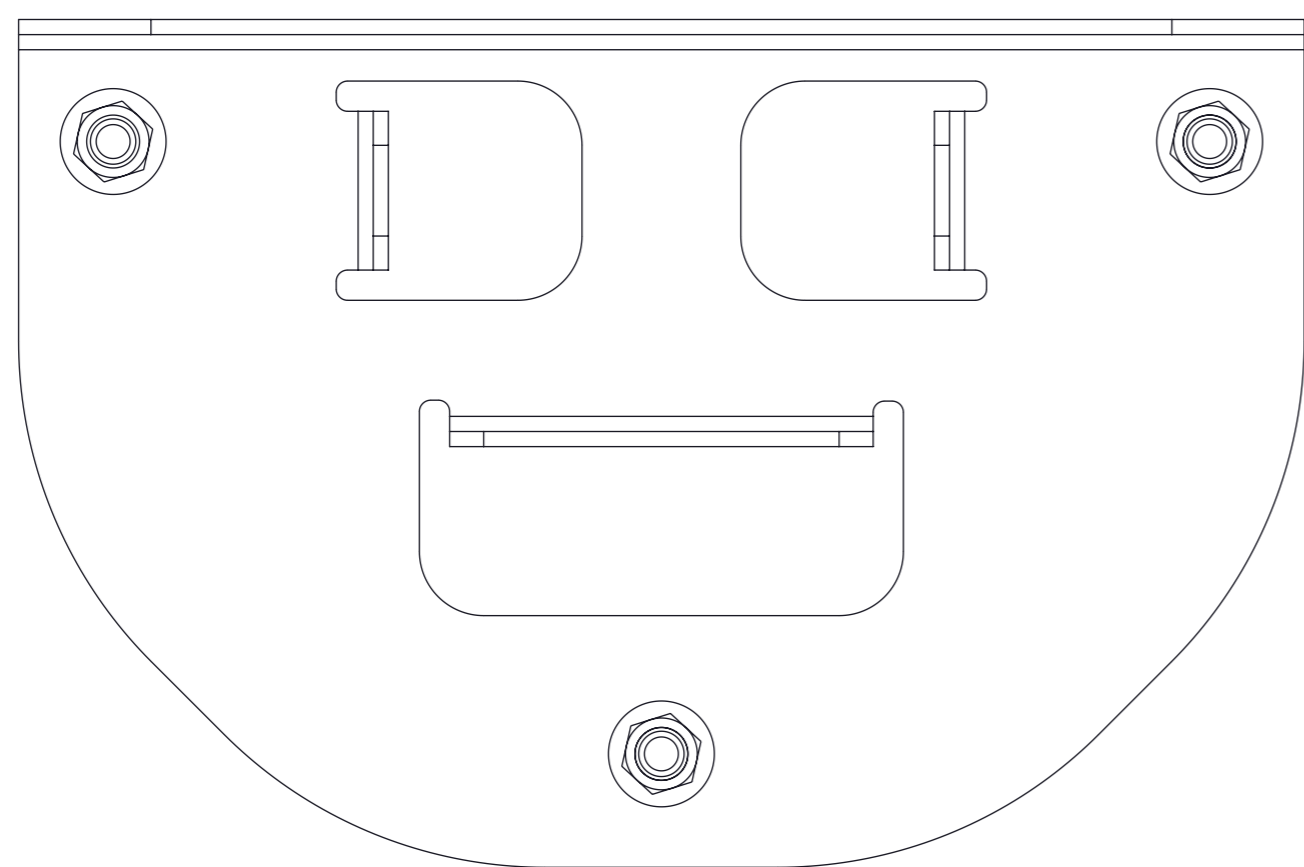
MAXIMUM TORQUE VALUES	
M24	100 N.m (74ft lbs)

Orient antenna

Wall Mount installation

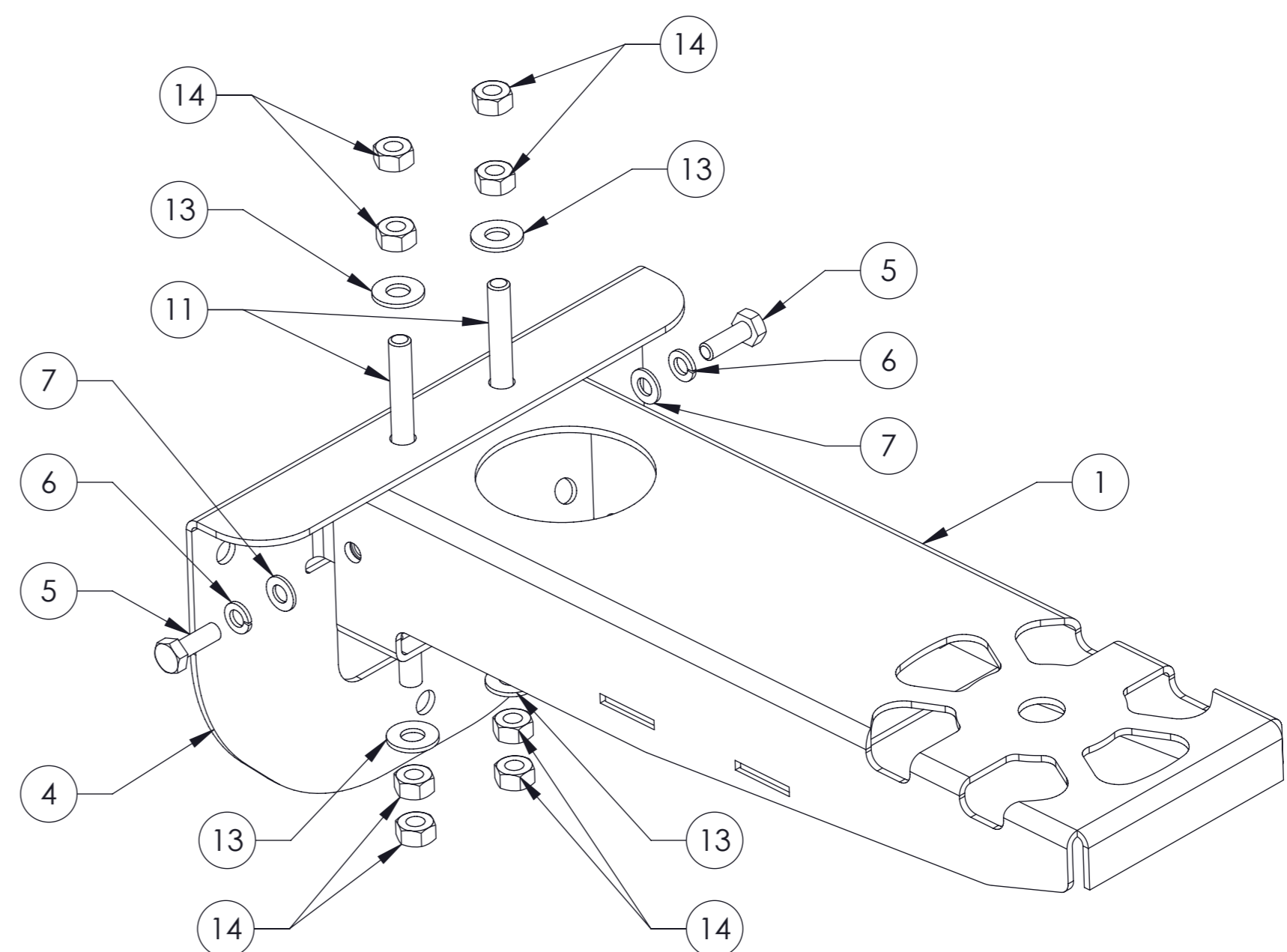
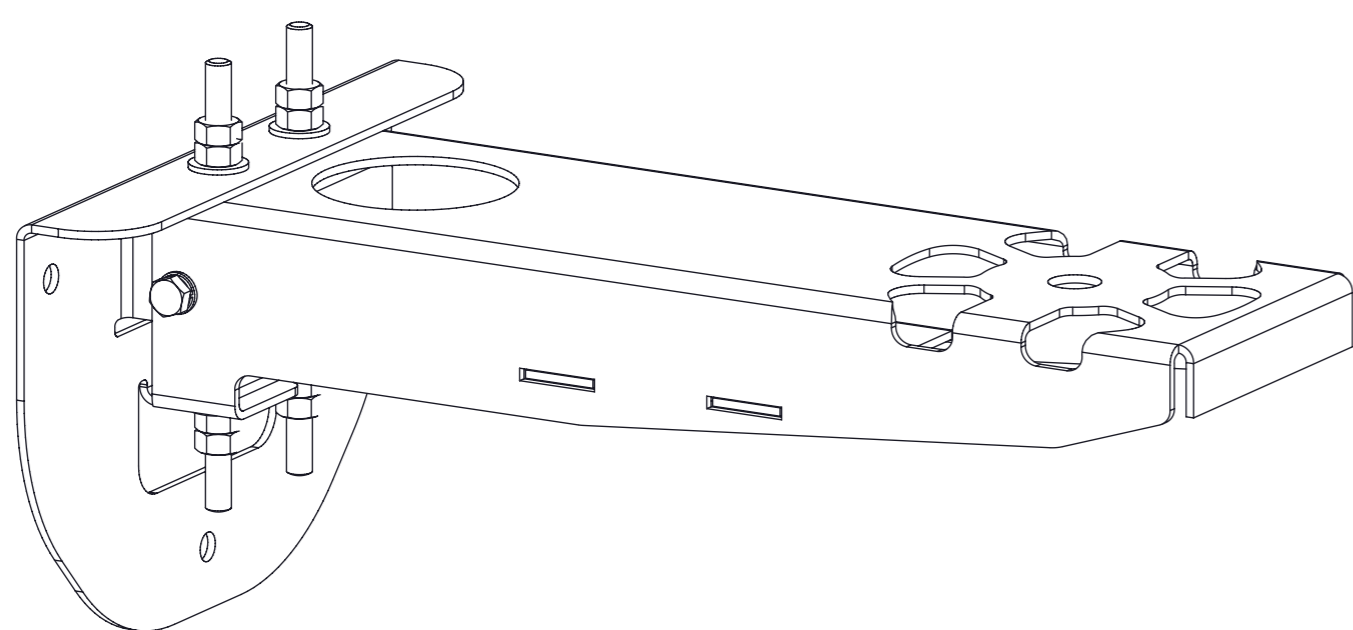
Hardware to attach bracket to wall is not included. M12 hardware is recommended.

Minimum pull out force is 4.4 KN.
Minimum shear force is 2.4 KN.



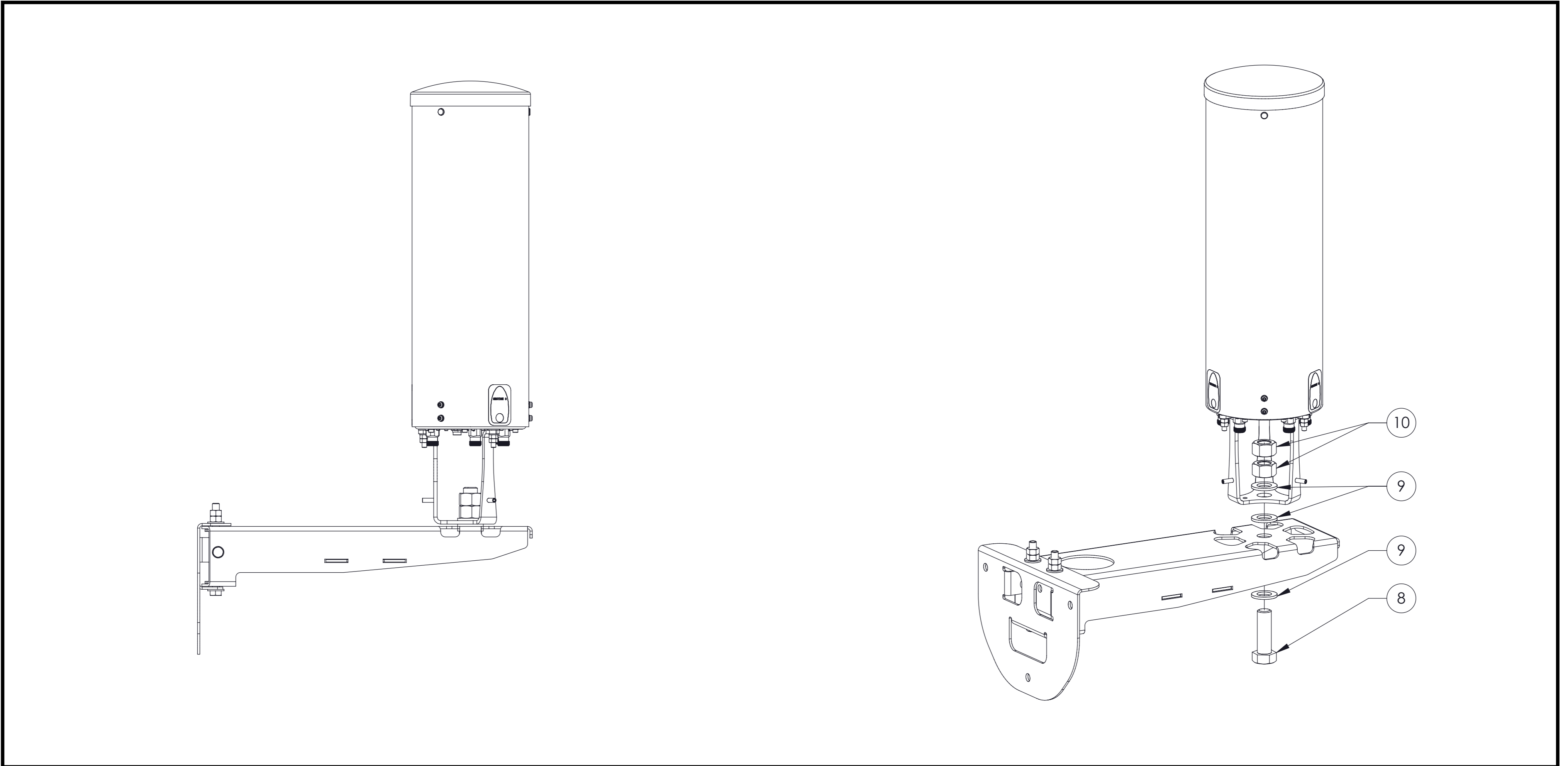
Wall mount hole layout

ATTENTION: Tighten all fasteners



MAXIMUM TORQUE VALUES	
M10	25 N.m (18.5ft lbs)
M12	58 N.m (43ft lbs)

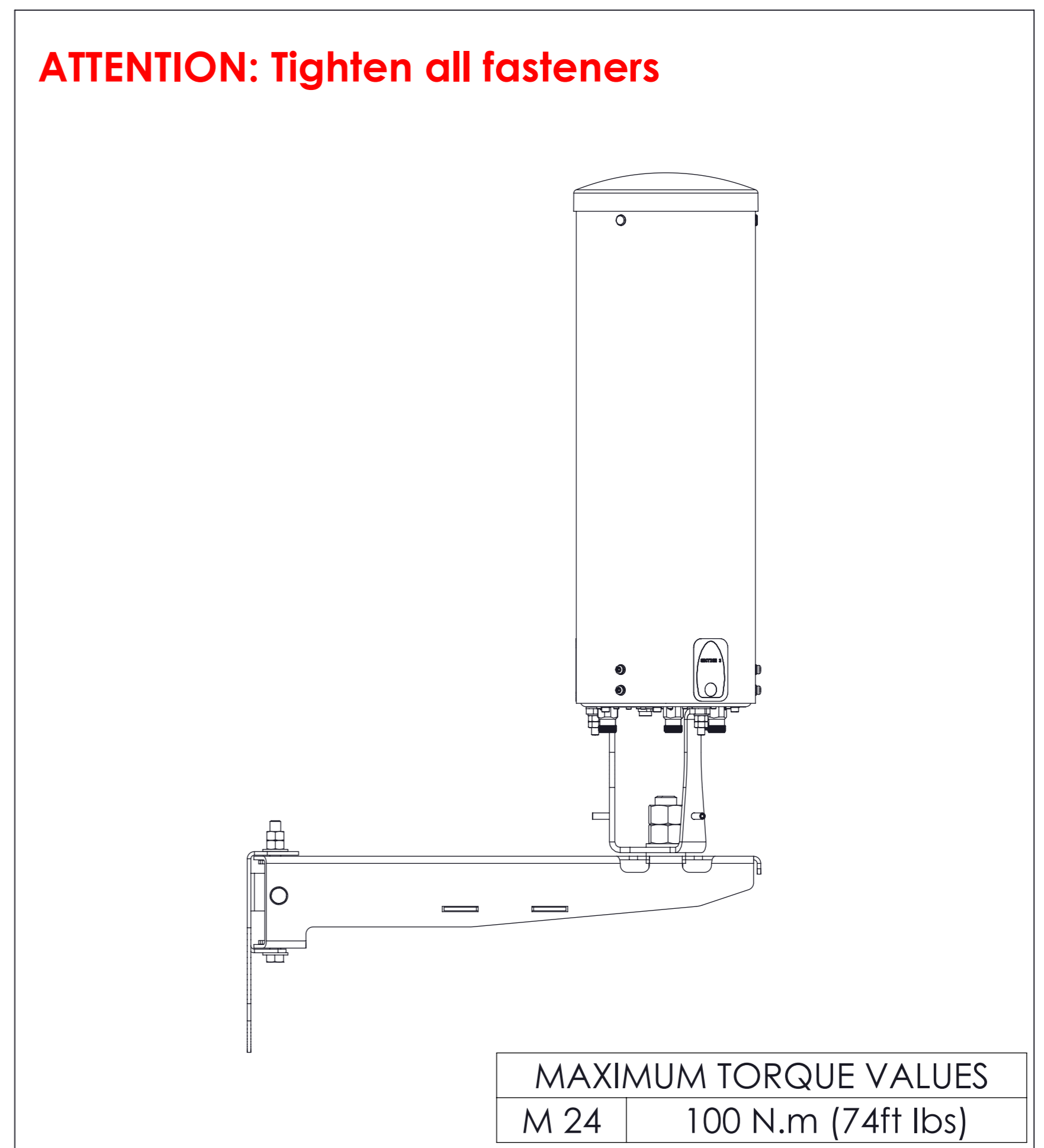
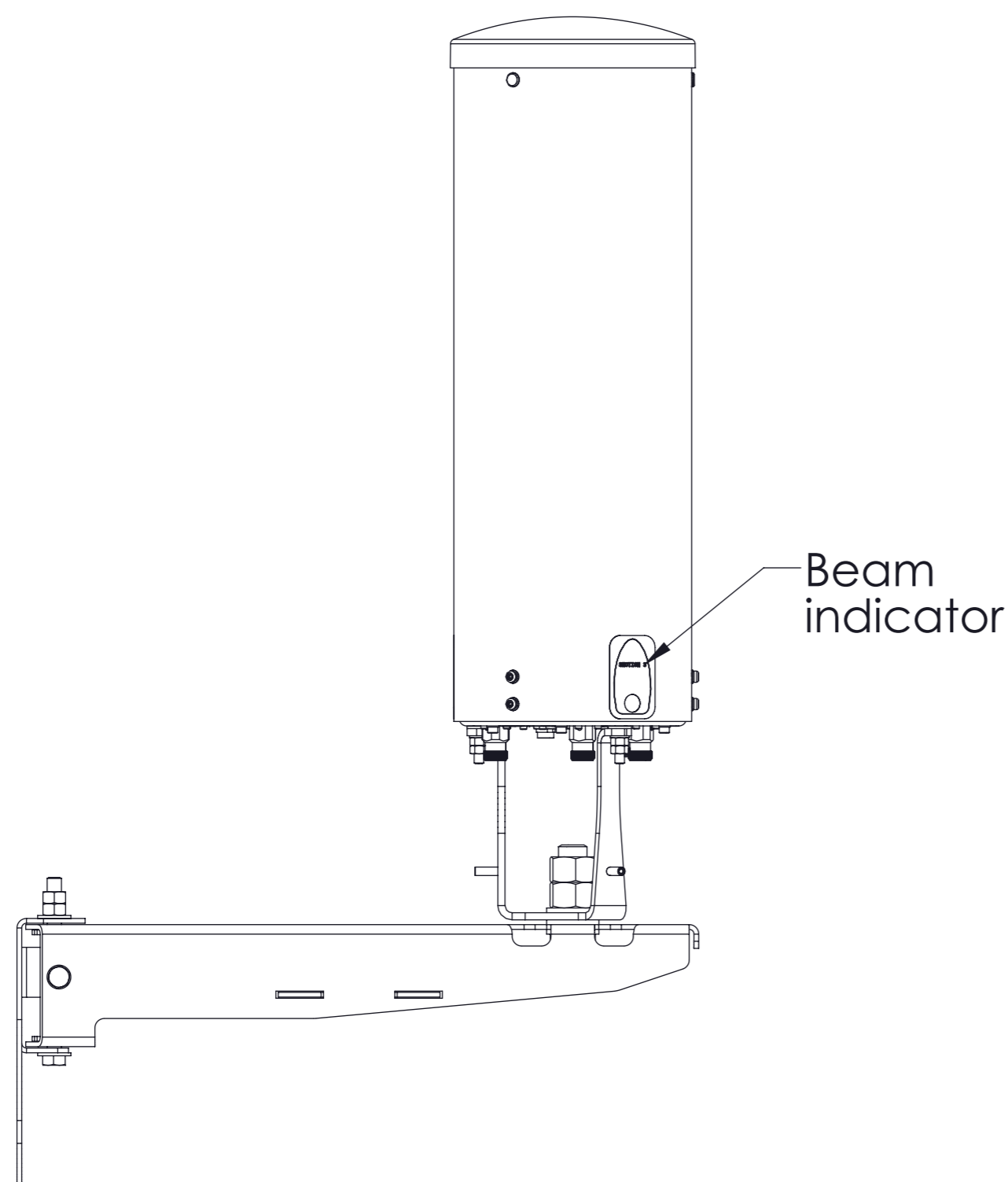
Assemble side mount bracket and wall mount adapter



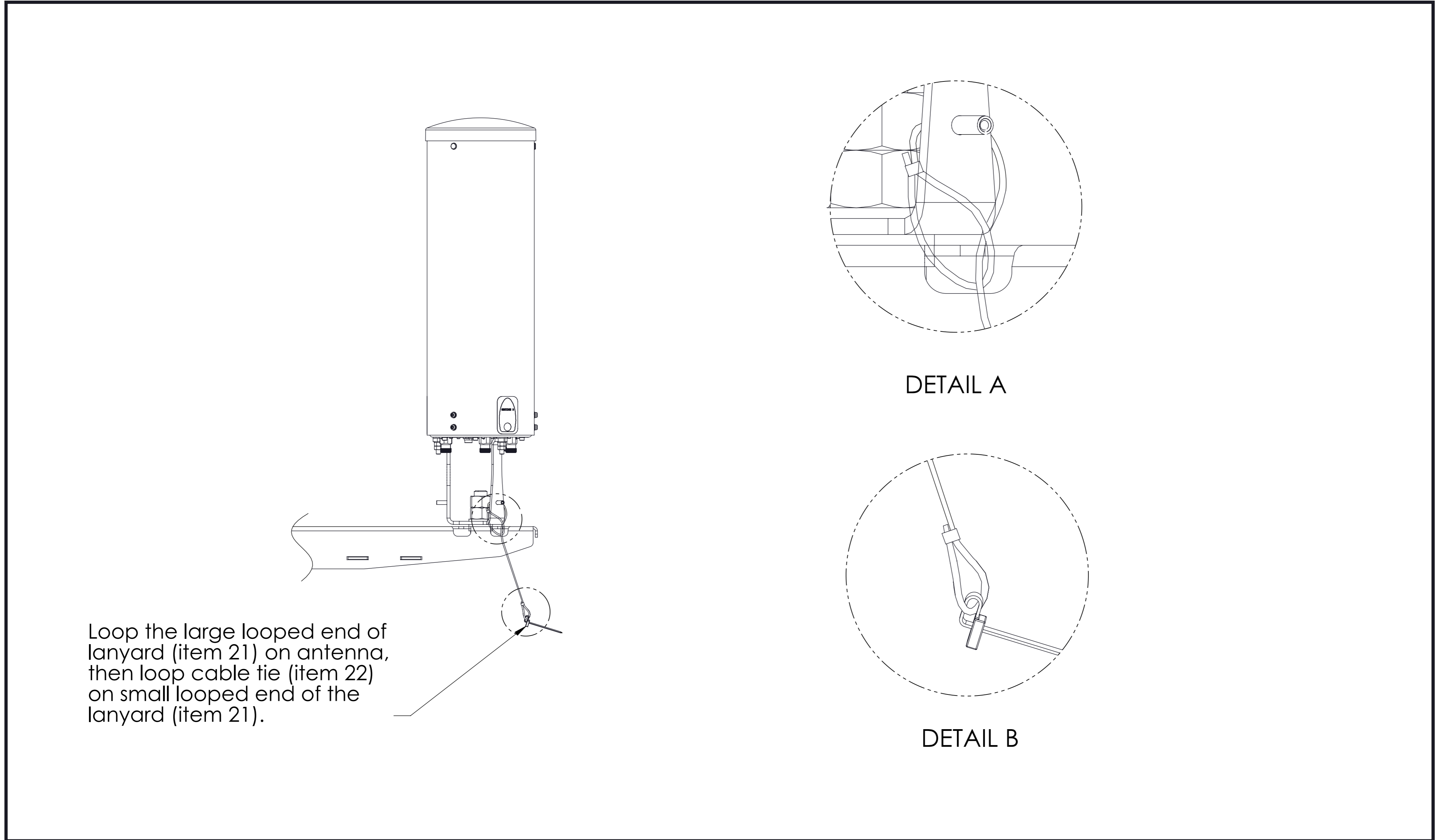
Mount antenna

ATTENTION: Orient the antenna unit so that the beam indicator on each antenna is directed where beam is desired.

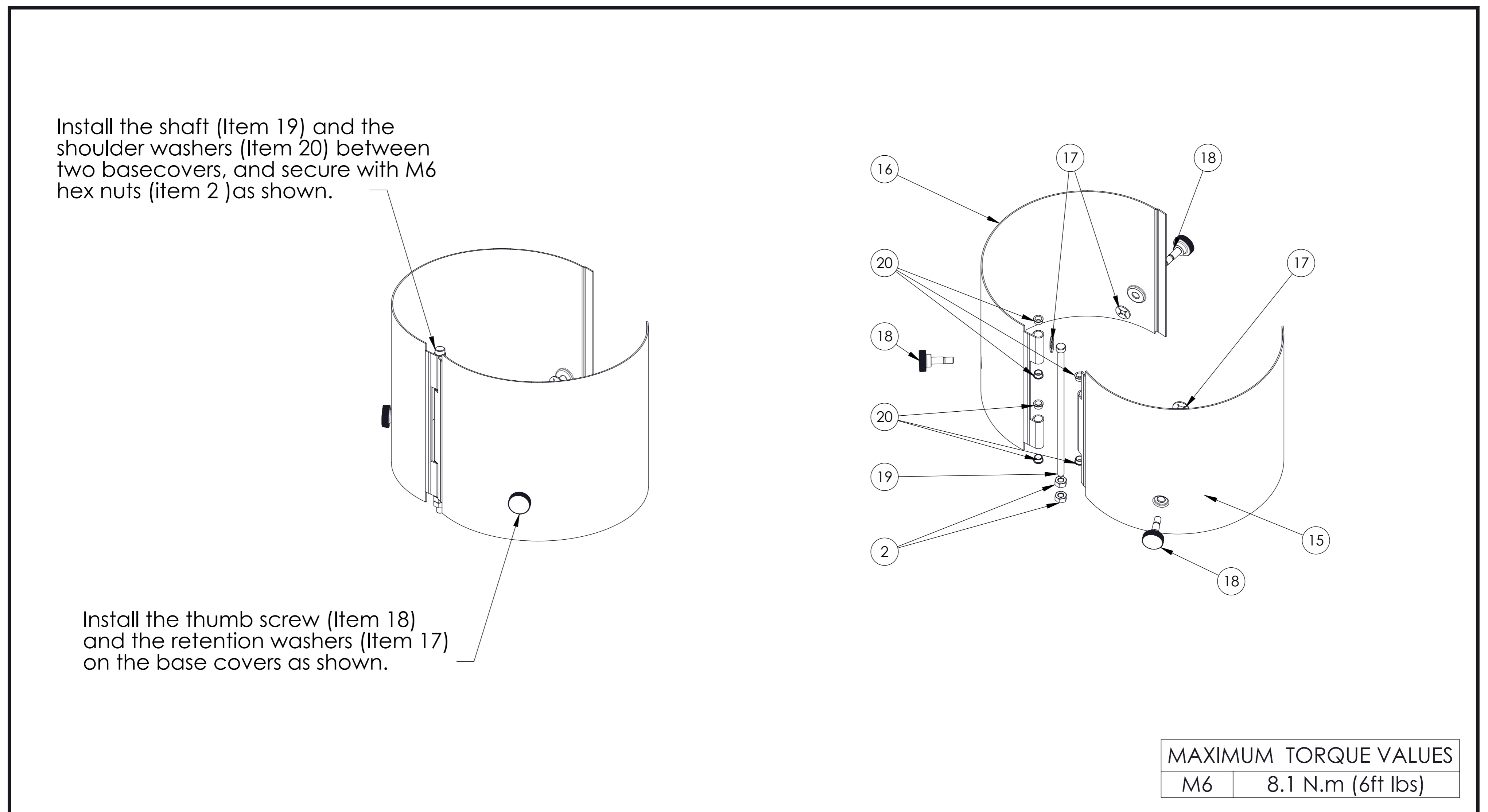
ATTENTION: Tighten all fasteners



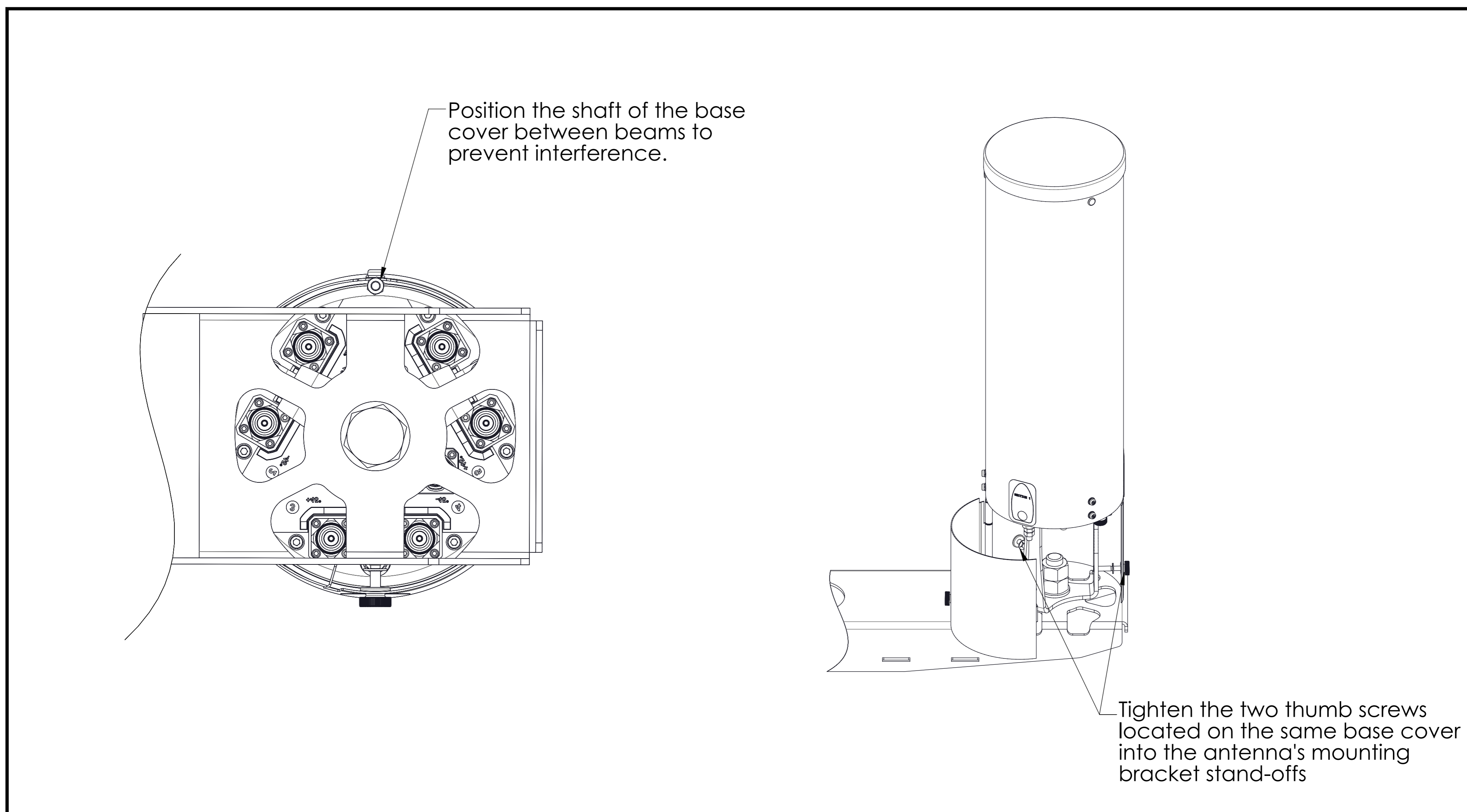
Orient antenna



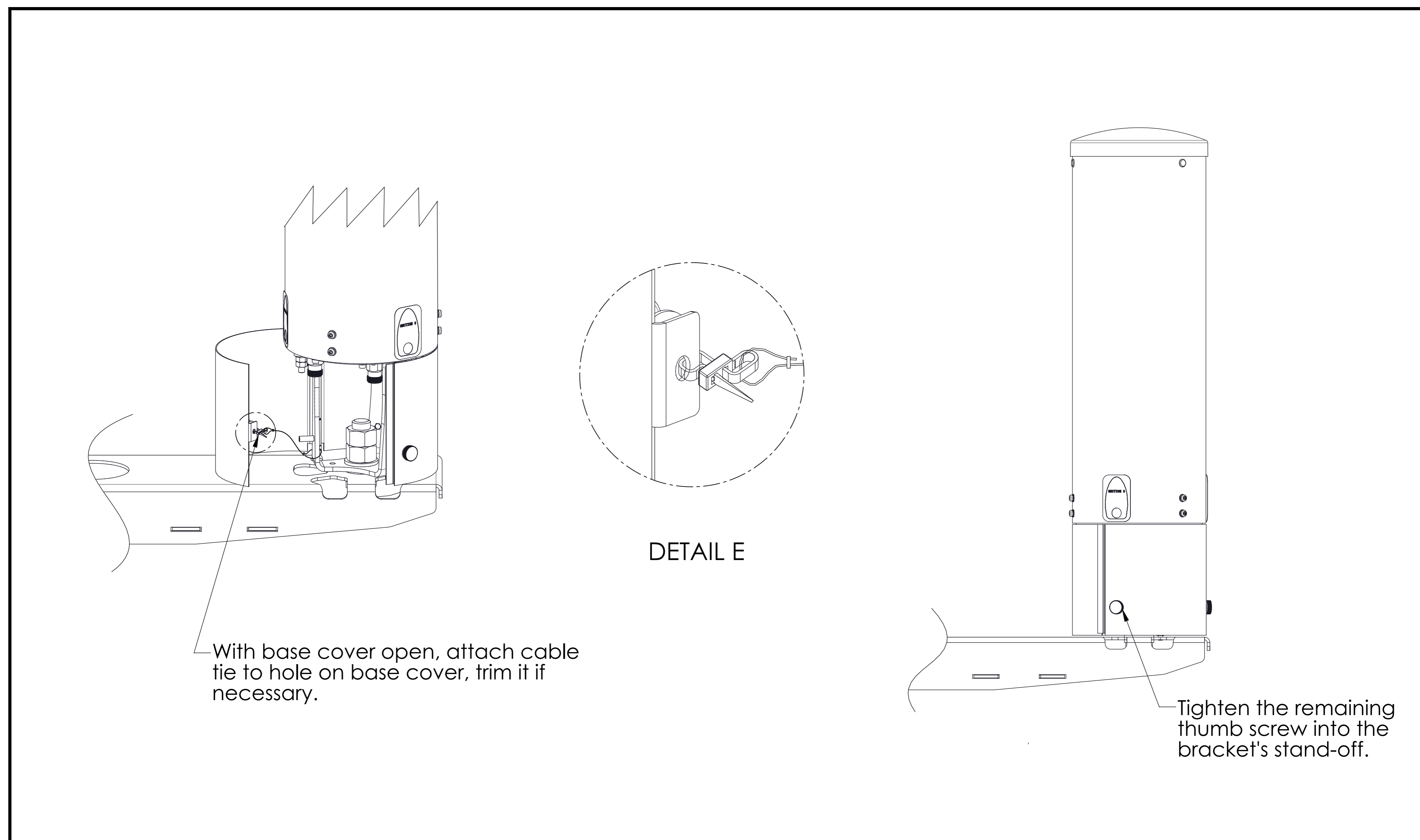
Install the lanyard on the bracket



Base cover installation both for offset and wall mounting option



Install the Base cover on the bracket



Install the lanyard on the base cover and secure the other base cover on the bracket