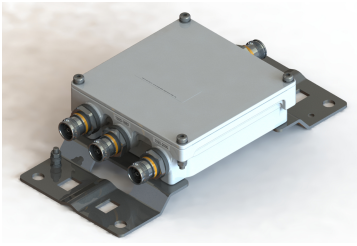


# E14F10P78



## Ultra Compact Single Triplexer 698-960/1350-1880/1920-2690, 4.3-10 connectors

- Ideal for small cell applications
- Compact form factor with reduced size and weight
- Suitable for space limited applications like Metro Cell, Lamp Pole, Concealment Solution and Macro Site
- New 4.3-10 connectors for improved PIM performance and size reduction
- Single configuration
- dc/AISG pass-through on low frequency ports

## Product Classification

**Product Type** Triplexer

## General Specifications

**Color** Gray

**Modularity** 1-Single

**Mounting** Pole | Wall

**Mounting Pipe Hardware** Band clamps (2)

**RF Connector Interface** 4.3-10 Female

## Dimensions

**Height** 48 mm | 1.89 in

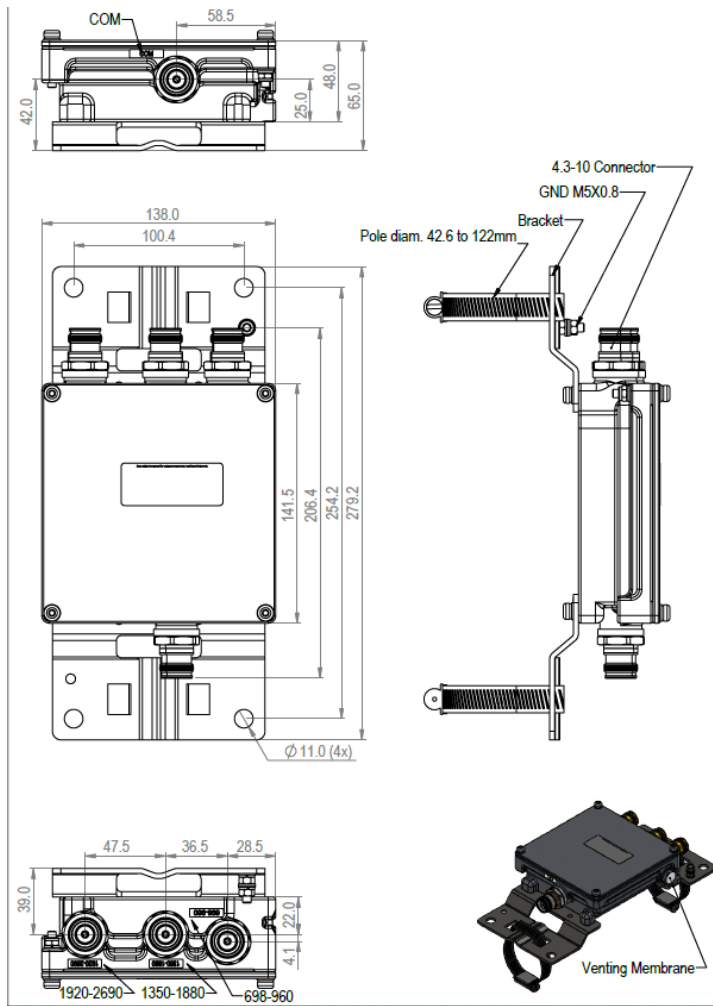
**Width** 138 mm | 5.433 in

**Depth** 141.5 mm | 5.571 in

**Mounting Pipe Diameter Range** 42.6–122 mm

## Outline Drawing

# E14F10P78



## Electrical Specifications

**Impedance** 50 ohm

## Electrical Specifications, dc Power/Alarm

**dc/AISG Pass-through Path** Branch 1

**dc/AISG Pass-through, combiner** Branch 1

**dc/AISG Pass-through, demultiplexer** Branch 1

**Lightning Surge Current** 5 kA

**Lightning Surge Current Waveform** 8/20 waveform

## Electrical Specifications

**Sub-module**

1 | 2

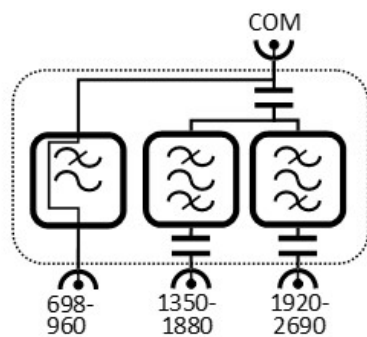
1 | 2

1 | 2

# E14F10P78

Branch	1	2	3
Port Designation	698-960	1350-1880	1920-2690
<b>Electrical Specifications, Band Pass</b>			
Frequency Range, MHz	<b>698–960</b>	<b>1350–1880</b>	<b>1920–2690</b>
Insertion Loss, typical, dB	0.1	0.25	0.2
Return Loss, typical, dB	22	22	22
Isolation, typical, dB	52	38	38
Input Power, RMS, maximum, W	100	100	100
Input Power, PEP, maximum, W	1000	1000	1000
3rd Order PIM, typical, dBc	-162	-162	-162
3rd Order PIM Test Method	Two +43 dBm carriers	Two +43 dBm carriers	Two +43 dBm carriers

## Block Diagram



## Environmental Specifications

Operating Temperature	-40 °C to +65 °C (-40 °F to +149 °F)
Corrosion Test Method	IEC 60068-2-11, 30 days
Environmental Test Method	ETSI EN 300 019-1-4
Ingress Protection Test Method	IEC 60529:2001, IP67

## Packaging and Weights

Included	Mounting hardware
Volume	0.95 L
Weight, net	2 kg   4.409 lb
Weight, without mounting hardware	1.5 kg   3.307 lb