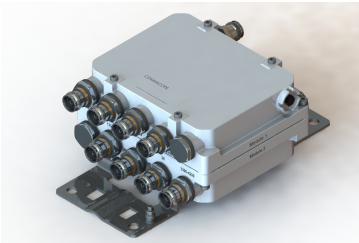


E14F15P33



Twin Quadplexer 1350-2200/2300-2400/2496-2700/3300-4200, No dc bypass, with 4.3-10 connectors

- New Combining Solution to introduce 5G, 3.5GHz band
- Industry leading PIM performance
- New 4.3-10 connectors for improved PIM performance and size reduction
- Suitable for feeders cables reduction
- dc/AISG blocking on all ports
- Clam shell configuration

Product Classification

Product Type Quadriplexer

General Specifications

Color Gray

Modularity 2-Twin

Mounting Pole | Wall

Mounting Pipe Hardware Band clamps (2)

RF Connector Interface 4.3-10 Female

Dimensions

Height 87 mm | 3.425 in

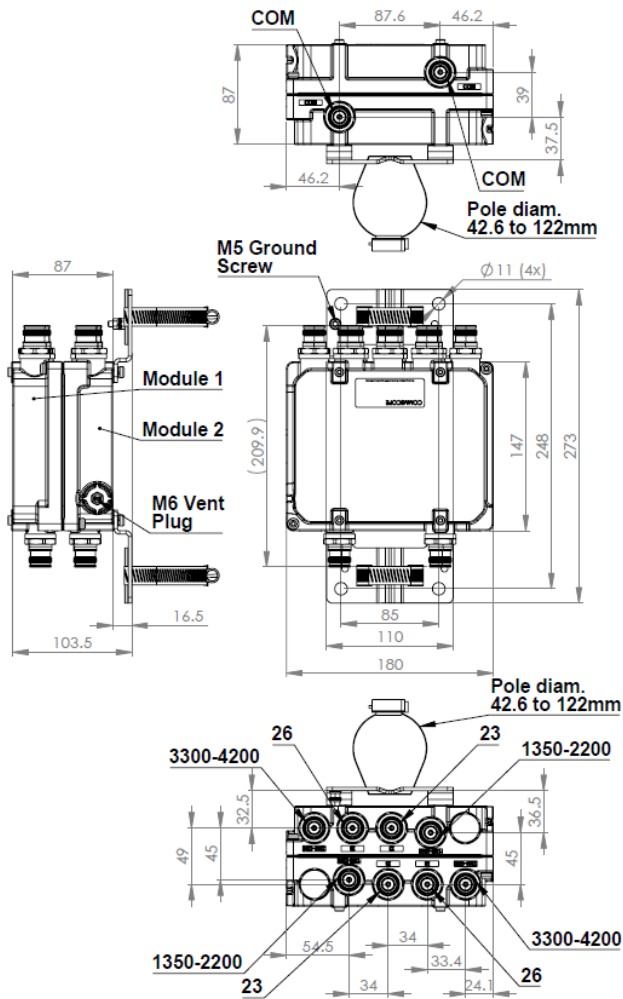
Width 180 mm | 7.087 in

Depth 157 mm | 6.181 in

Mounting Pipe Diameter Range 42.6–122 mm

Outline Drawing

E14F15P33



Electrical Specifications

Impedance 50 ohm

Electrical Specifications, dc Power/Alarm

Lightning Surge Current 5 kA

Lightning Surge Current Waveform 8/20 waveform

Electrical Specifications

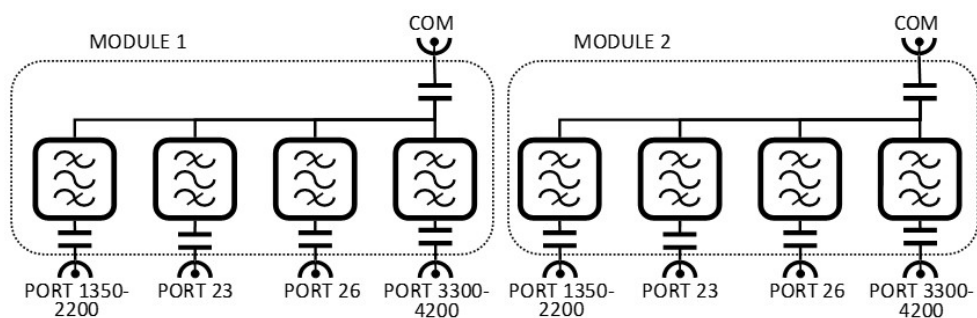
Sub-module	1 2	1 2	1 2	1 2
Branch	1	2	3	4
Port Designation	PORT 2 1350-2200	PORT 3 2300-2400	PORT 4 2496-2700	PORT 5 3300-4200

Electrical Specifications, Band Pass

E14F15P33

Frequency Range, MHz	1350–2200	2300–2400	2496–2700	3300–4200
Insertion Loss, typical, dB	0.2	0.3	0.3	0.2
Return Loss, typical, dB	20	20	20	20
Isolation, typical, dB	35	35	45	55
Input Power, RMS, maximum, W	125	125	125	125
Input Power, PEP, maximum, W	1250	1250	1250	1250
3rd Order PIM, typical, dBc	-163	-163	-163	-163
3rd Order PIM Test Method	Two +43 dBm carriers	Two +43 dBm carriers	Two +43 dBm carriers	Two +43 dBm carriers

Block Diagram



Mechanical Specifications

Wind Speed, maximum 240 km/h (149 mph)

Environmental Specifications

Operating Temperature -40 °C to +65 °C (-40 °F to +149 °F)

Corrosion Test Method IEC 60068-2-11, 30 days

Environmental Test Method ETSI EN 300 019-1-4

Ingress Protection Test Method IEC 60529:2001, IP67

Packaging and Weights

Included Mounting hardware

Volume 2.5 L

Weight, net 4.6 kg | 10.141 lb

Weight, without mounting hardware 4.2 kg | 9.259 lb