

# Installation Instructions

## MT/HR-KIT-HUMIDITY

Bulletin AE01B-A0601-001

Version 00 Status RE Rev A

Model Version 15 Status RE Rev B

*Andrew Institute offers installation training.*

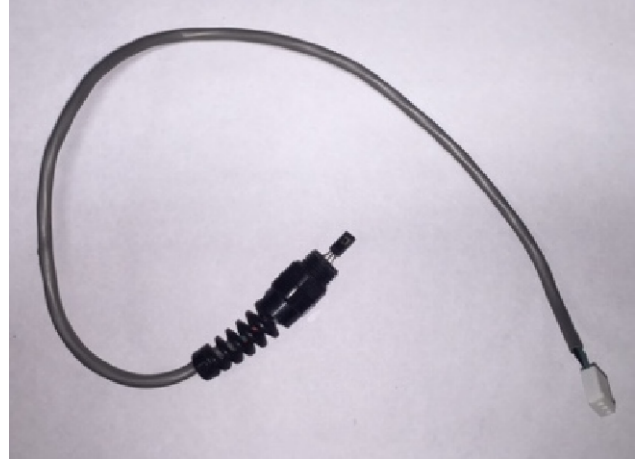
### Description

Humidity sensor kit, MT050C, MT500D, HR150, HR300

### Notice

The installation, maintenance or removal of dehydrator systems requires qualified, experienced personnel. Commscope installation instructions have been written for such personnel. Dehydrator systems should be inspected once a year by qualified personnel to verify proper installation, maintenance, and condition of equipment.

Commscope disclaims any liability or responsibility for the results of improper or unsafe installation practices.



**Table 1. Parts List**

Item	Description	Qty
1	Humidity Sensor Cable	1
2		
3		
4		
5		
6		



#### Main Hazards – Health Effects

**Eyes:** May cause irritation.

**Inhalation:** Viscous nature may block breathing passages if inhaled.

**Ingestion:** May cause diarrhoea.

**Skin:** For hypersensitive persons, may irritate the skin after long periods of contact.

**Respiratory Protection:** None needed.

**Hand Protection:** Protective gloves for hypersensitive persons.

**Eye Protection:** Glasses, if applied to parts in motion.

**Body Protection:** Overalls.

#### Andrew Solutions

##### Customer Service 24 hours

U.S.A., Canada, Mexico: 1-800-255-1479  
 or 1-888-235-5732  
 U.K.: 0800 250055  
 Other Europe: +44 592 782 612

[www.commscope.com/andrew](http://www.commscope.com/andrew)

Visit our Web site at [www.commscope.com/andrew](http://www.commscope.com/andrew) or contact your local Andrew Solutions representative for more information.  
 © 2008 Commscope, Inc. All rights reserved.

Andrew Solutions is a trademark of Commscope. All trademarks identified by ® or ™ are registered trademarks or trademarks, respectively, of Commscope. This document is for planning purposes only and is not intended to modify or supplement any specifications or warranties relating to Andrew Solutions products or services.

Notice: Andrew disclaims any liability or responsibility for the results of improper or unsafe installation, inspection, maintenance, or removal practices.

Aviso: Andrews no acepta ninguna obligacion ni responsabilidad como resultado de practicas incorrectas o peligrosas de instalacion, inspeccion, mantenimiento o retire.

Avis : Andrew decline toute responsabilite pour les consequences de procedures d'installation, d'inspection, d'entretien ou de retrait incorrectes ou dangereuses.

Hinweis: Andrew lehnt jede Haftung Oder Verantwortung fur Schaden ab, die aufgrund unsachgemaBer Installation, Uberprufung, Wartung Oder Demontage auftreten.

Atencao: A Andrew abdica do direito de toda responsabilidade pelos resultados de praticas inadequadas e sem segurancia de instalacao, inspecao, manutengao ou remocao.

Awertenza: Andrew declina eventual! responsabilita denvanti dell'esecuzione di procedure di installazione, ispezione, manutenzione e smontaggio improprie o poco sicure.

**注意：Andrew 公司申明對於不恰當或不安全的安裝、檢驗、維修或拆卸操作所導致的後果不負任何義務和責任**



# Installation Instructions

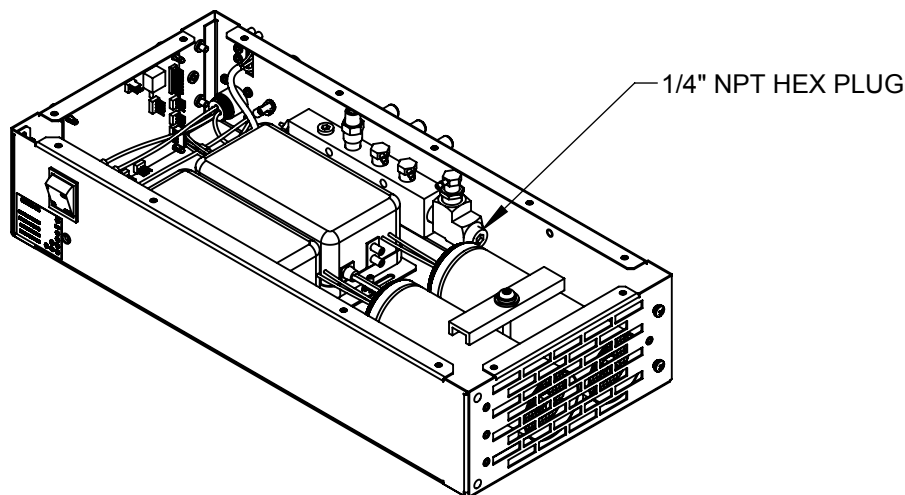
MT/HR-KIT-HUMIDITY

page 2 of 4

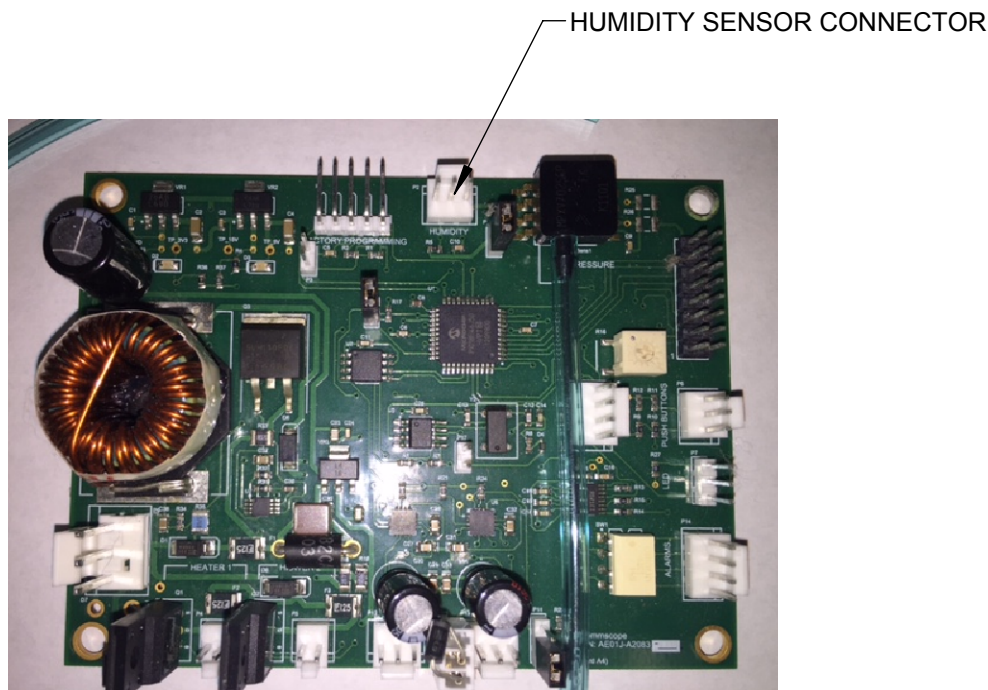
Version 00 StatusRE Rev A

Model Version 15 StatusRE Rev B

## HR150/HR300



1. Turn off power to the dehydrator and remove the power cord.
2. Remove the top cover of the HR150 or HR300 dehydrator. Both of these units have the same output manifold assembly. The installation of the humidity sensor is identical on both units.
3. Using a 1/4" Allen wrench, remove the indicated 1/4" NPT hex plug from the tee at the inlet of the manifold.
4. Replace the hex plug with the humidity sensor cable. The plastic fitting should be tightened until it is reasonably tight and the o-ring is compressed. A leak check may need to be performed in order to verify that there is no leak.
5. Connect the 3-pin connector at the end of the cable to the indicated humidity sensor connector on the control board.



# Installation Instructions

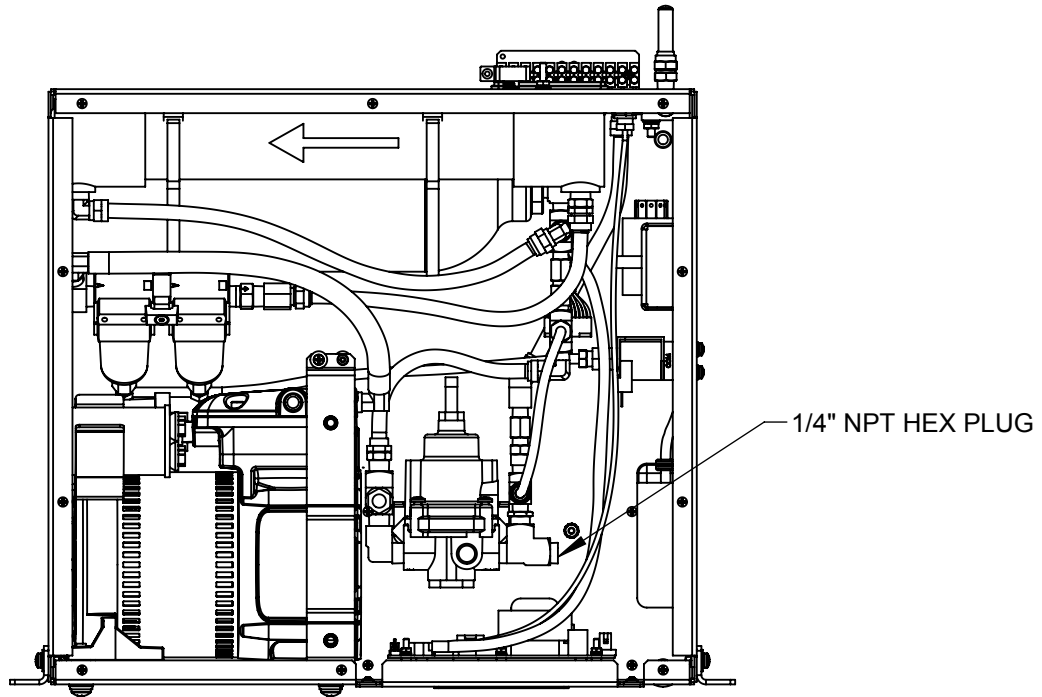
MT/HR-KIT-HUMIDITY

page 3 of 4

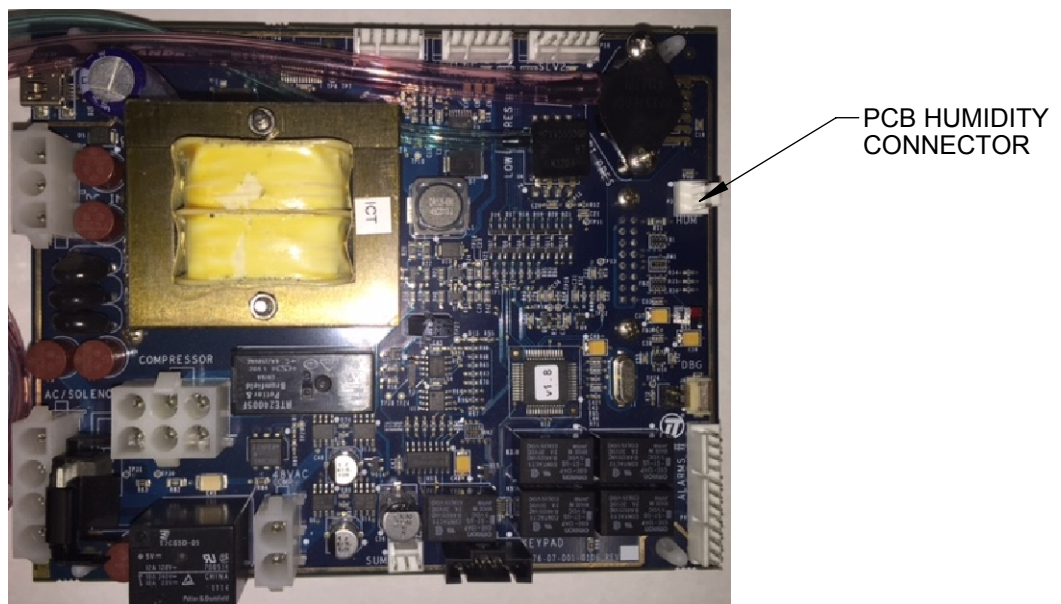
Version 00 StatusRE Rev A

Model Version 15 StatusRE Rev B

## MT050C



1. Turn off power to the dehydrator and remove the power cord.
2. Remove the main cover of the dehydrator.
3. Using a 1/4" Allen wrench, remove the indicated 1/4" NPT hex plug from the tee at the output of the pressure regulator.
4. Replace the hex plug with the humidity sensor cable. The plastic fitting should be tightened until it is reasonably tight and the o-ring is compressed. A leak check may need to be performed in order to verify that there is no leak.
5. Connect the 3-pin connector at the end of the cable to the indicated humidity sensor connector on the control board.



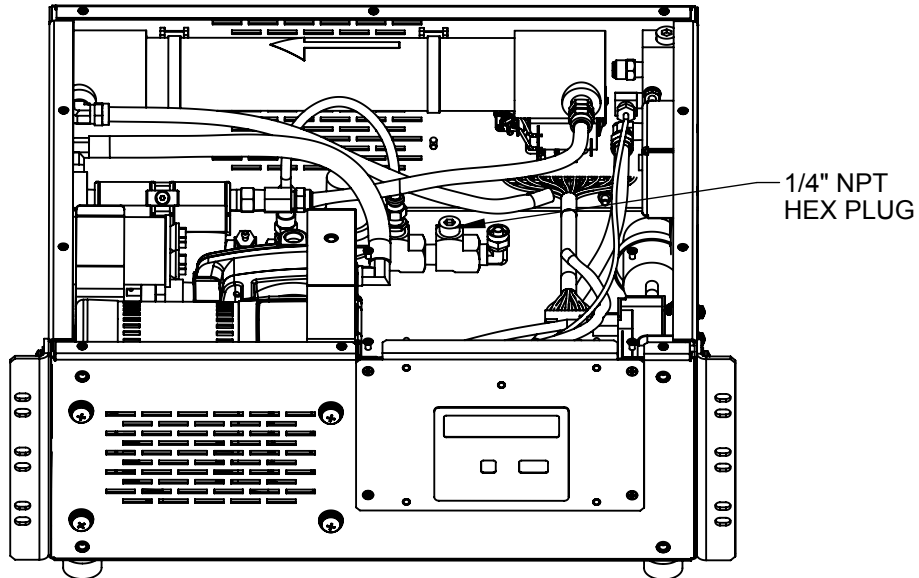
# Installation Instructions

MT/HR-KIT-HUMIDITY

page 4 of 4

Version 00 StatusRE Rev A

Model Version 15 StatusRE Rev B



1. Turn off power to the dehydrator and remove the power cord.
2. Remove the main cover of the dehydrator.
3. Using a 1/4" Allen wrench, remove the indicated 1/4" NPT hex plug from the tee at the output of the back pressure regulator.
4. Replace the hex plug with the humidity sensor cable. The plastic fitting should be tightened until it is reasonably tight and the o-ring is compressed. A leak check may need to be performed in order to verify that there is no leak.
5. Connect the 3-pin connector at the end of the cable to the indicated humidity sensor connector on the control board.

