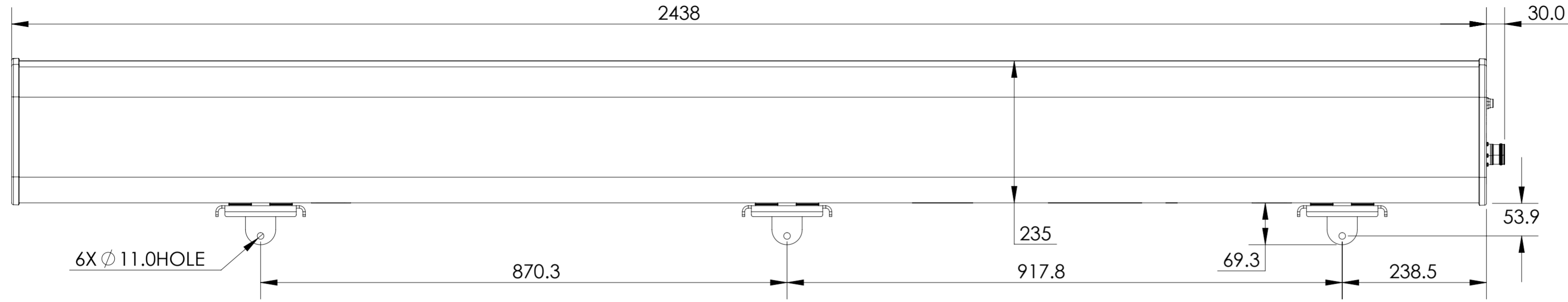
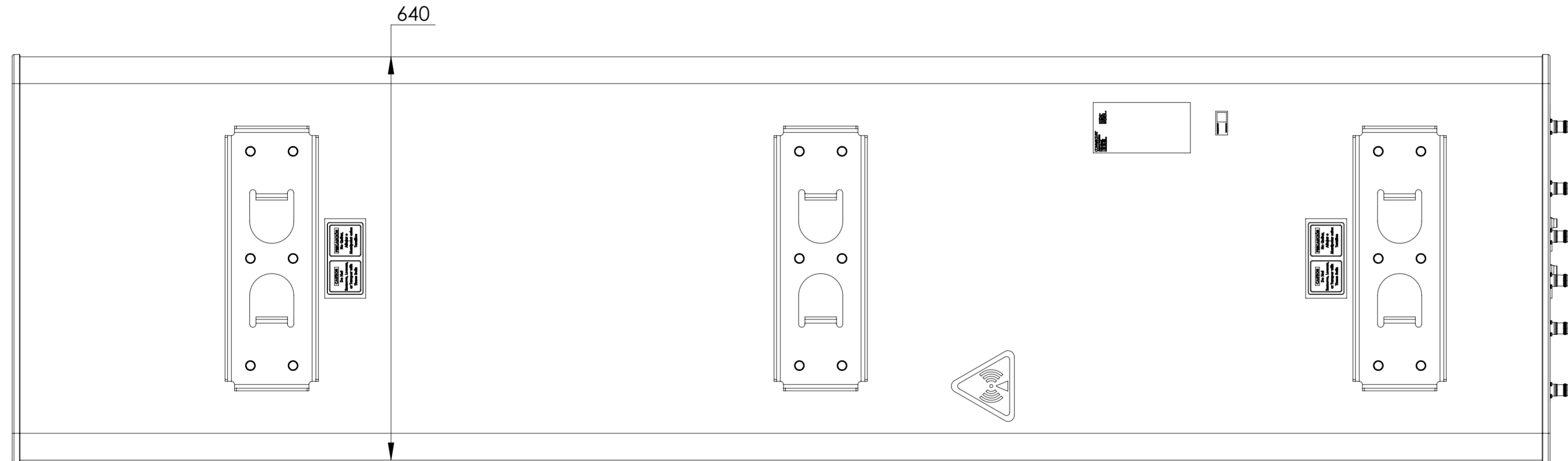
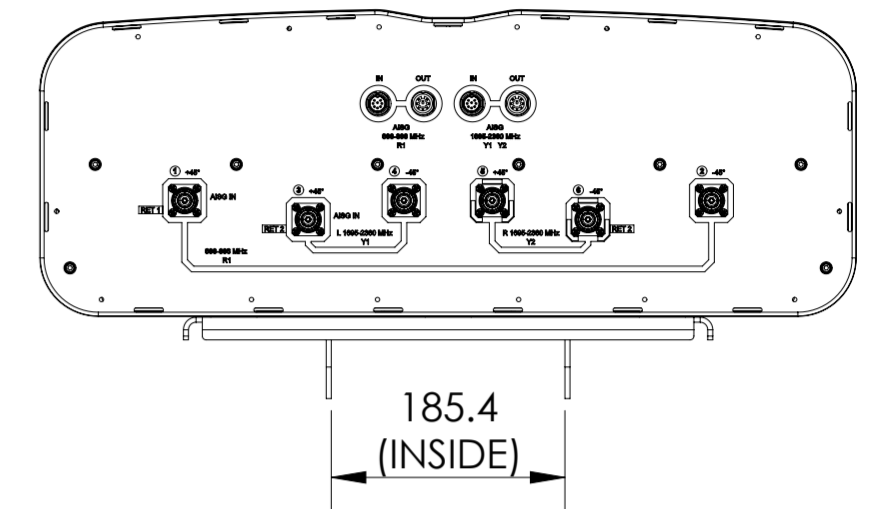


NOTES:

REVISIONS			
REV.	DESCRIPTION	DATE	APPROVED
A	ECR 8000036578: RELEASE TO PRODUCTION PER EAO 606962.	06AUG19 SP	RT/SB



6X Ø 11.0 HOLE



NHH-33C-R2B

COMMSCOPE, INC. OF NORTH CAROLINA

TOLERANCES		SAP MATERIAL MASTER	
0 PLACE	X ±	2 PLACE	.XX ±
1 PLACE	.X ±	ANGLES	±
FINISH		MATERIAL	
<small>UNLESS OTHERWISE SPECIFIED DIMENSIONS ARE IN MILLIMETERS INTERPRET PER ISO STANDARDS HANDBOOK TECHNICAL DRAWINGS VOLUMES 1 & 2, THIRD EDITION (2002)</small>		NAME	DATE
		CE	PS1111 06AUG19
		RW	PS1111 08/23/2019
		RV	RT1047 08/23/2019
		AD	SB1121 08/26/2019
RE	AC1095 08/26/2019	TITLE	
ECN 8000036578-O		PRODUCT DRAWING	
SCALE		DOCUMENT NO.	
1:6		NHH-33C-R2B-L	
SIZE	WORK AREA	23	MODEL
A2			VERSION
LENGTH		00	STATUS
WIDTH		RE	REVISION
		A	VERSION
		00	STATUS
		RE	REVISION
		A	REVISION
			SHEET
			1 OF 1