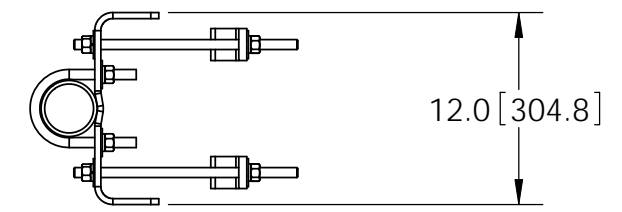
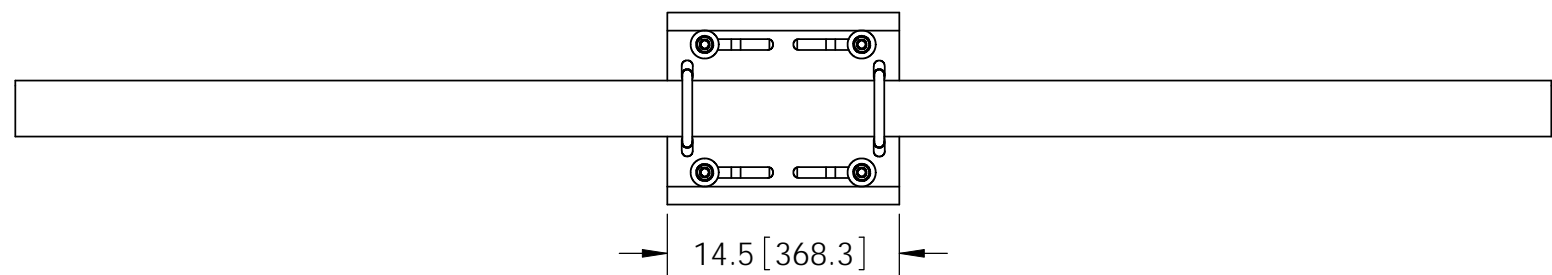
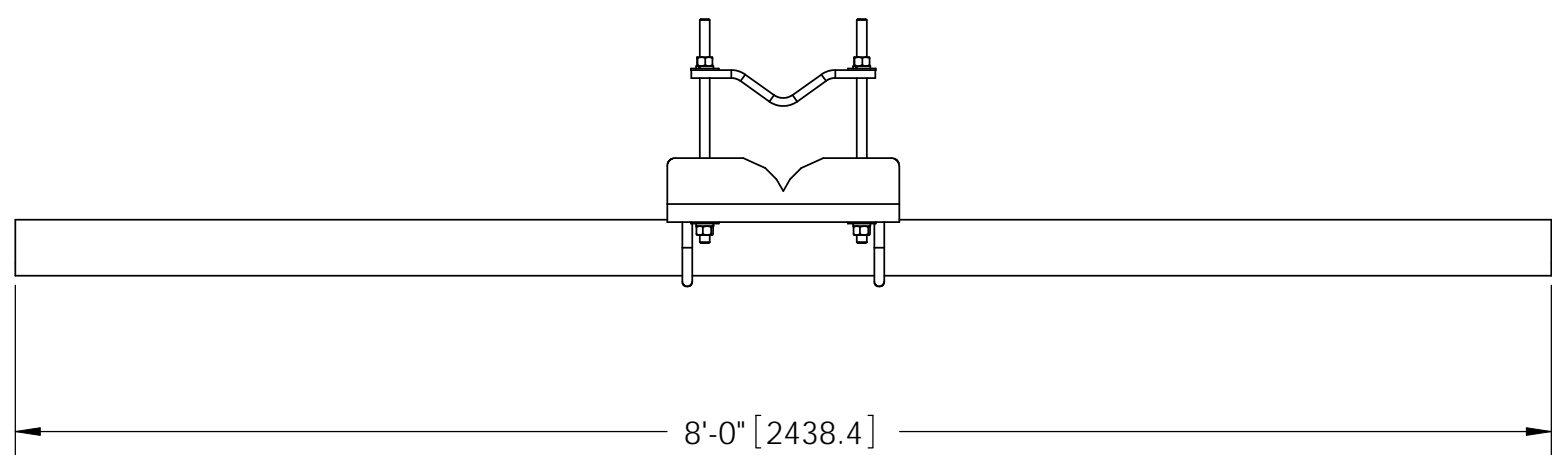
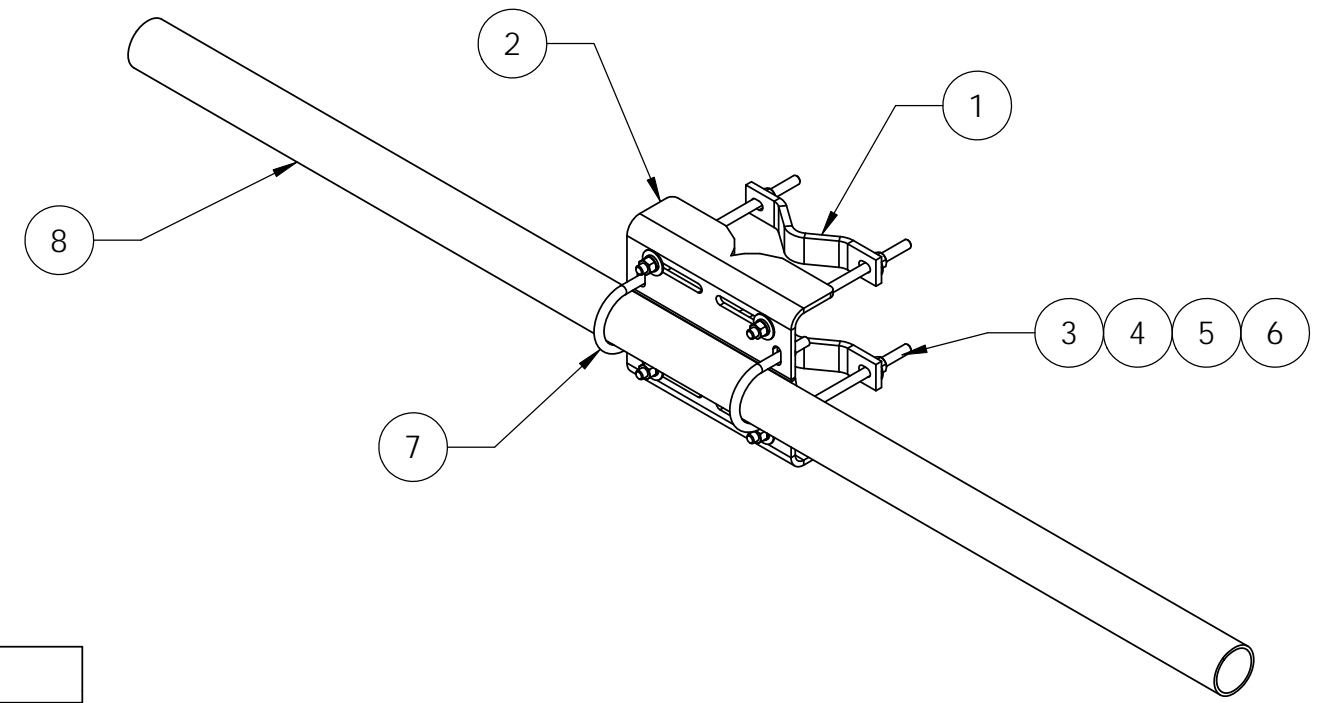



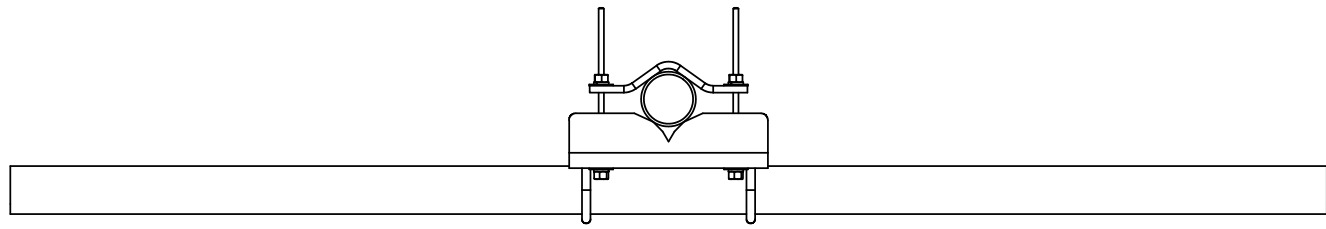
ITEM	PART NO.	DESCRIPTION	QTY.	WEIGHT
1	MCP10	2-1/2" O.D. TO 9" O.D. CLAMP HALF	2	3.36 LBS
2	MDSS01	Microwave Dish Strut Support Channel	1	25.81 LBS
3	MT-382-14	5/8" X 14" GALV THREADED ROD	4	1.21 LBS
4	GWF-05	5/8" GALV FLAT WASHER	8	0.03 LBS
5	GWL-05	5/8" GALV LOCK WASHER	8	0.00 LBS
6	GN-05	5/8" GALV HEX NUT	8	0.04 LBS
7	GUB-53560	5/8" X 3-5/8" X 6" GALV U-BOLT	2	1.30 LBS
8	MT54796	Ø 3.5" O.D. X 96" PIPE	1	21.80 LBS

REVISIONS				
REV.	ZONE	DESCRIPTION	BY	DATE
A		INITIAL RELEASE	MSM	05/04/10
B		ADDED MOUNTING DETAILS PAGE	DRR	10/10/11
C		THREADED ROD WAS MT-381	MSM	09/13/12

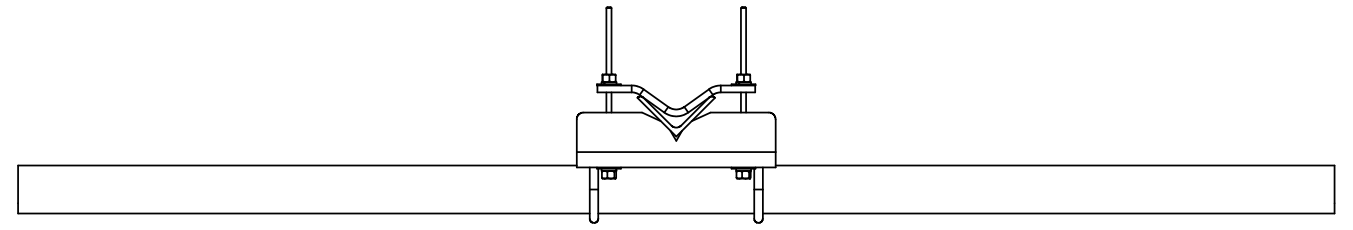


NOTES:
 1. ALL METRIC DIMENSIONS ARE IN BRACKETS.
 2. FITS 2" TO 6" 90° ANGLE, 1.5" TO 8" 60° ANGLE, AND Ø 1.5" TO Ø 8" ROUND MEMBERS.

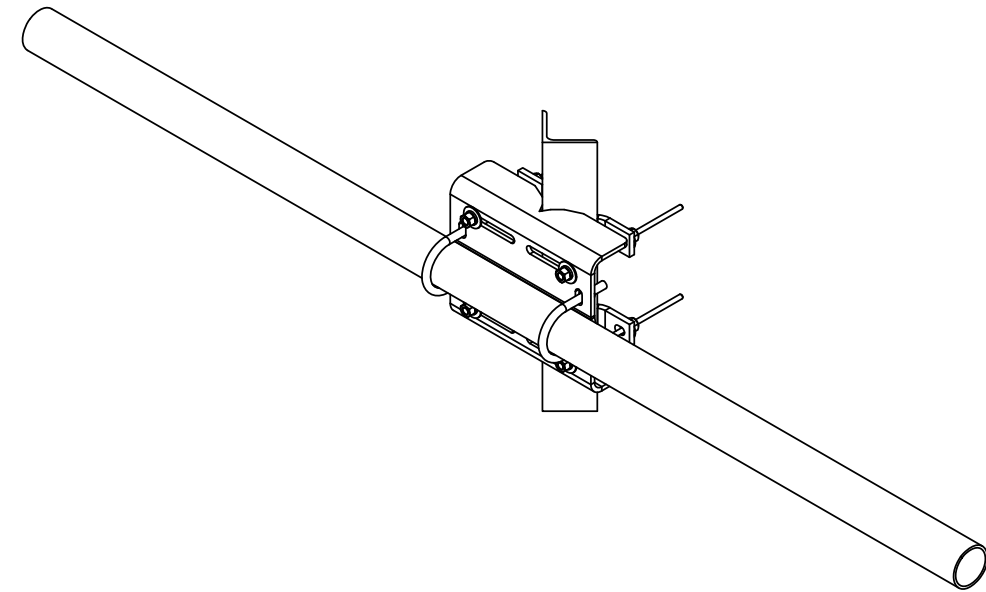
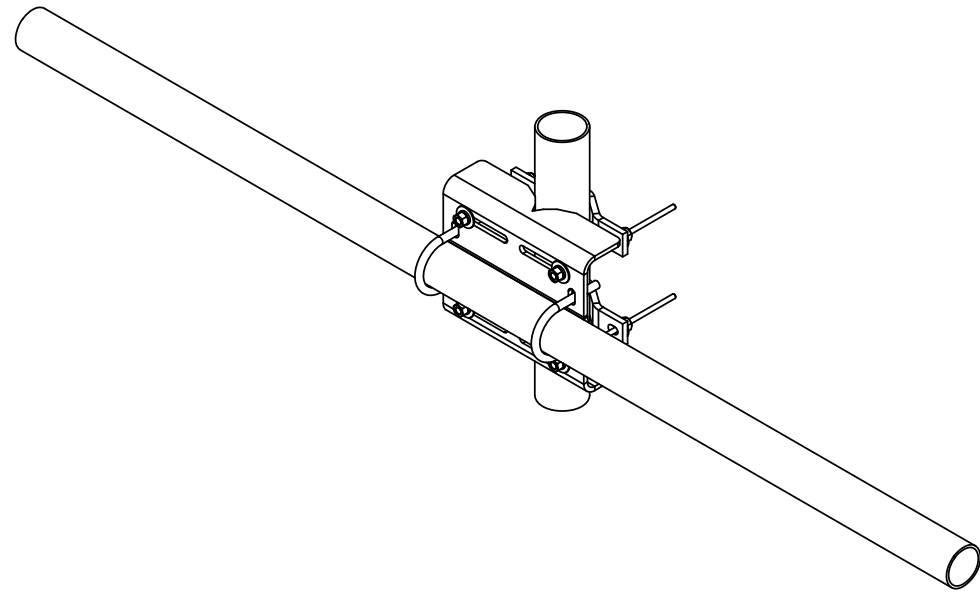
<small>These drawings and specifications are the proprietary property of ANDREW CORPORATION and may be used only for the specific purpose authorized in writing by Andrew Corporation.</small> <small>ALL DIMENSIONS ARE IN INCHES U.O.S. TOLERANCES UNLESS OTHERWISE SPECIFIED:</small> <small>.X = ± .12 ANGLES ±2°</small> <small>.XX = ± .06 FRACTIONS ±1/32</small> <small>.XXX = ± .03</small> <small>REMOVE BURRS AND BREAK EDGES .005</small> DO NOT SCALE THIS PRINT	<small>DRAWN BY:</small> MSM	<small>SHEET:</small> 1 of 2	<small>PART NUMBER:</small> MD-SS-8R
	<small>CHECKED BY:</small> TP	<small>SCALE:</small> NTS	<small>DESCRIPTION:</small> Microwave Dish Strut Support 8' Pipe
	<small>DATE:</small> 05/04/10	<small>MATERIAL:</small> A36, A53	<small>DRAWING TYPE:</small> ASSEMBLY DRAWING
	<small>REVISION:</small> C	<small>FINISH:</small> GALV A123	
	<small>WEIGHT:</small> 102.22 LBS	<small>WESTCHESTER, IL. 60154 U.S.A.</small>	



ROUND MEMBER MOUNTING



ANGLE MEMBER MOUNTING



<p>These drawings and specifications are the proprietary property of ANDREW CORPORATION and may be used only for the specific purpose authorized in writing by Andrew Corporation.</p> <p>ALL DIMENSIONS ARE IN INCHES U.O.S. TOLERANCES UNLESS OTHERWISE SPECIFIED:</p> <p>.X = ± .12 ANGLES ±2° .XX = ± .06 FRACTIONS ±1/32 .XXX = ± .03</p> <p>REMOVE BURRS AND BREAK EDGES .005</p> <p>DO NOT SCALE THIS PRINT</p>	<p>DRAWN BY: MSM</p>	<p>SHEET: 2 of 2</p>	<p>PART NUMBER: MD-SS-8R</p>
	<p>CHECKED BY: TP</p>	<p>SCALE: NTS</p>	<p>DESCRIPTION: Microwave Dish Strut Support 8' Pipe</p>
	<p>DATE: 05/04/10</p>	<p>MATERIAL: A36, A53</p>	<p>DRAWING TYPE: ASSEMBLY DRAWING</p>
	<p>REVISION: C</p>	<p>FINISH: GALV A123</p>	<p>WEIGHT: 102.22 LBS</p>

