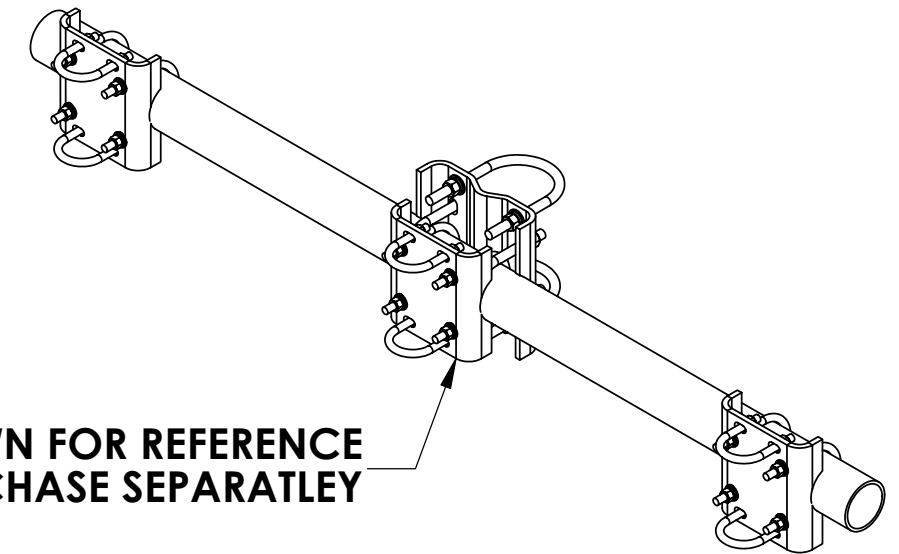
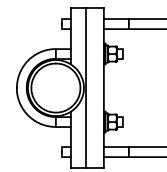
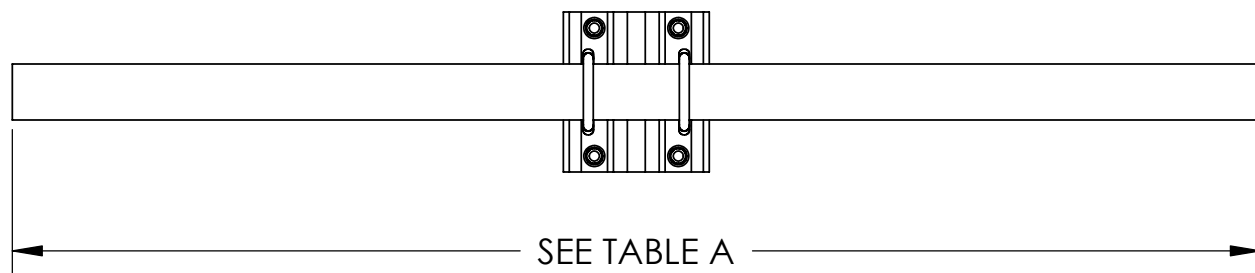
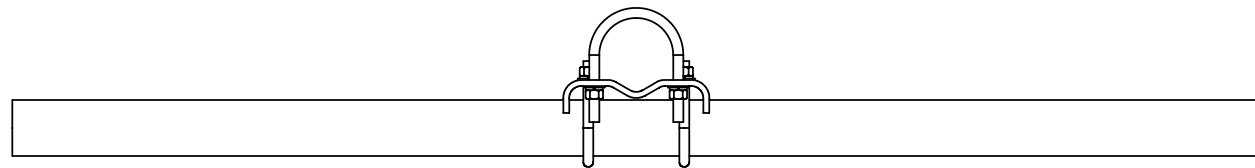
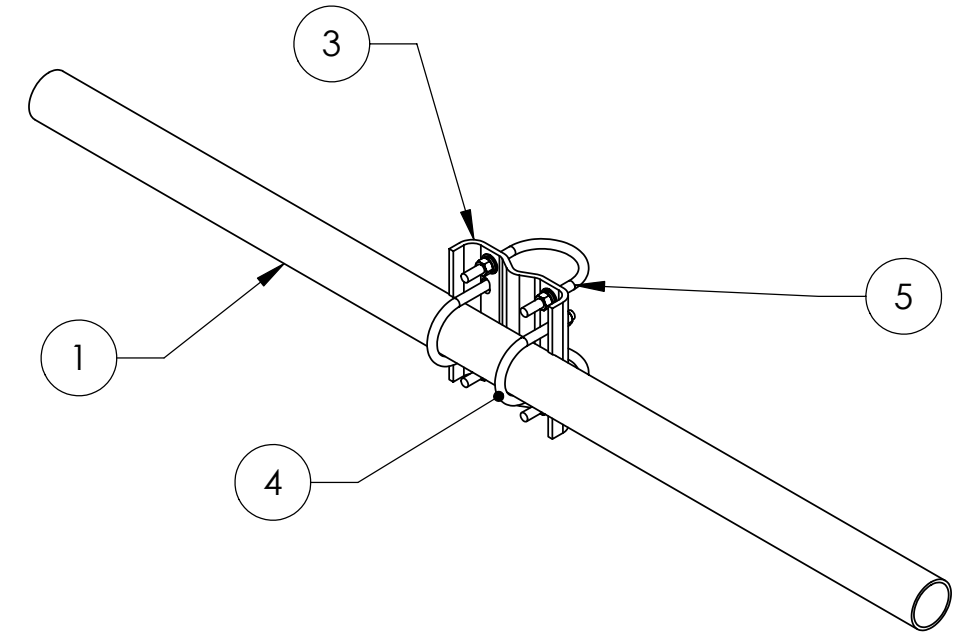



ITEM	PART NO.	DESCRIPTION	QTY.	WEIGHT
1	MT-XXX	3-1/2" O.D. PIPE (SEE TABLE)	1	-
2	MT216NSH	HARDWARE KIT (ITEMS 3-5)	1	-
3	MT216.13	13" CENTER BRACKET	1	11.80 LBS
4	GUB-53560	5/8" X 3-5/8" X 6 GALV U-BOLT	2	1.31 LBS
5	GUB-5456	5/8" X 4-5/8" X 6-1/2" GALV U-BOLT	2	1.62 LBS

REVISIONS				
REV.	ZONE	DESCRIPTION	BY	DATE
A		INITIAL RELEASE	LAP	07/24/01
B		ADDED 2 CONFIGURATIONS TO SERIES	ACG	06/22/05
C		NEW DESIGN	AW	12/02/05
D		REDESIGN ITEM #3	MSM	6/6/08

TABLE A					
PART NUMBER	DESCRIPTION	ITEM NUMBER	MT-XXX PIPE	PIPE LENGTH	TOTAL WEIGHT
MT-216-6NS	CELLULAR PIPE FRAME, 6' 6" WIDE	1	MT54778	6' 6"	75.88 LBS
MT-216-10NS	CELLULAR PIPE FRAME, 10' 6" WIDE	1	MT-547-126	10' 6"	106.18 LBS
MT-216-NS	CELLULAR PIPE FRAME, 12' 6" WIDE	1	MT216.01	12' 6"	121.33 LBS
MT-216-14NS	CELLULAR PIPE FRAME, 14' 6" WIDE	1	MT-547-174	14' 6"	136.48 LBS



**MT-219 SHOWN FOR REFERENCE
ONLY PURCHASE SEPARATLEY**

<small>These drawings and specifications are the proprietary property of ANDREW CORPORATION and may be used only for the specific purpose authorized in writing by Andrew Corporation.</small> <small>ALL DIMENSIONS ARE IN INCHES U.O.S. TOLERANCES UNLESS OTHERWISE SPECIFIED:</small> .X = ± .12 ANGLES ± 2° .XX = ± .06 FRACTIONS ± 1/32 .XXX = ± .03 <small>REMOVE BURRS AND BREAK EDGES .005</small> DO NOT SCALE THIS PRINT	<small>DRAWN BY:</small> AW	<small>SHEET:</small> 1 of 1	<small>PART NUMBER:</small> MT-216-NS SERIES
	<small>CHECKED BY:</small> TP	<small>SCALE:</small> NTS	<small>DESCRIPTION:</small> CELLULAR PIPE FRAME
	<small>DATE:</small> 12/06/05	<small>MATERIAL:</small> A36, A53	<small>DRAWING TYPE:</small> ASSEMBLY DRAWING
	<small>REVISION:</small> D	<small>FINISH:</small> GALV A123 <small>WEIGHT:</small> SEE TABLE	 ORLAND PARK, IL. 60462 U.S.A.