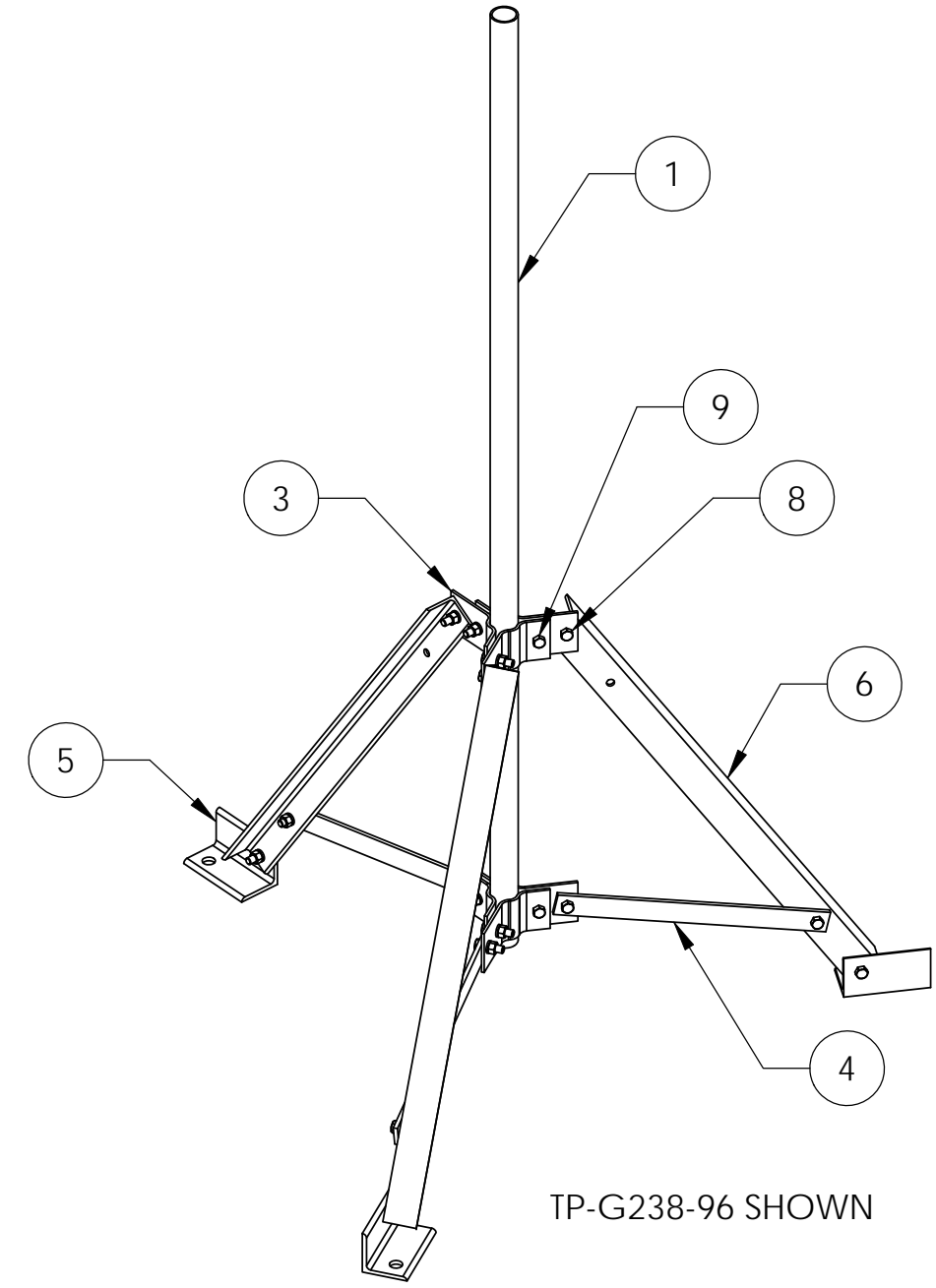
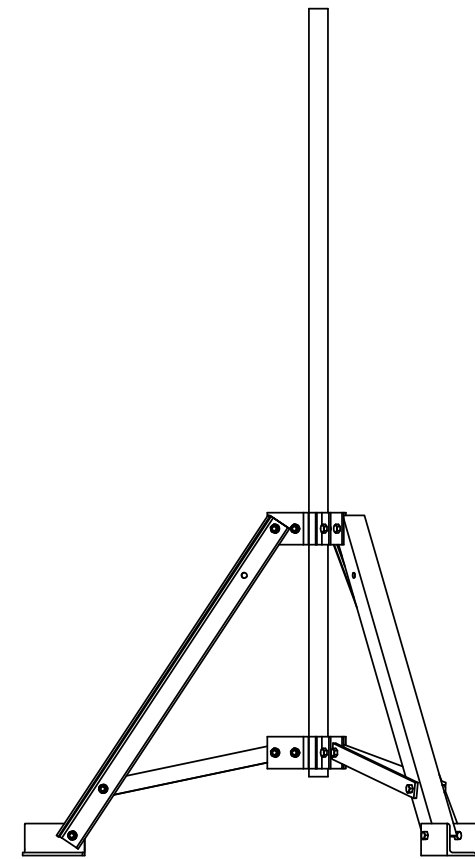
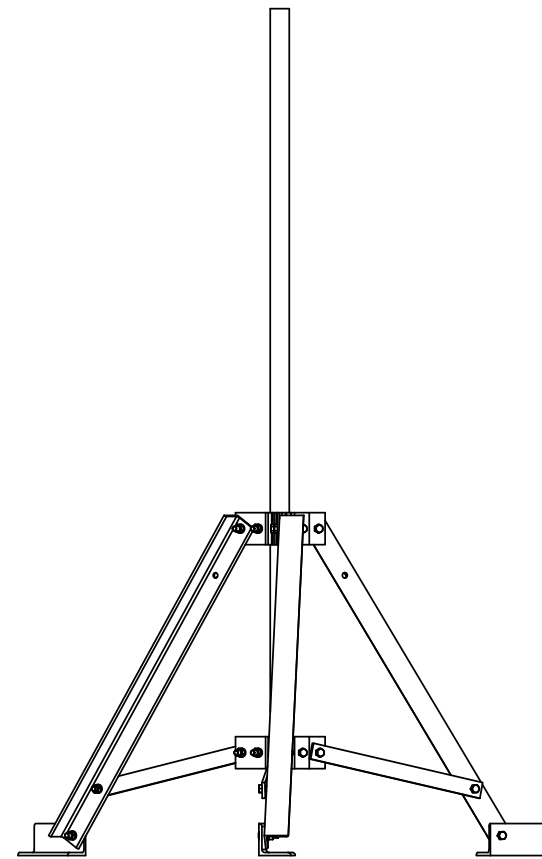
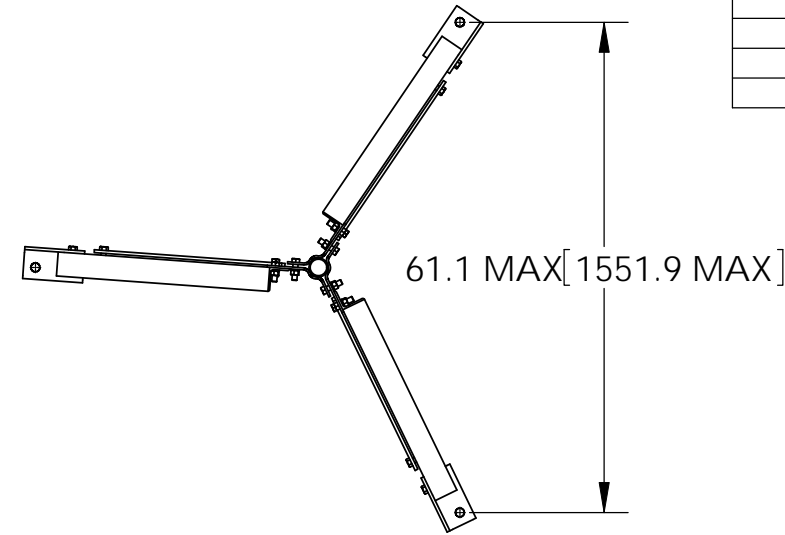


ITEM	PART NO.	DESCRIPTION	QUANTITY				WEIGHT
			TP-G238-B	TP-G238-72	TP-G238-96	TP-G238-126	
1	MT-651	2.375" OD x 72" PIPE	-	1	-	-	21.80 LBS
1	MT-651-96	Ø2.375" OD X 96" PIPE	-	-	1	-	29.07 LBS
1	MT-537	Ø2.375" OD x 126" PIPE	-	-	-	1	38.49 LBS
2	TPG238BHK	HARDWARE KIT (ITEMS 4-7)	1	1	1	1	-
3	TPG238B.02	2-3/8" TRIPOD CLAMP	6	6	6	6	2.64 LBS
4	TPG412B.04	TRIPOD BRACE	3	3	3	3	4.99 LBS
5	TPG412B.07	TRIPOD FOOT	3	3	3	3	5.84 LBS
6	TPG412B.03	TRIPOD LEG ANGLE	3	3	3	3	19.26 LBS
7	TPG238BH	HARDWARE KIT (ITEMS 8-9)	1	1	1	1	-
8	GB-05205	5/8" X 2" GALV BOLT KIT	12	12	12	12	0.27 LBS
9	GB-05225	5/8" X 2-1/4" GALV BOLT KIT	6	6	6	6	0.29 LBS

REVISIONS				
REV.	ZONE	DESCRIPTION	BY	DATE
B		REDRAWN & REVISED	DMW	05/29/01
C		UPDATE PART LIST	ACG	02/24/04
D		VIEWS ADDED, REDRAWN IN SOLIDWORKS	ACG	08/09/06
E		UPDATE TRIPOD KICKER LEG & TRIPOD FOOT	ACG	10/17/07
F		UPDATED KICKER LEG	DRR	02/28/13



NOTES:
1. ALL METRIC DIMENSIONS ARE IN BRACKETS.

These drawings and specifications are the proprietary property of CommScope Inc. and may be used only for the specific purpose authorized in writing by CommScope Inc.

ALL DIMENSIONS ARE IN INCHES U.O.S.
TOLERANCES UNLESS OTHERWISE SPECIFIED:
.X = ± .06 ANGLES ±2°
.XX = ± .03 FRACTIONS ±1/32
.XXX = ± .010

REMOVE BURRS AND BREAK EDGES .005

DO NOT SCALE THIS PRINT

DRAWN BY: ACG	SHEET: 1 of 1
CHECKED BY: TP	SCALE: NTS
DATE: 08/09/06	MATERIAL: A36, A53
REVISION: F	FINISH: GALV A123
	WEIGHT: 142.02 LBS

PART NUMBER: TP-G238-Series
DESCRIPTION: Ø2-3/8" O.D. PIPE MOUNT TRIPOD BASE
DRAWING TYPE: ASSEMBLY DRAWING
COMMSCOPE® Hickory, NC 28602 U.S.A.