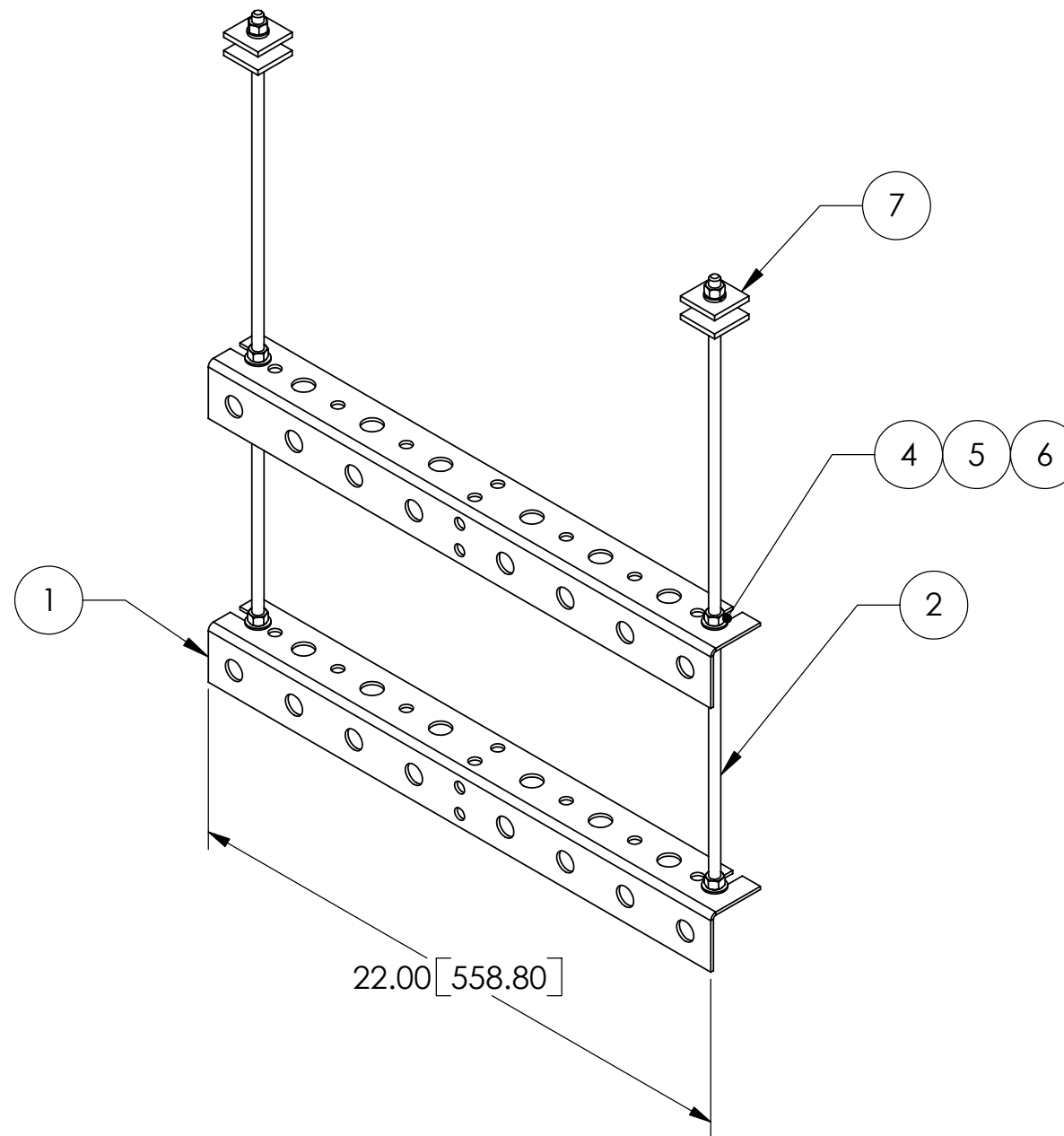



ITEM	PART NO.	DESCRIPTION	QTY.	WEIGHT
1	WBT243.02	HORIZONTAL TRAPEZE SECTION	2	2.81 LBS
2	MT-373-24	3/8" X 24" SS THREADED ROD	2	0.75 LBS
3	WBTKH	HARDWARE KIT (ITEMS 4-7)	1	
4	SWF-03	3/8" SS FLAT WASHER	8	0.01 LBS
5	SWL-03	3/8" SS LOCK WASHER	6	0.01 LBS
6	SN-03	3/8" SS HEX NUT	12	0.02 LBS
7	MT-387	SQUARE WASHER, 1 1/2" X 1 1/2" W/ 7/16" HOLE	4	0.11 LBS

REVISIONS				
REV.	ZONE	DESCRIPTION	BY	DATE
A		INITIAL RELEASE	ACG	02/09/05
B		UPDATE HARDWARE KIT	ACG	03/07/06



NOTES:
 1. ALL METRIC DIMENSIONS ARE IN BRACKETS.

<small>These drawings and specifications are the proprietary property of ANDREW CORPORATION and may be used only for the specific purpose authorized in writing by Andrew Corporation.</small> ALL DIMENSIONS ARE IN INCHES U.O.S. TOLERANCES UNLESS OTHERWISE SPECIFIED: .X = ± .06 ANGLES ±2° .XX = ± .03 FRACTIONS ±1/32 .XXX = ± .010 REMOVE BURRS AND BREAK EDGES .005 DO NOT SCALE THIS PRINT	DRAWN BY: ACG	SHEET: 1 of 1	PART NUMBER: WB-TD24
	CHECKED BY: TP	SCALE: NTS	DESCRIPTION: TRAPEZE KIT, 24" WIDE, 2 RUNG
	DATE: 02/09/05	MATERIAL: A36, 304SS	DRAWING TYPE: ASSEMBLY DRAWING
	REVISION: B	FINISH: GALV A123	 ORLAND PARK, IL. 60462 U.S.A.
	WEIGHT: 7.89 LBS		