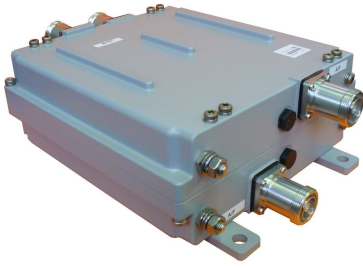


E15V80P03



PCS Twin In-Band Diplexer C3 Block, ADBE/C3 Bands

Product Classification

Product Type Diplexer

General Specifications

Application Indoor | Outdoor

Connector Interface 7-16 DIN Female

Connector Interface Style Long neck

Dimensions

Height 231 mm | 9.094 in

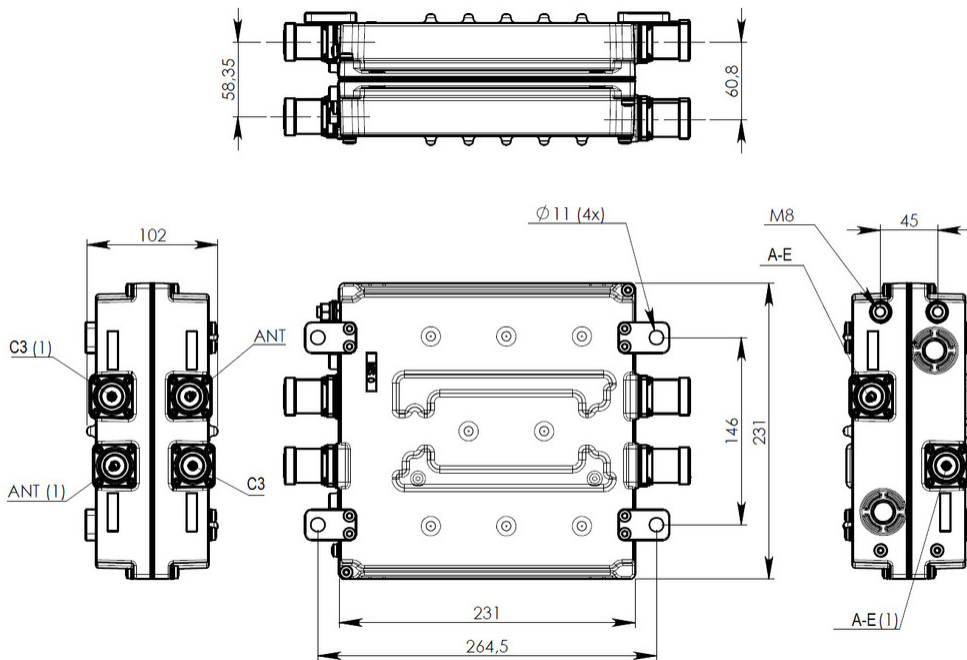
Width 231 mm | 9.094 in

Depth 102 mm | 4.016 in

Ground Screw Diameter 8 mm | 0.315 in

Outline Drawing

E15V80P03



Electrical Specifications

3rd Order IMD Test Method	Two +43 dBm carriers
3rd Order IMD, maximum	155 dBm
Lightning Surge Current	20 kA
Lightning Surge Current Waveform	8/20 waveform

Electrical Specifications, Rx (Uplink)

Frequency Band	1850 – 1890 MHz
Insertion Loss, maximum	0.5 dB
Return Loss, minimum	18 dB
Isolation, minimum	30 dB

Electrical Specifications 2, Rx (Uplink)

Frequency Band	1895 – 1900 MHz
Isolation, minimum	30 dB
Insertion Loss, maximum	0.6 dB
Return Loss, minimum	18 dB

Electrical Specifications, Tx (Downlink)

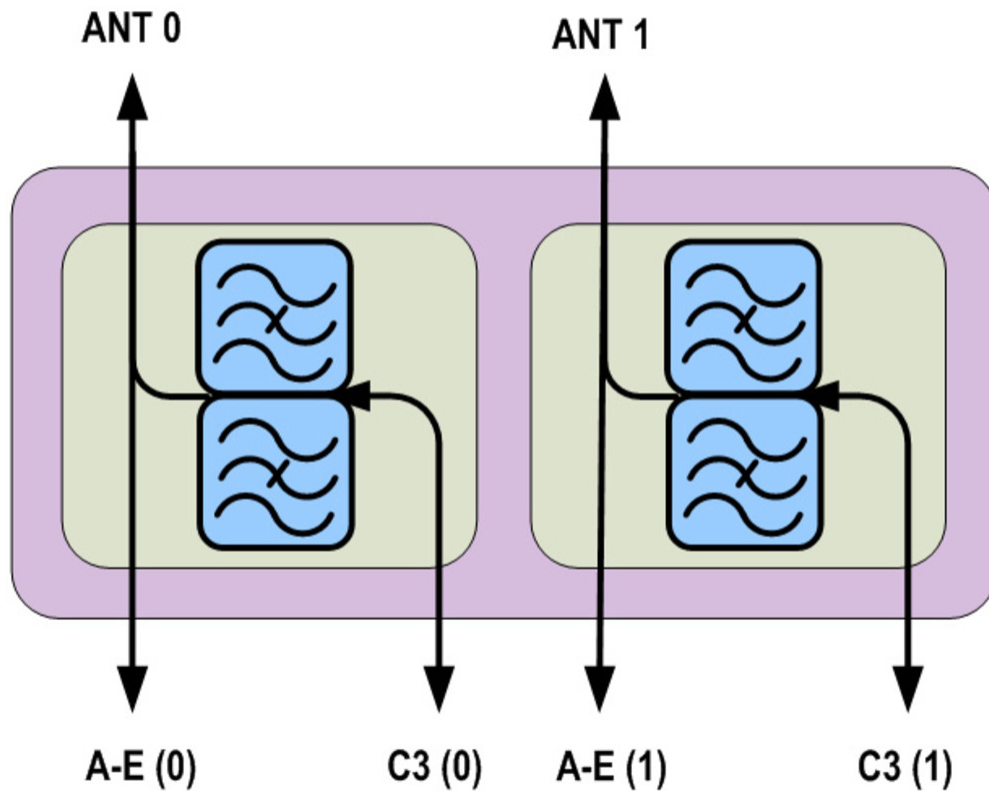
E15V80P03

Frequency Band	1930 – 1970 MHz
Isolation, minimum	30 dB
Input Power, PEP, maximum	3000 W
Input Power, RMS, maximum	100 W
Insertion Loss, typical	0.5 dB
Return Loss, minimum	18 dB

Electrical Specifications 2, Tx (Downlink)

Frequency Band	1975 – 1980 MHz
Input Power, PEP, maximum	3000 W
Insertion Loss, typical	0.6 dB
Isolation, minimum	30 dB
Return Loss, minimum	18 dB

Block Diagram



E15V80P03

Environmental Specifications

Operating Temperature	-40 °C to +60 °C (-40 °F to +140 °F)
Ingress Protection Test Method	IEC 60529:2001, IP67

Packaging and Weights

Included	Brackets
Weight, net	7.7 kg 16.976 lb