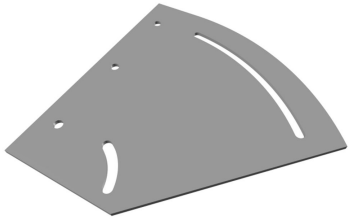


# MT-F1574

---



Adjustable Splice for Bridge Kit for eight coaxial cable runs

## Product Classification

**Product Type** Splice kit

## General Specifications

**Cable Runs, quantity** 8

**Mounting** Rooftop bridge kits

## Dimensions

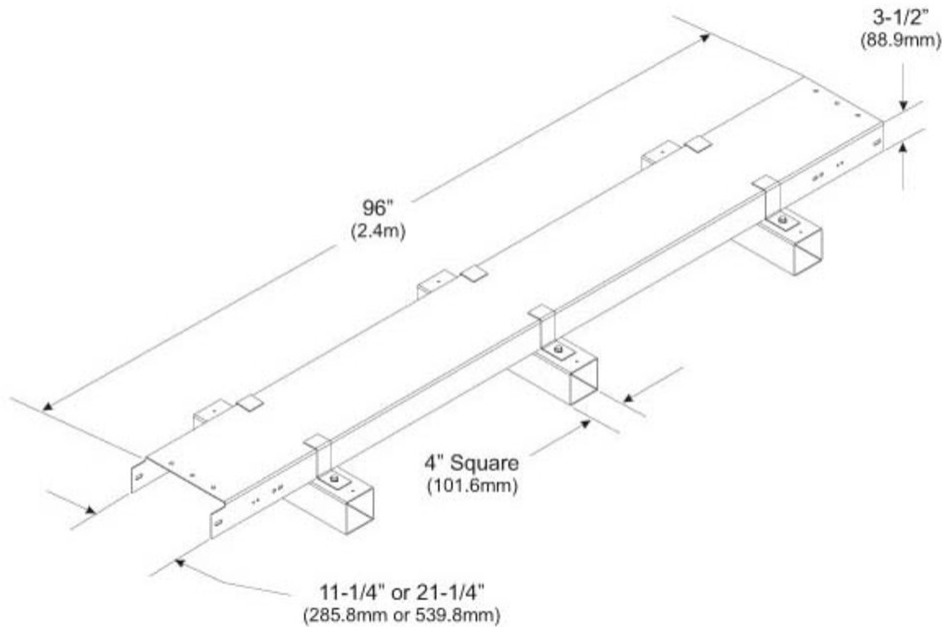
**Height** 25.4 mm | 1 in

**Width** 558.8 mm | 22 in

**Length** 558.8 mm | 22 in

# MT-F1574

## Outline Drawing



## Material Specifications

**Material Type** Galvanized steel

## Mechanical Specifications

**Wind Rating** For Specifications, please contact [steelproducts@commscope.com](mailto:steelproducts@commscope.com) or call 800-255-1479

## Packaging and Weights

**Included** Hardware | Splices

**Packaging quantity** 1

**Weight, net** 4.3 kg | 9.48 lb

## Regulatory Compliance/Certifications

**Agency**

ISO 9001:2015

**Classification**

Designed, manufactured and/or distributed under this quality management system

## \* Footnotes

# MT-F1574

---

**Wind Rating**

BWS—Base Wind Speed; FBC—Florida Building Code