

639829 Revision C, May 2016

Mounting Kits For Wide Panel Antennas

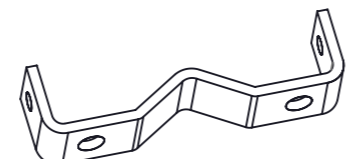
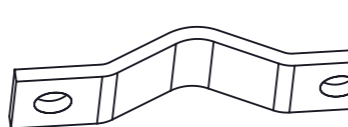

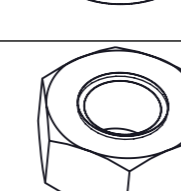
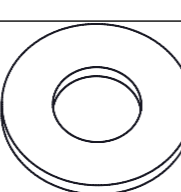
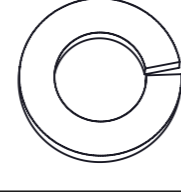
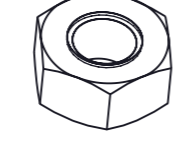
DB380-SINGLE

GENERAL INFORMATION

- DB380-SINGLE has 1 clamp assembly.
- Fits round members 2.4" to 4.5" (*60 to 115 mm) OD or angle members up to 2.5" (63.5 mm) on a side.

* Note: Minimum pipe diameter recommended is 60 mm (2.4"). These mounts can be used on pipe diameters measuring down to 33 mm (1.3"); this is only recommended for building mounts or applications with no significant side wind load.

PARTS LIST

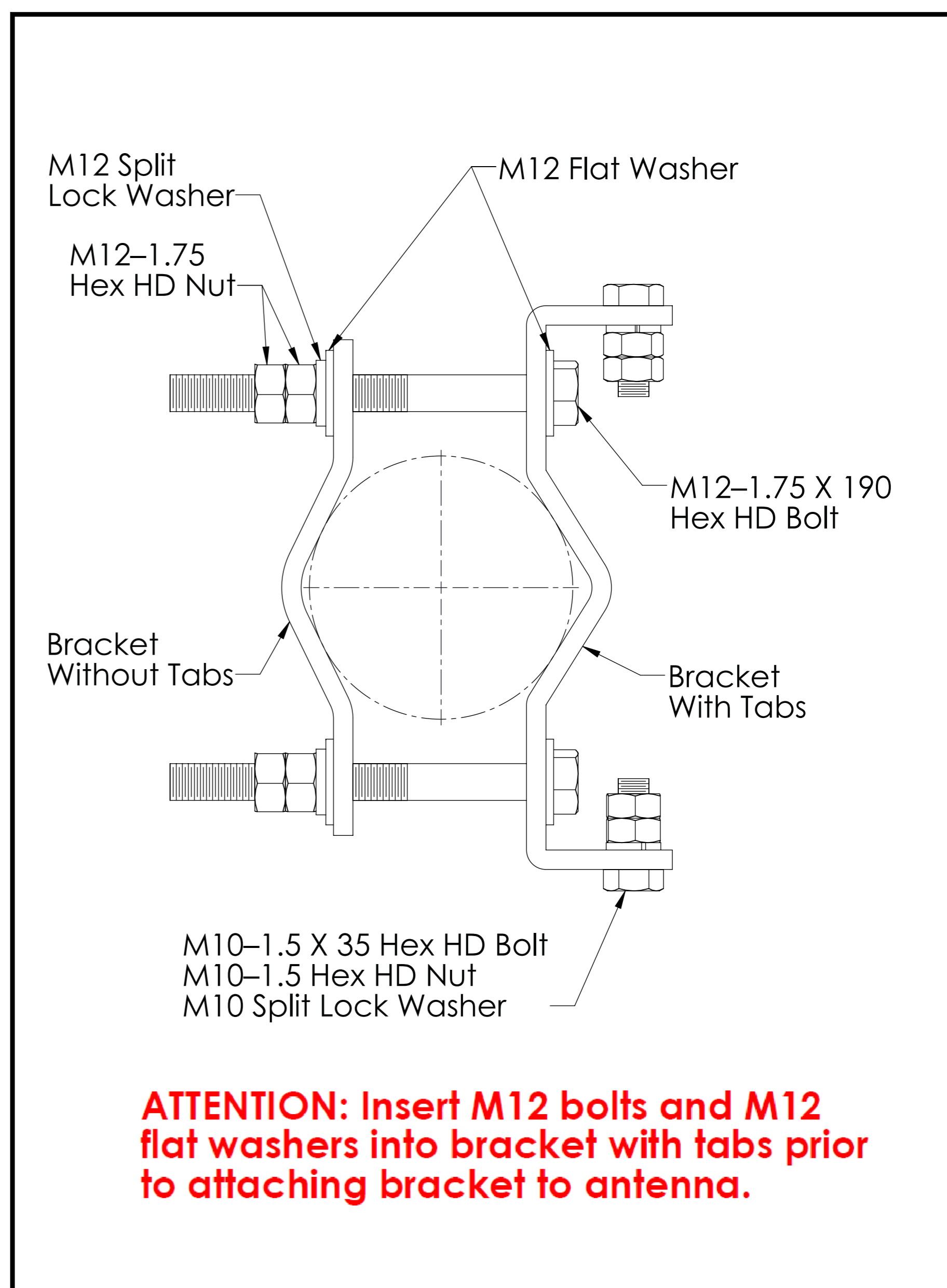
Item	Description	Qty	
1	Bracket With Tabs	1	
2	Bracket Without Tabs	1	
3	M10-1.5 X 35 Hex HD Bolt, HTSTL,GALV	2	
4	M10 Split Lock Washer, STL,GALV	2	
5	M10-1.5 Hex HD Nut, STL,GALV	4	
6	M12-1.75 X 190 Hex HD Bolt, STL,GALV	2	
7	M12 Flat Washer, STL,GALV	4	
8	M12 Split Lock Washer, STL,GALV	2	
9	M12-1.75 Hex HD Nut, STL,GALV	4	

DB380-SINGLE

MAXIMUM TORQUE VALUES	
M10	37 N.m (27ft lbs)
M12	58 N.m (43ft lbs)

PRE-INSTALLATION INSTRUCTIONS

- Examine antenna and hardware to ensure that all parts are enclosed and that there is no physical damage.
- Check to ensure that the antenna feed connector mates with the jumper cable.
- Verify that the frequency range shown on the label on the back of the antenna matches the frequency range of the station equipment.
- Position the antenna with its "up" arrow label pointing upward before installation. This orientation allows the drain holes to be on the bottom of the antenna.



DB380-SINGLE Mount Clamp.

SAFETY NOTICE

The installation, maintenance, or removal of an antenna requires qualified, experienced personnel. CommScope installation instructions are written for such installation personnel. Antenna systems should be inspected once a year by qualified personnel to verify proper installation, maintenance, and condition of equipment.

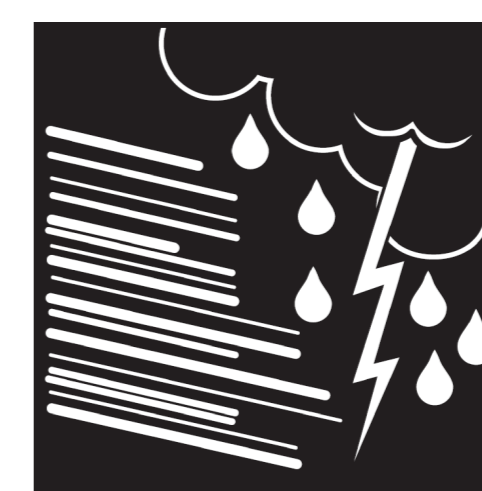
CommScope disclaims any liability or responsibility for the results of improper or unsafe installation practices.

It is recommended that transmit power be turned off when the field installation is performed. Follow all applicable safety precautions as shown on this page.

(continued on page 2)



Do not install near power lines. Power lines, telephone lines, and guy wires look the same. Assume any wire or line can electrocute you.

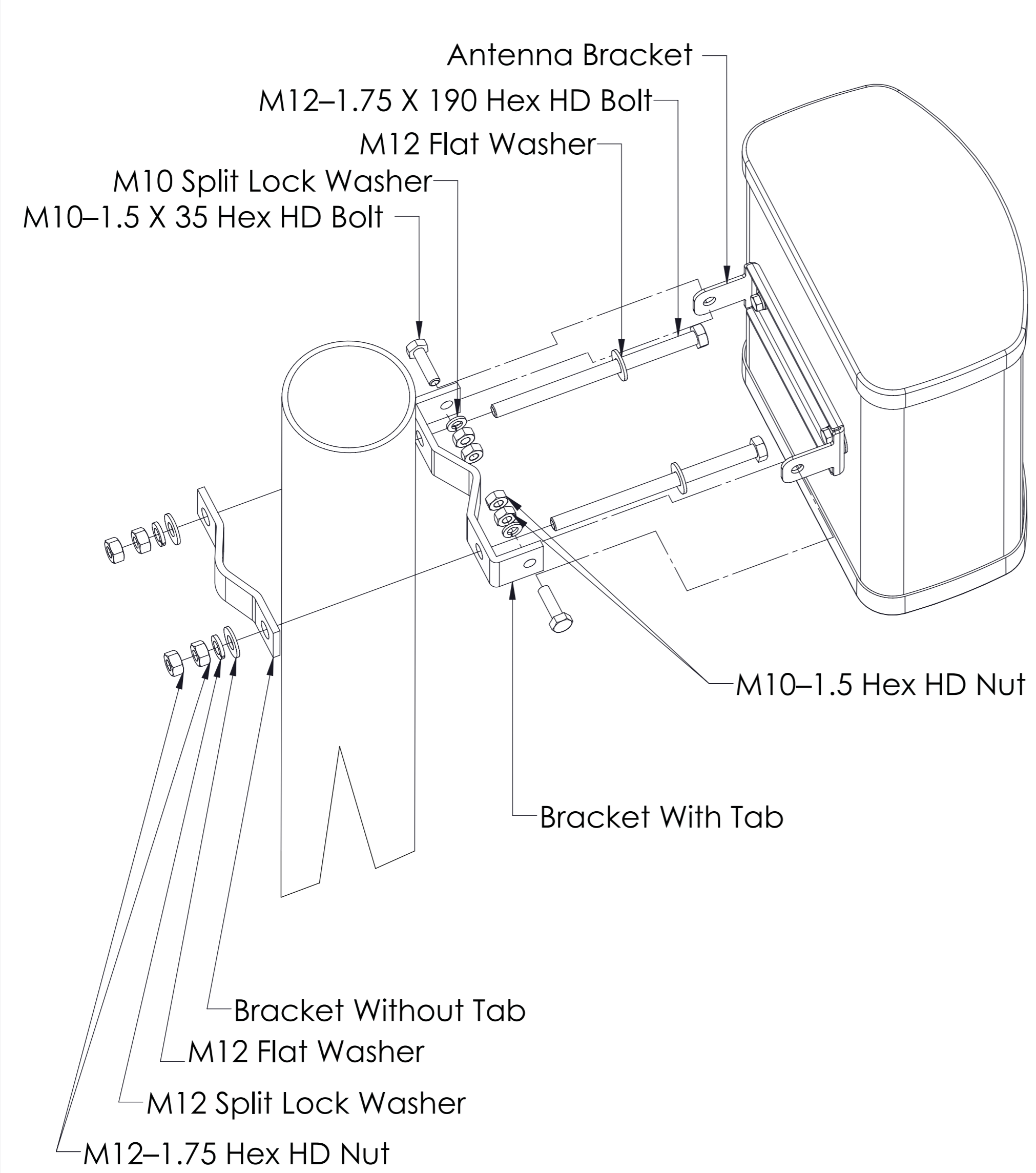


Do not install on a wet or windy day or when lightning or thunder is in the area. Do not use metal ladder.



Wear shoes with rubber soles and heels. Wear protective clothing including a long-sleeved shirt and rubber gloves.

(Continued from page 1)



Antenna Bracket
 M12-1.75 X 190 Hex HD Bolt
 M12 Flat Washer
 M10 Split Lock Washer
 M10-1.5 X 35 Hex HD Bolt
 M10-1.5 Hex HD Nut
 Bracket With Tab
 Bracket Without Tab
 M12 Flat Washer
 M12 Split Lock Washer
 M12-1.75 Hex HD Nut

ATTENTION: Insert M12 bolts and M12 flat washers into bracket with tabs prior to attaching bracket to antenna.

Use inclinometer to verify antenna is truly vertical.

Example For Standard Downtilt Mounting

1. Loosen bolts to adjust antenna angle until the desired downtilt angle is achieved.
2. Carefully tighten bolts after downtilt angle is set. Do not overtighten.

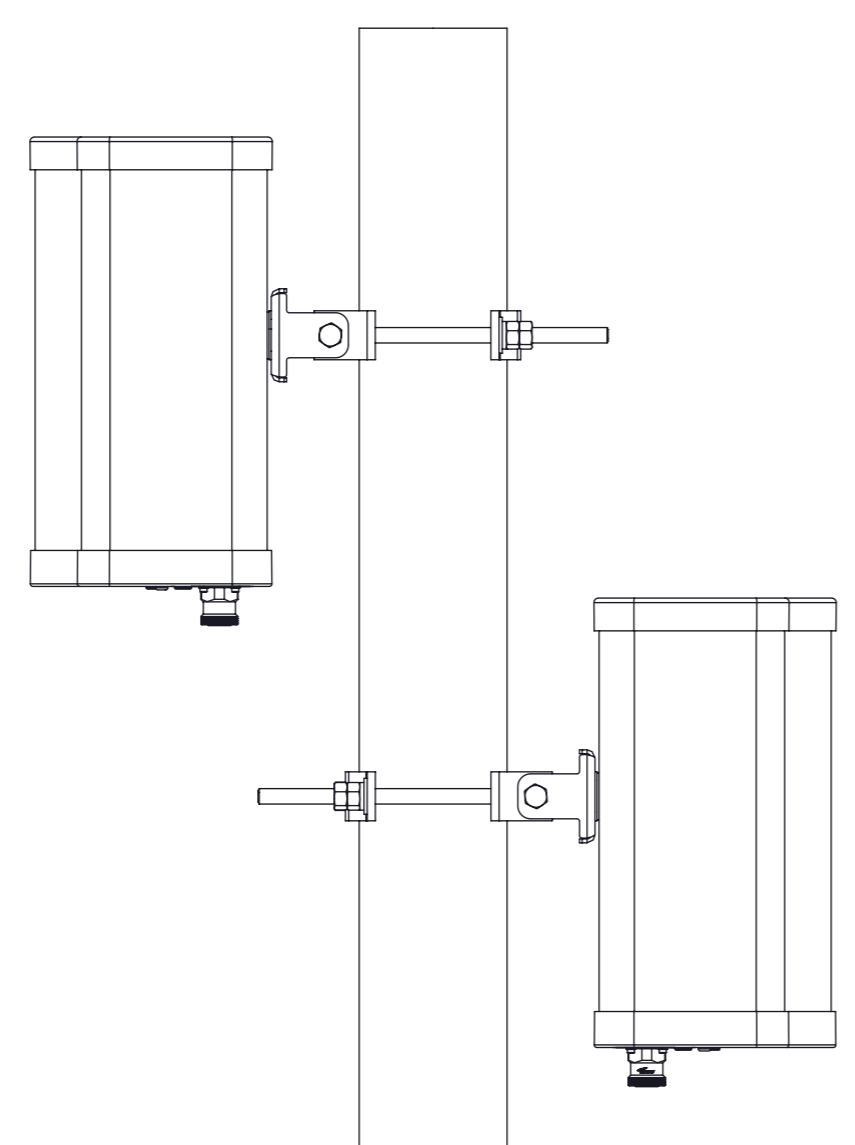
Adjusting the Downtilt Angle.

Attaching Antenna to a Mast Using DB380-SINGLE Mount.

Stagger the mounting brackets about 2" below one another to mount up to 3 antennas on a single mast.

Factors to consider with this mounting method:

- Isolation should be measured when high isolation is required
- Overall diameter of combined offset antennas around a mast.



Mounting Multiple Antennas Using DB380-SINGLE.

639829 修订版 C, 2016年5月

平板式宽天线安装架 DB380-SINGLE

一般信息

- DB380-SINGLE配备1套安装架。
- 适合安装外径为2.4英寸到4.5英寸（*60至115毫米）的圆形构件或规格达2.5英寸（63.5毫米）有棱角结构。

*注：推荐安装管柱的最小直径为 60mm（2.4 英寸）。这些安装件可在直径小至 33mm（1.3 英寸）的管柱上进行安装；但仅推荐在建筑上安装或在没有大的侧向风荷载的场合应用。

零件清单

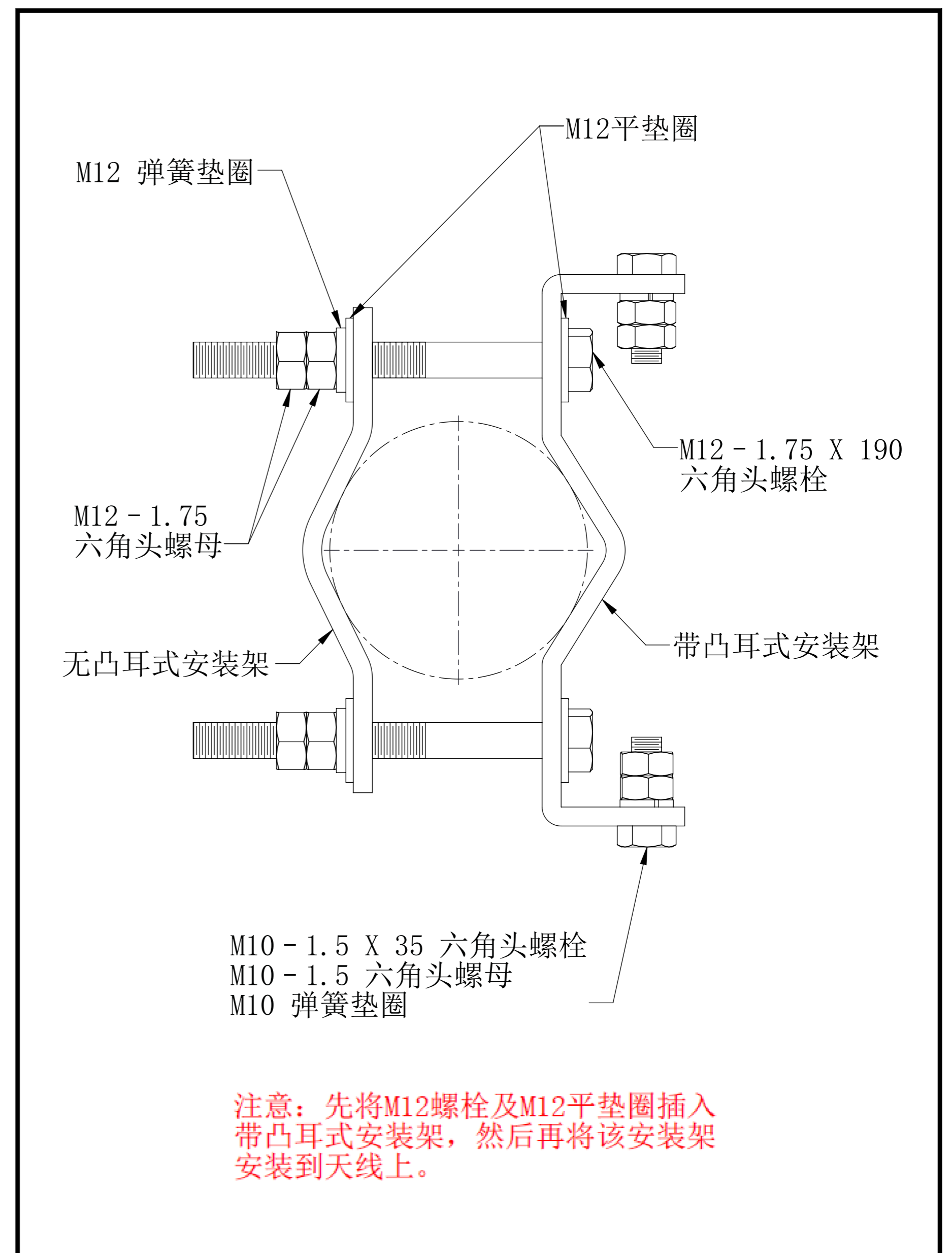
序号	描述	数量		
		DB380		
1	带凸耳式安装架	1		
2	无凸耳式安装架	1		
3	M10-1.5 X 35六角头螺栓, 高强度碳钢	2		
4	M10弹簧垫圈, 热镀锌碳钢	2		
5	M10-1.5六角头螺母, 热镀锌碳钢	4		
6	M12-1.75 X 190六角头螺栓, 热镀锌碳钢	2		
7	M12平垫圈, 热镀锌碳钢	4		
8	M12弹簧垫圈, 热镀锌碳钢	2		
9	M12-1.75六角头螺母, 热镀锌碳钢	4		

DB380-SINGLE

可用的最大扭力	
M10	37 牛.米 (27 英尺/磅)
M12	58 牛.米 (43 英尺/磅)

安装前说明

- 检查天线和硬件，确保所有零件齐备且没有物理损坏。
- 确保天线馈电接头与跳接电缆匹配。
- 检查天线背部标签上显示的频率范围是否与基站设备的频率范围匹配。
- 安装之前，将天线的“向上”箭头标签指向上方。这样放置可以使排水孔位于天线底部。



DB380-SINGLE 抱杆安装架。

(接第2页)

安全注意

天线的安装、维护或拆卸都需要由经验丰富的合格技术人员进行操作。康普（CommScope）安装说明是专为这些安装人员编写的。天线系统应由合格人员每年检查一次，以确定设备的安装、维护和状况良好。

对于因不当或不安全安装导致的任何后果，康普概不负责。

现场安装应关闭传输功率，遵循所有安全警示操作说明。



请勿安装在电源线附近。电源线、电话线和拉线外观相同，任何导线都可能致人触电身亡。

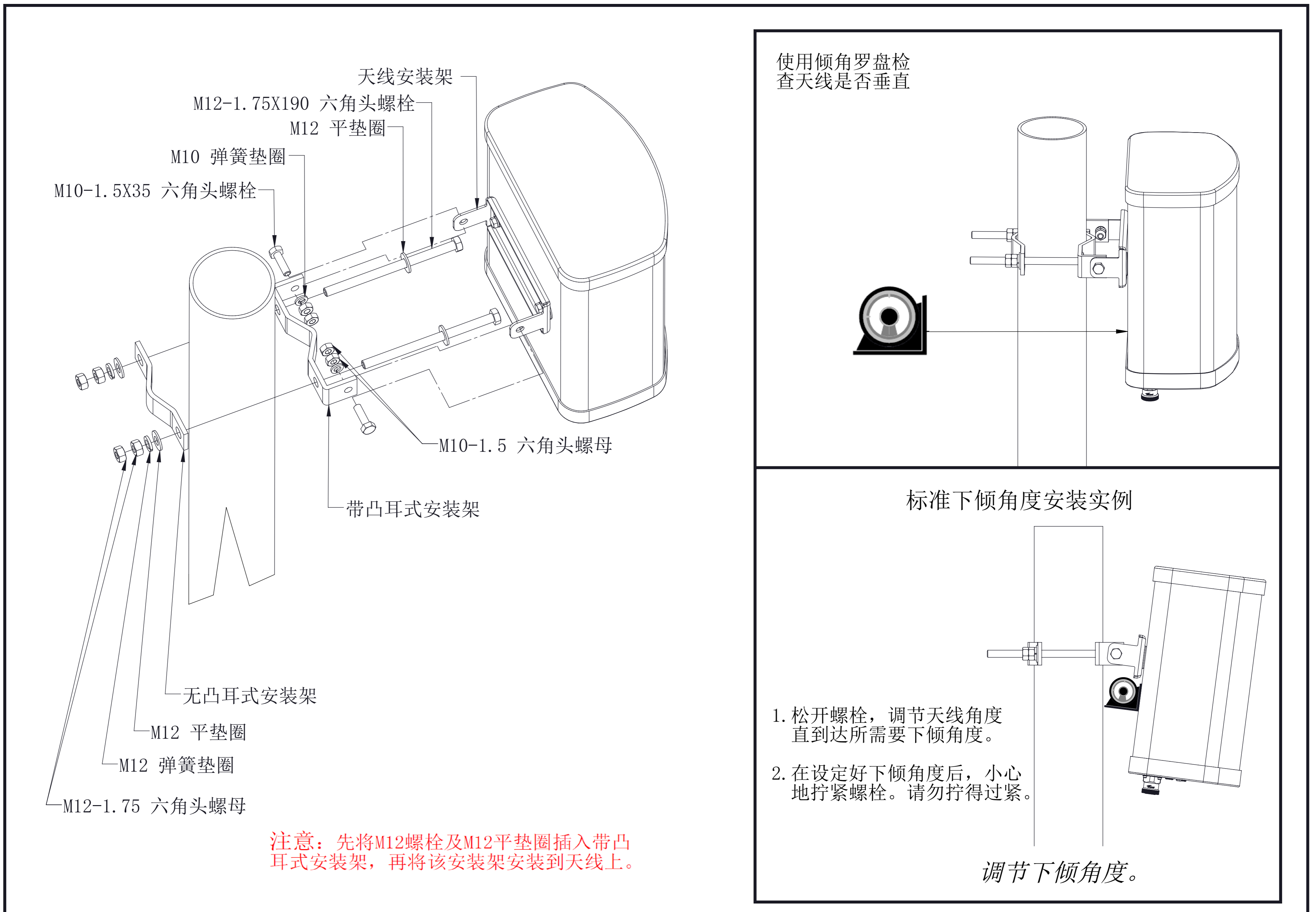


请勿在有雨、有风或者所在区域有闪电或雷声时安装，请勿使用金属梯子。

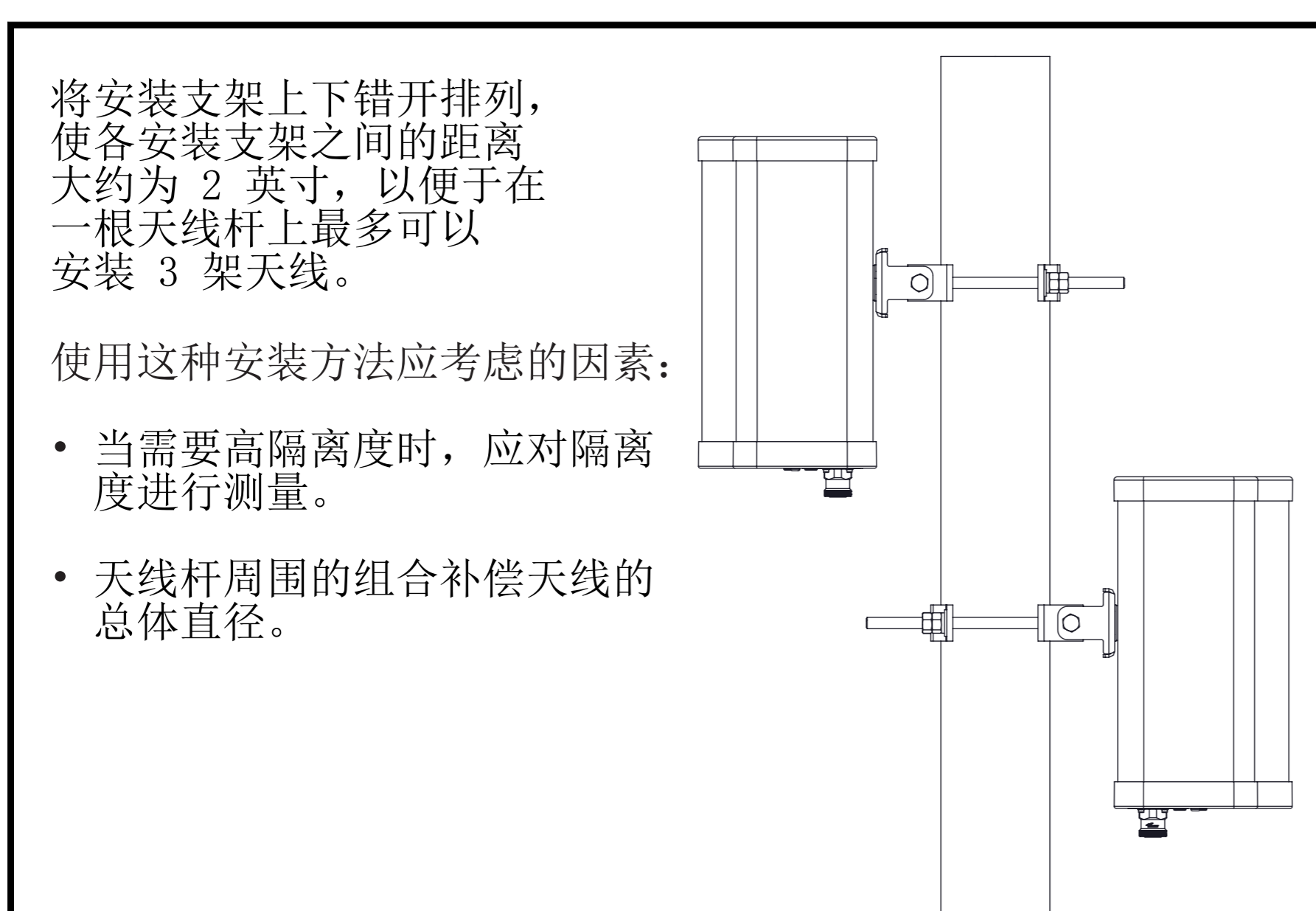


请穿上有橡胶鞋底和橡胶跟的鞋子。请穿有长袖衬衫和橡胶手套的防护服。

(接第一页)



使用DB380-SINGLE抱杆安装架将天线安装到天线杆上。



使用DB380-SINGLE安装多根天线。