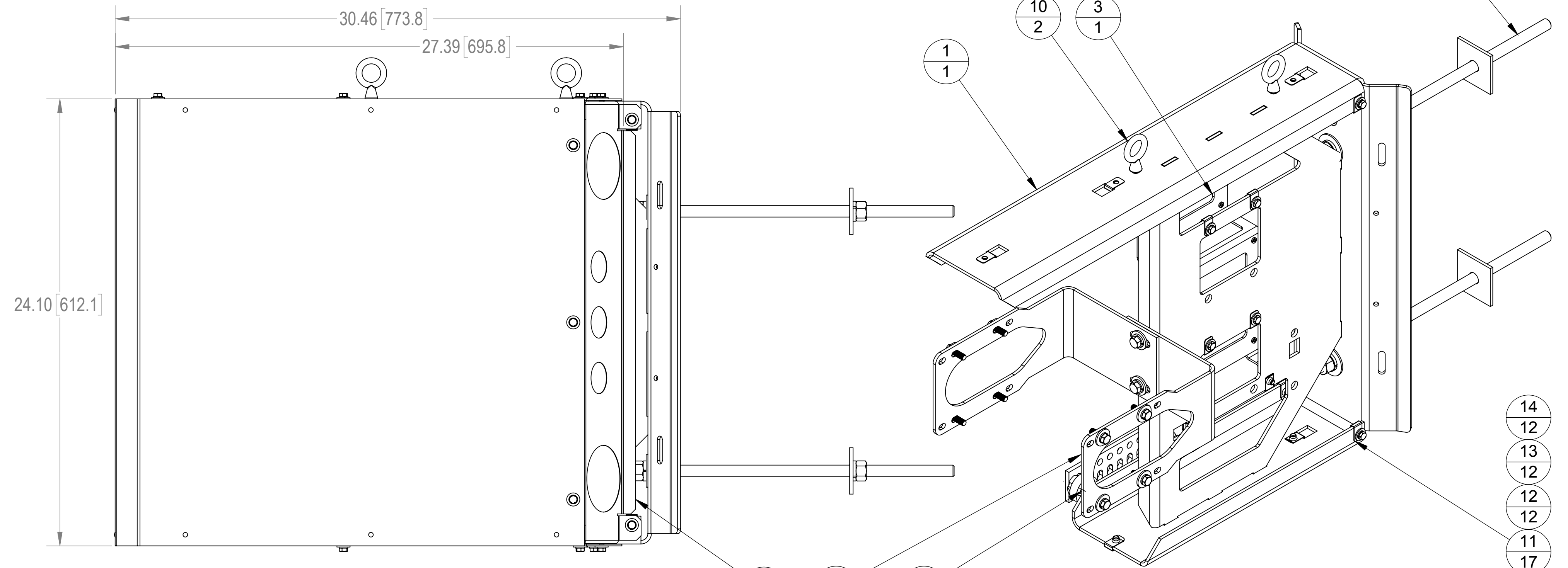


REVISIONS				
REV.	ECN	DESCRIPTION	BY	DATE
A	8000033836	INITIAL RELEASE	GR1010	09-JAN-19

- NOTES:
- GENERAL NOTES
 - ALL METRIC DIMENSIONS ARE IN BRACKETS.
 - FEATURES CRITICAL TO QUALITY ARE INDICATED IN ROUNDED BOX (XX)
 - DESIGN NOTES
 - MANUFACTURING/SPECIAL REQUIREMENT
 - TEST
 - PACKAGING
 - BAG AND TAG ITEMS INDICATED AND HARDWARE SHOWN.
PACKAGE IN BOX FOR CUSTOMER INSTALLATION USING PARTS AND HARDWARE PROVIDED AND AS SHOWN IN ASSEMBLY VIEWS.
 - PRINTED DOCUMENT TO BE PLACED INSIDE SHIPPING BOX.
 - HARDWARE IS FOR CUSTOMER INSTALLATION SPARES MAY BE INCLUDED.



ITEM NO.	PART NUMBER	DESCRIPTION	BOM/QTY.	NOTE
1	MTM1057-1000	WELDMENT, RRU & PSU COMBO MOUNT	1	
2	MTM1057-1102	BRACKET, RADIO MOUNT	2	
3	mtm1057-1103	BRACKET, PSU MOUNT	1	
4	MTM1018PHW	METROCELL COMBO BRACKET, POLE MOUNT HARDWARE	1	
5	MTM1057-1200-XX	ASSY, SHROUD	1	
6	MTC388804	6 POSITION GROUND BAR 2" X 7", COPPER	1	
7	MT520	INSULATOR W/ 3/8" INSERT	2	
8	SWL-03	3/8" SS LOCK WASHER	4	
9	SB0305	3/8" X 5/8" SS BOLT	4	
10	3014T954	3/8"-16 Thread Eyebolt	2	
11	460143456	Clip Nut, 316 SST Alloy	17	5.1,5.3
12	100525-71	WSHR,FLAT,M6,6.4X18X1.6,SST,PASS	12	5.1,5.3
13	100522-90	WSHR,LK,SPLT, M6,SST, PASS	12	5.1,5.3
14	MTC9414	Bolt, Hex Head M6 x20mm StainlessSteel	12	5.1,5.3
15	MTC978706	SS Washer Flat, M10	2	5.1,5.3
16	MTC978704	M10 SS LOCK WASHER	2	5.1,5.3
17	GB-03145	3/8" X 1-1/2" GALV BOLT KIT	2	5.1,5.3
18	GWFM-8	Galv Washer Flat, M8	8	5.1,5.3
19	GWLM-8	8mm GALV. LOCK WASHER	8	5.1,5.3
20	MTC9415	M8 X 25mm HEX BOLT SS	8	5.1,5.3
21	SSC-760239913	REFERENCE DOCUMENT	1	5.2

- 5
1
- 2
2
- 15
2
- 16
2
- 17
2
- 18
8
- 19
8
- 20
8
- 6
1
- 7
2
- 8
4
- 9
4

DENSITY	0.18	lbs/in ³
MASS	80.14	lbs
VOLUME	442.45	in ³
SURFACE AREA	7751.28	in ²
HEIGHT	24	
LENGTH	30.5	
WIDTH	12.6	

COMMSCOPE, INC. OF NORTH CAROLINA

TOLERANCES
 0 PLACE X ± 0.125 2 PLACE .XX ± 0.04
 1 PLACE .X ± 0.06 ANGLES ± 0.5°

SAP MATERIAL MASTER
SSC-760239913-XX

FINISH: NONE MATERIAL: SEE BOM

NAME	DATE	TITLE
CE GR1010	15-JAN-201	METROCELL, WOODPOLE, FOR ERC RRU
RW GR1010	03/08/2019	
RV		
AD JP1130	03/08/2019	
RE GR1010	03/08/2019	

SCALE: **1:4** DOCUMENT NO.: **SSC-760239913-XX**

ECN 008000033836

SIZE	WORK AREA	MODEL	DRAWING				SHEET		
C	24		VERSION	STATUS	REVISION	VERSION	STATUS	REVISION	1 OF 6
			00	RE		00	RE	A A	

4

3

2

1

D

D

C

C

B

B

A

A

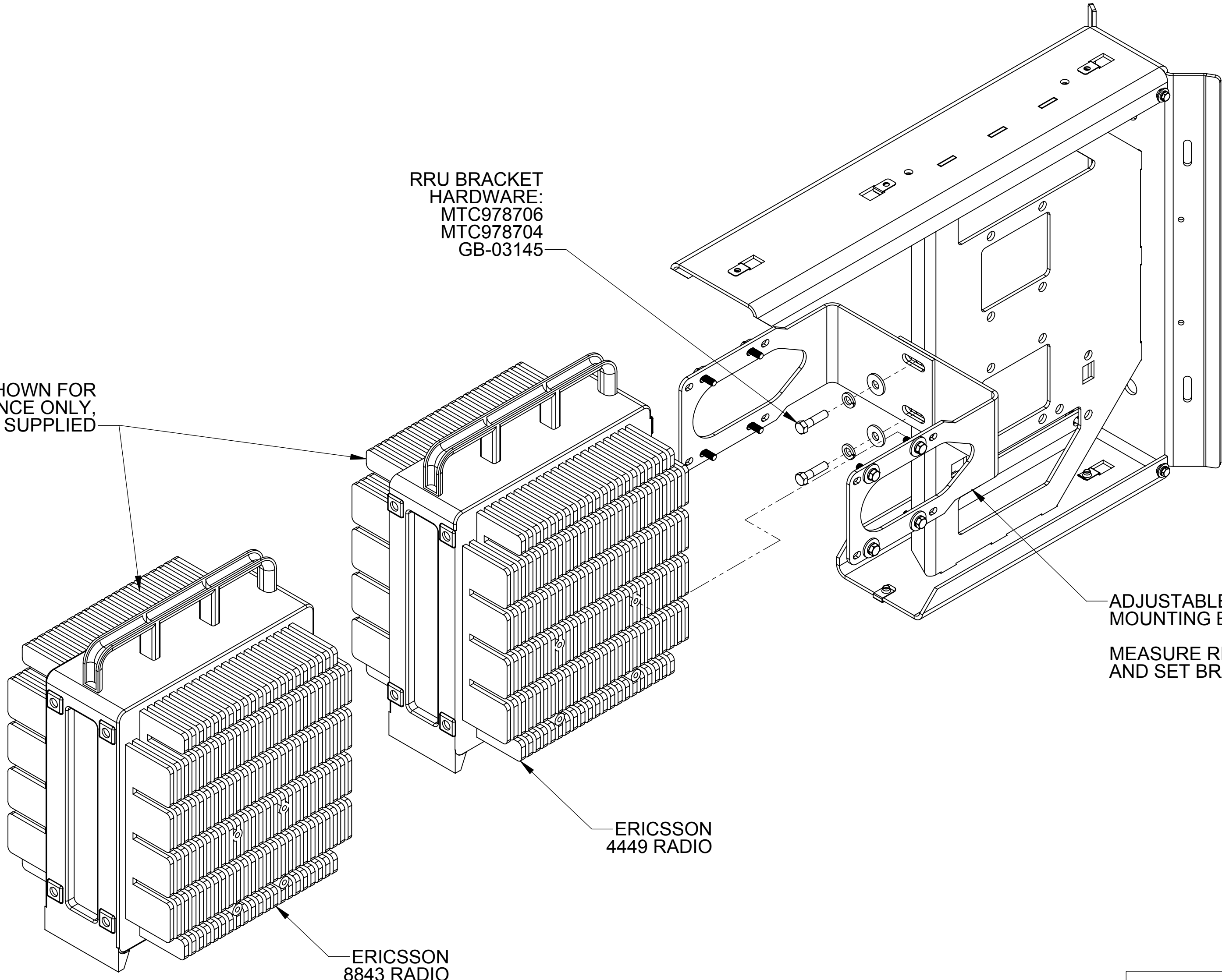
RADIOS SHOWN FOR
REFERENCE ONLY,
NOT SUPPLIED

RRU BRACKET
HARDWARE:
MTC978706
MTC978704
GB-03145

ADJUSTABLE RRU
MOUNTING BRACKETS
MEASURE RRU WIDTH
AND SET BRACKET WIDTH

ERICSSON
4449 RADIO

ERICSSON
8843 RADIO



RADIO INSTALLATION

COMMSCOPE, INC. OF NORTH CAROLINA

TITLE
METROCELL, WOODPOLE BRKT, FOR ERC RRU

SIZE C	SCALE 1:4	DOCUMENT NO. SSC-760239913
------------------	---------------------	-------------------------------

	DRAWING			SHEET 2 OF 6
	VERSION 00	STATUS RE	REVISION A	

© 2019 CommScope, Inc. Confidential

4

3

2

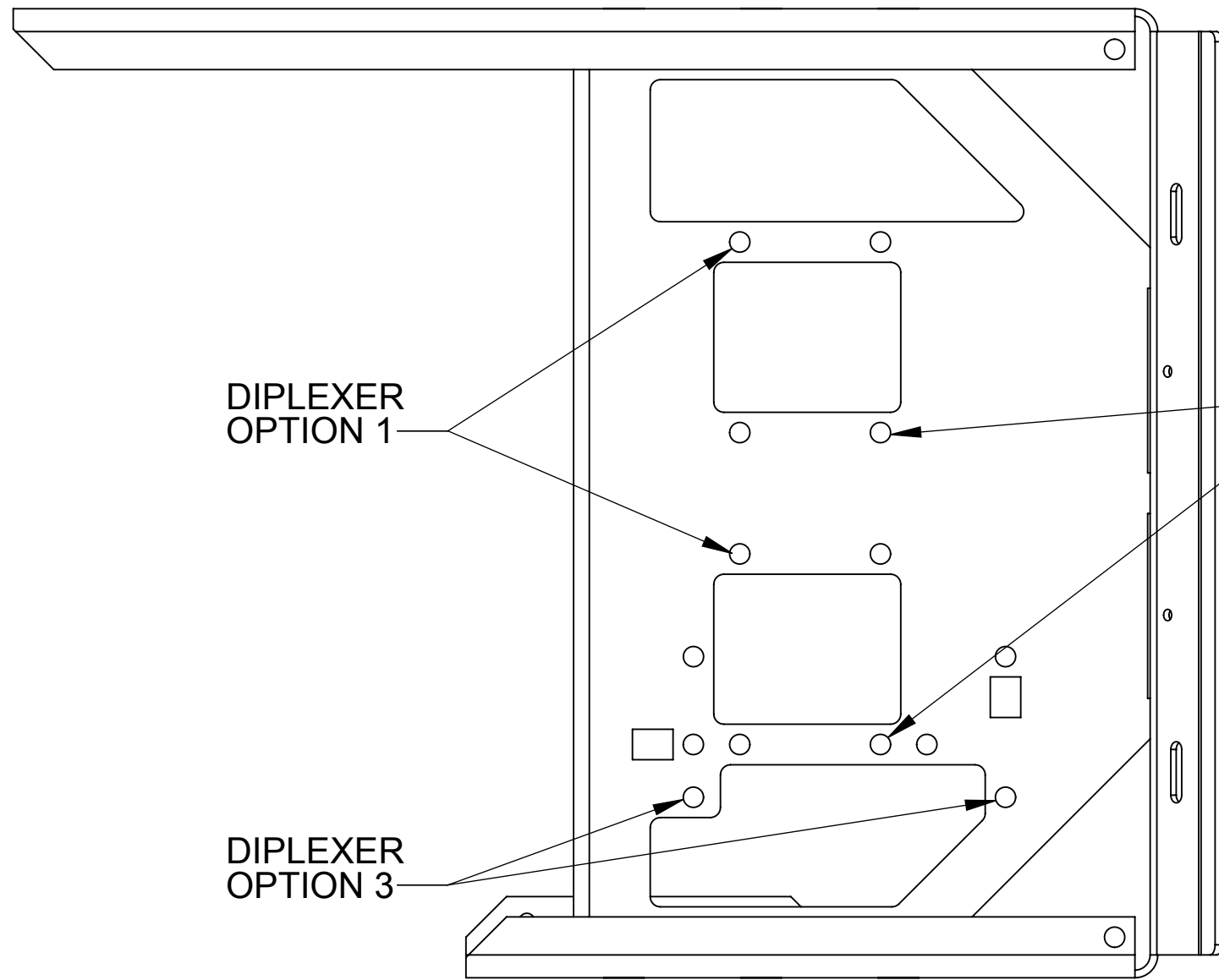
1

4

3

2

1



DIPLEXER
OPTION 1

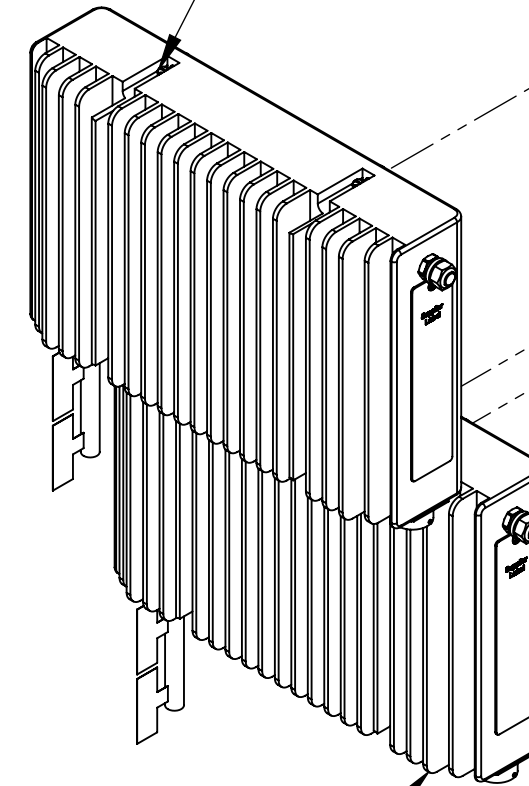
DIPLEXER
OPTION 2

DIPLEXER
OPTION 3

DIPLEXER ORIENTATION

MOUNT PSU
TO PLATE
USING 4
CAPTIVE BOLTS

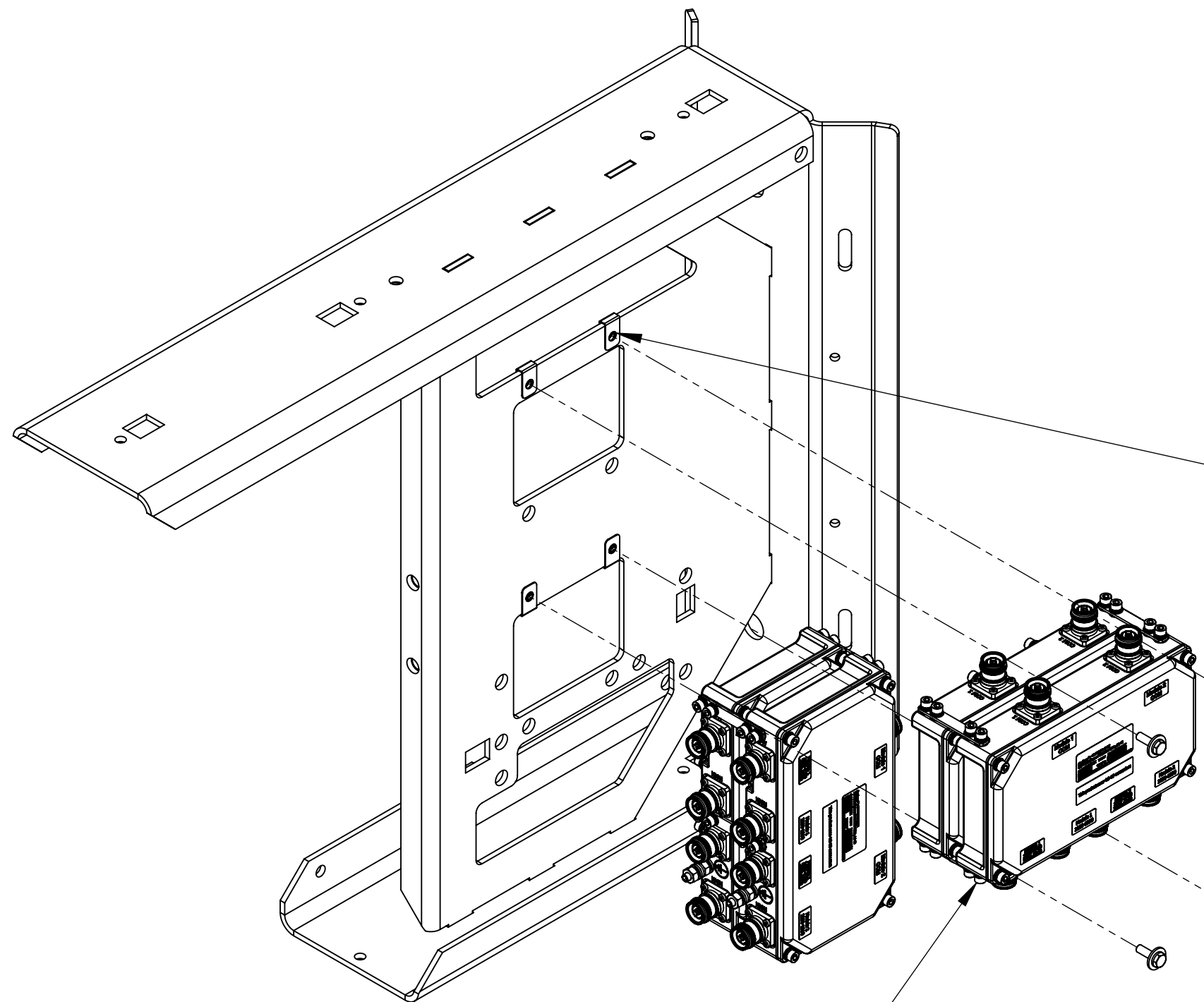
MOUNT PSU PLATE
TO POLE MOUNT
USING HARDWARE:
460143456
100525-71
100522-90
MTC9414



PSU REFERENCE
ONLY

PSU INSTALLATION

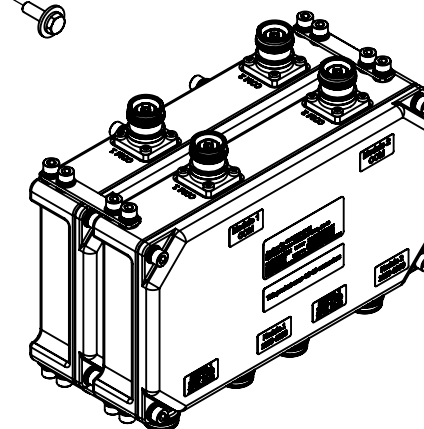
MOUNT GROUND BAR
USING HARDWARE:
MT520
SWL-03
SB0305



MOUNT TO PLATE
USING HARDWARE:
460143456
100525-71
100522-90
MTC9414

DIPLEXER
REFERENCE
ONLY

DIPLEXER INSTALLATION



COMMSCOPE, INC. OF NORTH CAROLINA				
TITLE METROCELL, WOODPOLE BRKT, FOR ERC RRU				
SIZE C	SCALE 1:4	DOCUMENT NO. SSC-760239913		
		DRAWING		SHEET
		VERSION 00	STATUS RE	REVISION A
				3 OF 6

4

3

2

1

4

3

2

1

D

D

C

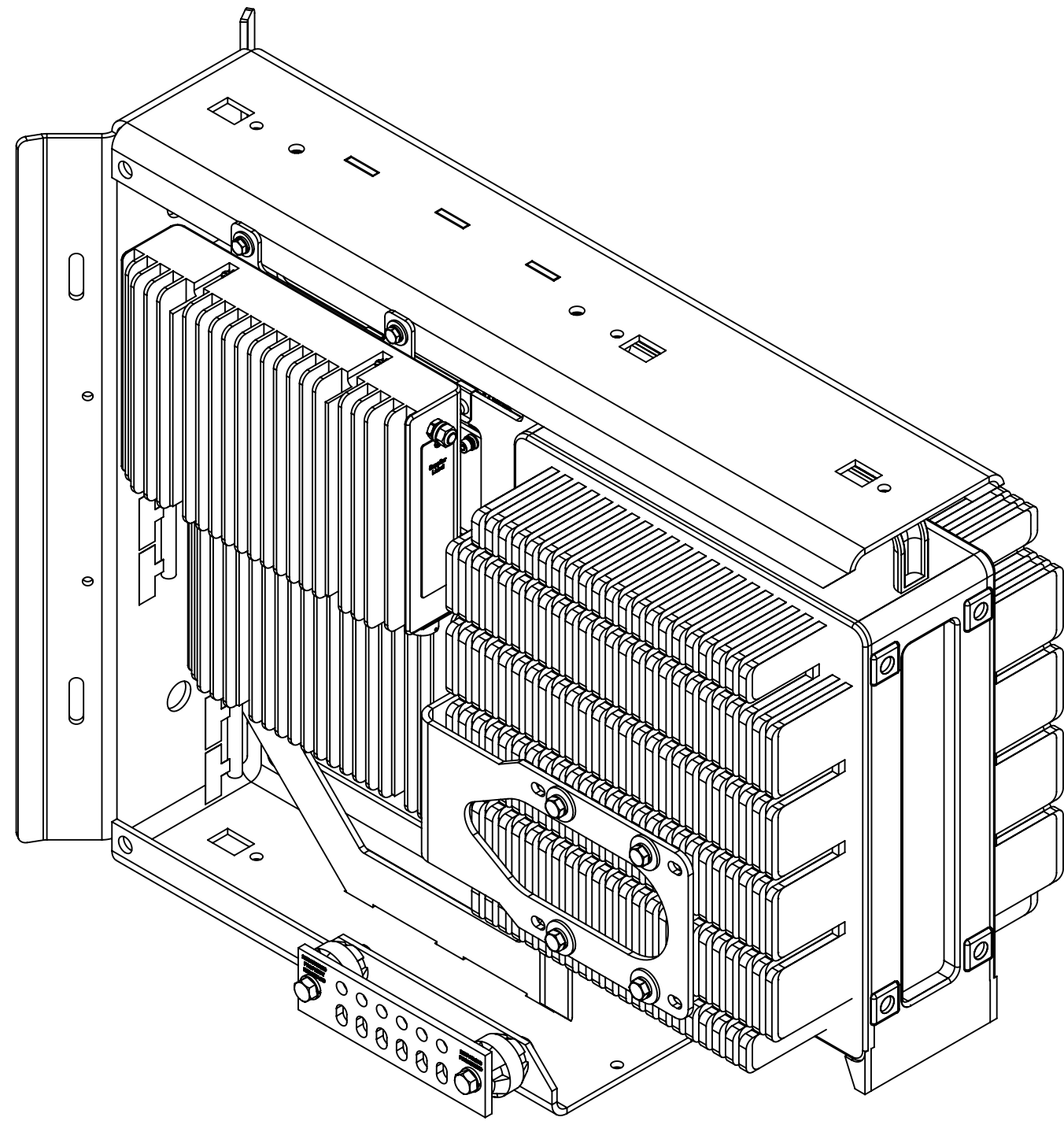
C

B

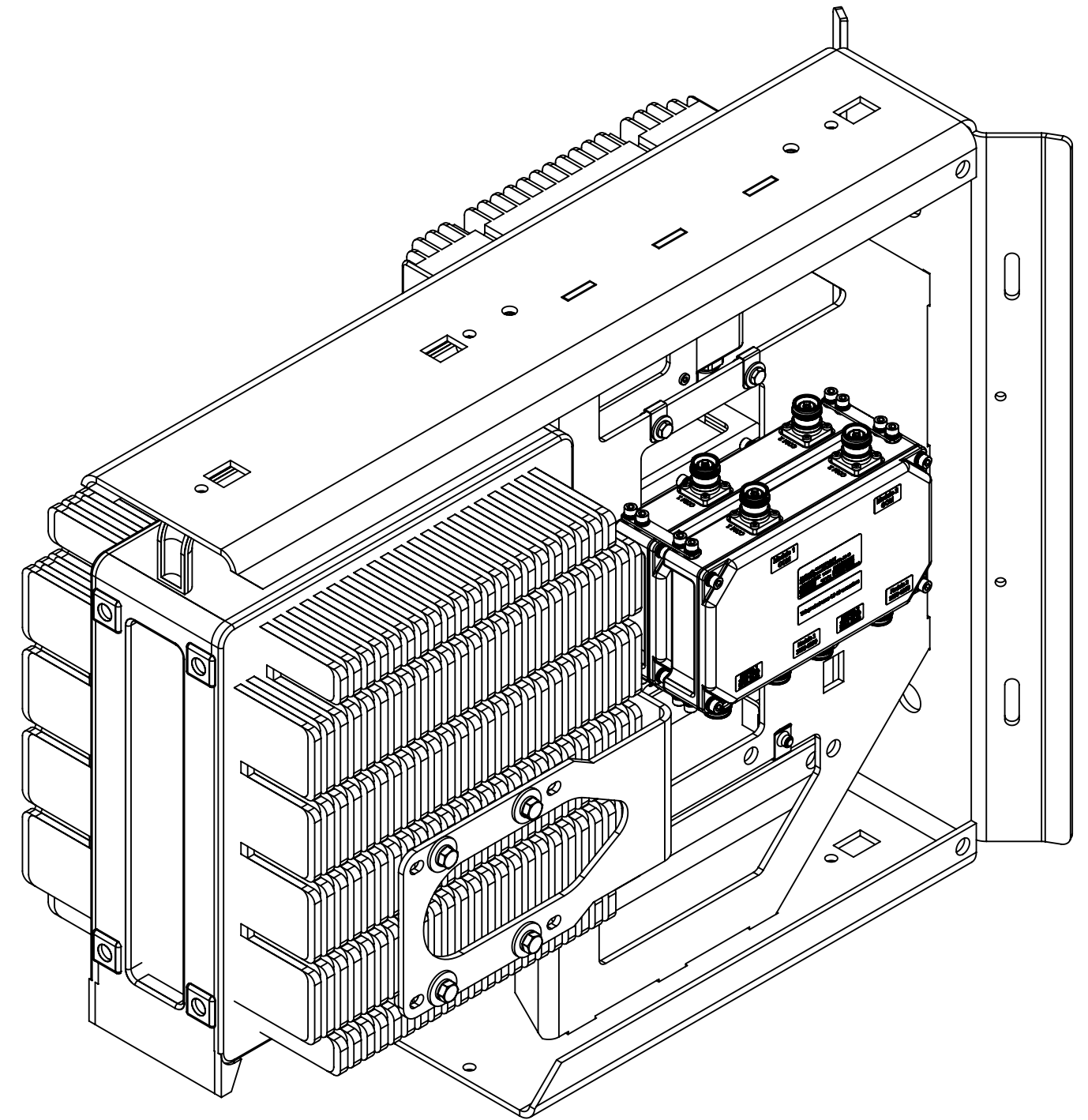
B

A

A



ALL EQUIPMENT



ALL EQUIPMENT

COMMSCOPE, INC. OF NORTH CAROLINA				
TITLE				
METROCELL, WOODPOLE BRKT, FOR ERC RRU				
SIZE	SCALE	DOCUMENT NO.		
C	1:4	SSC-760239913		
		DRAWING		SHEET
		VERSION	STATUS	REVISION
		00	RE	A
				4 OF 6

© 2019 CommScope, Inc. Confidential

4

3

2

1

4

3

2

1

D

D

C

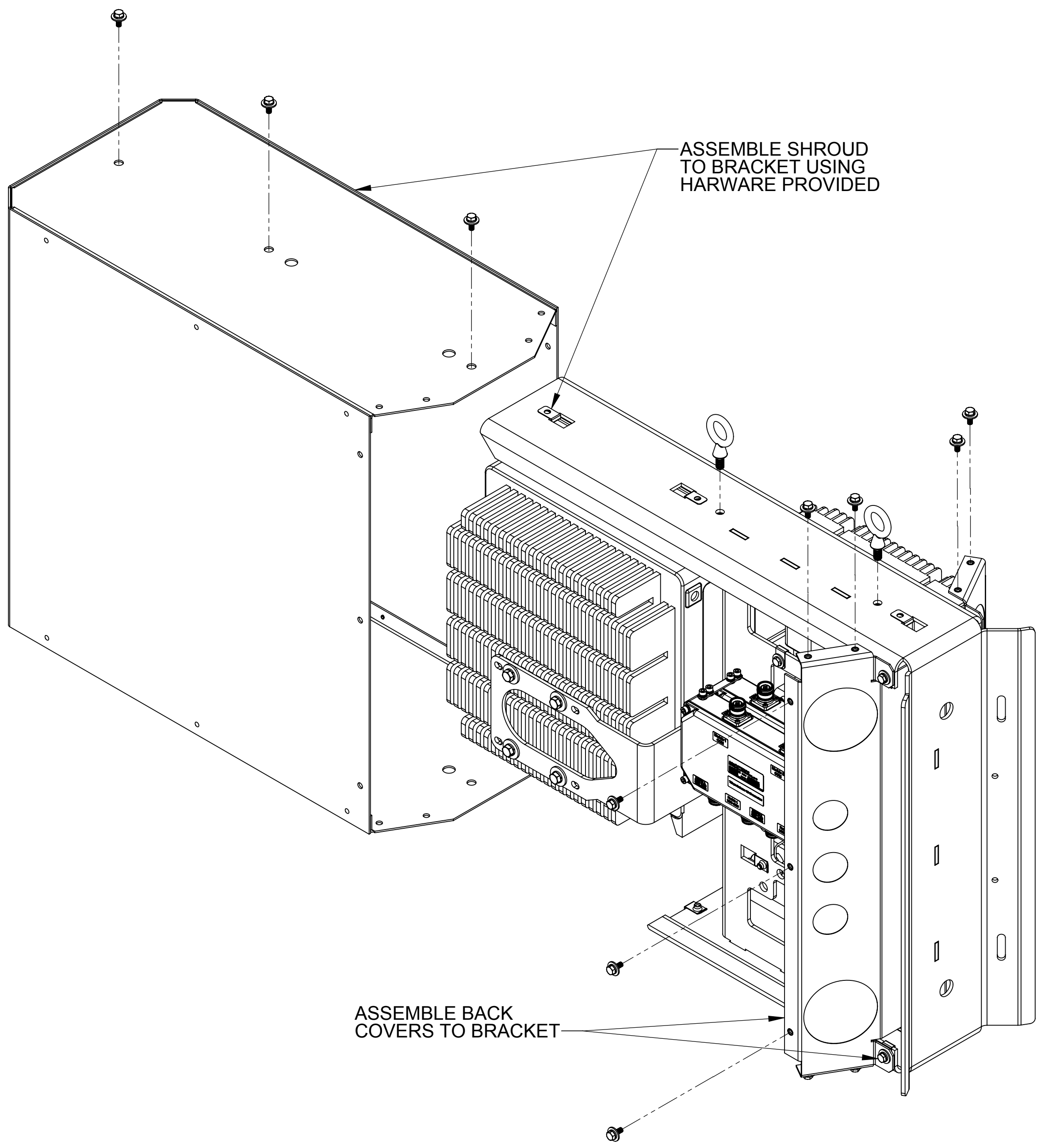
C

B

B

A

A



ASSEMBLE SHROUD
TO BRACKET USING
HARWARE PROVIDED

ASSEMBLE BACK
COVERS TO BRACKET

SHROUD INSTALLATION

COMMSCOPE, INC. OF NORTH CAROLINA				
TITLE				
METROCELL, WOODPOLE BRKT, FOR ERC RRU				
SIZE	SCALE	DOCUMENT NO.		
C	1:4	SSC-760239913		
		DRAWING		
		VERSION	STATUS	REVISION
		00	RE	A
				SHEET
				5 OF 6

4

3

2

1

4

3

2

1

D

D

C

C

B

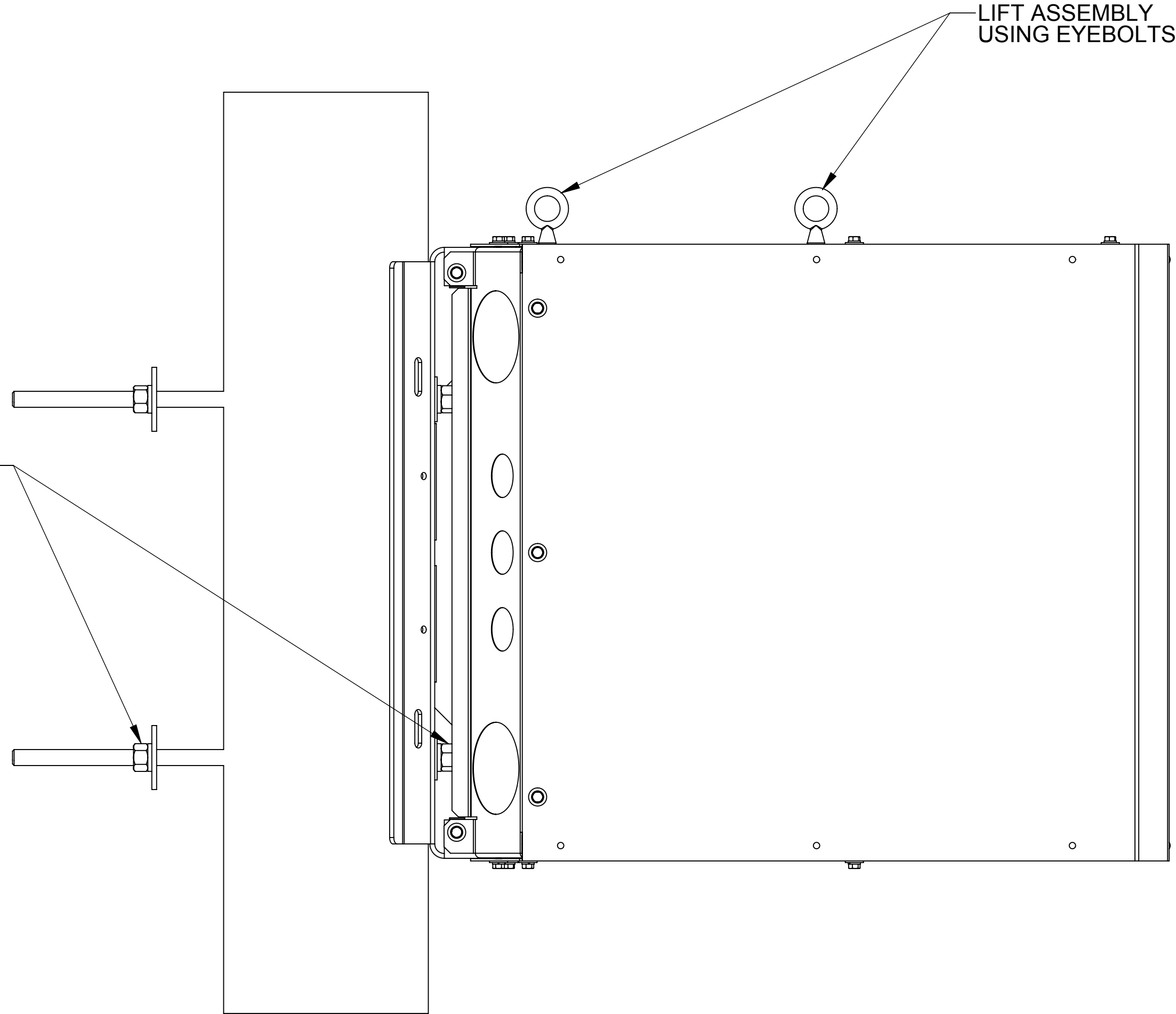
B

A

A

SECURE TO
WOOD POLE
INSTALL BACK COVER


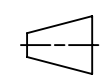
LIFT ASSEMBLY
USING EYEBOLTS



COMMSCOPE, INC. OF NORTH CAROLINA

TITLE
METROCELL, WOODPOLE BRKT, FOR ERC RRU

SIZE C	SCALE 1:4	DOCUMENT NO. SSC-760239913
------------------	---------------------	--------------------------------------

 	DRAWING			SHEET 6 OF 6
	VERSION 00	STATUS RE	REVISION A	

© 2019 CommScope, Inc. Confidential

4

3

2

1

