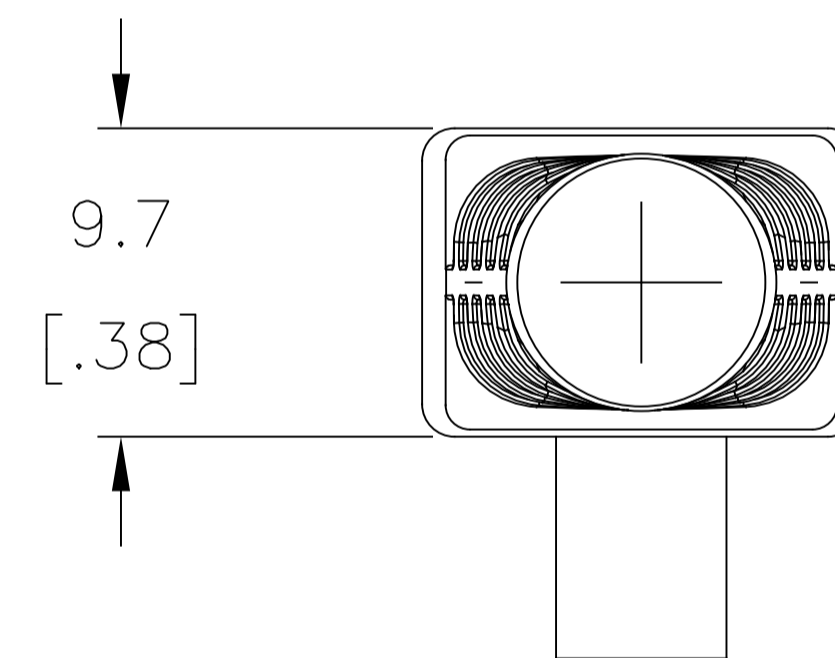
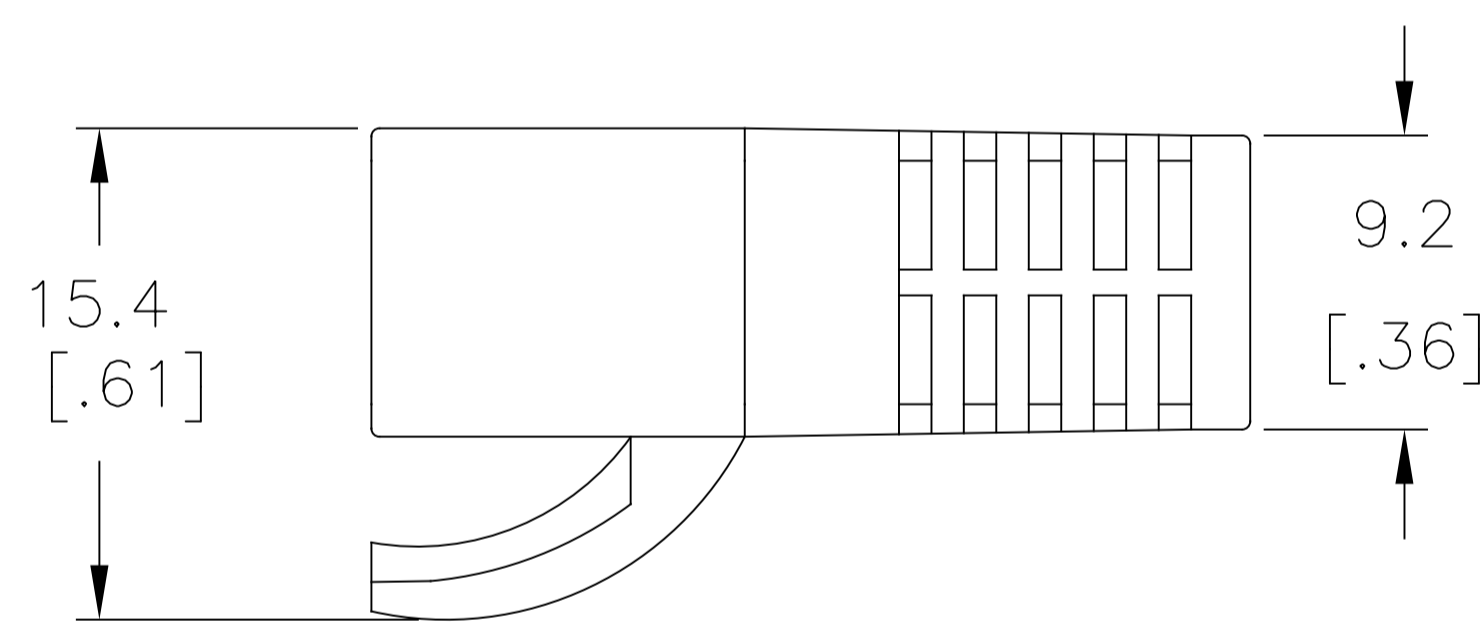
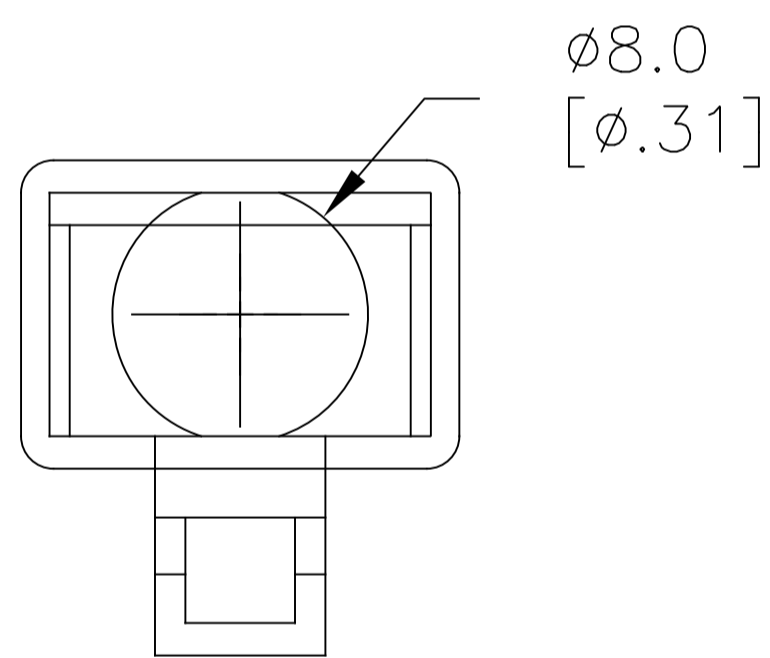
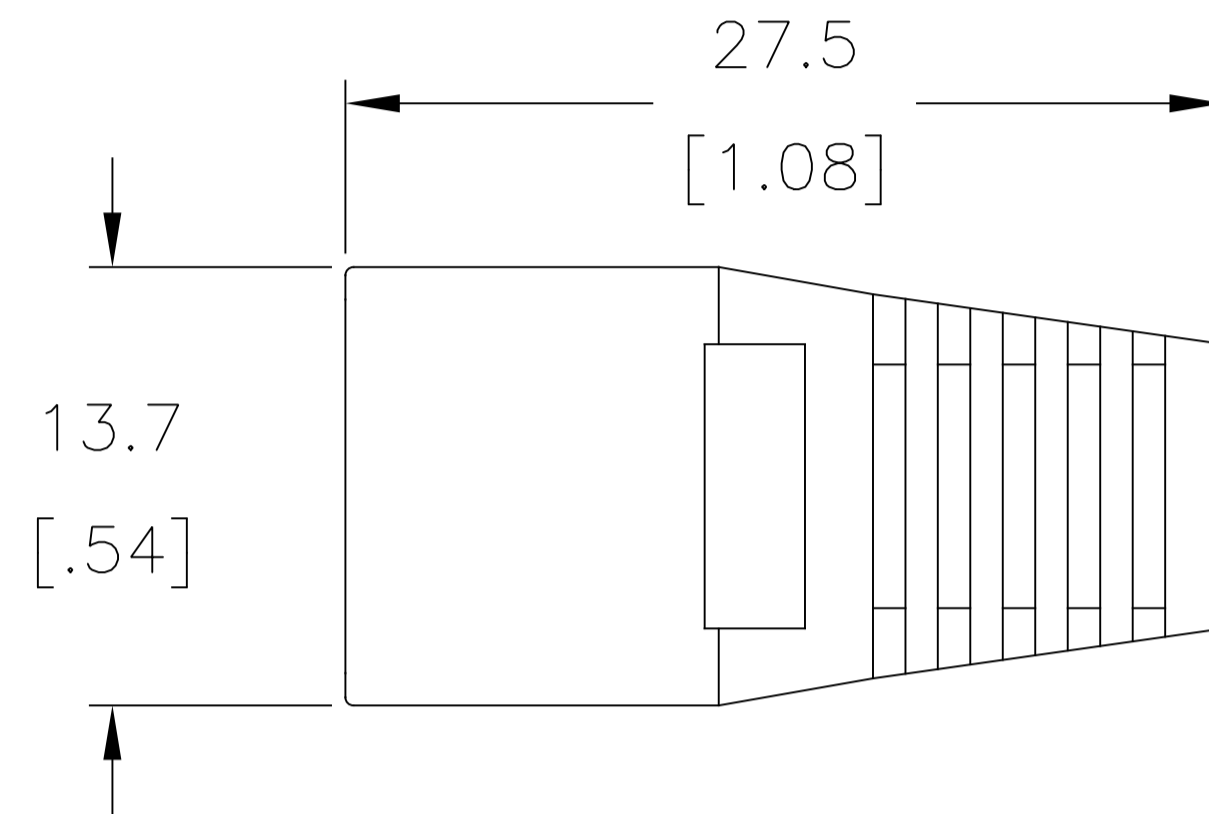
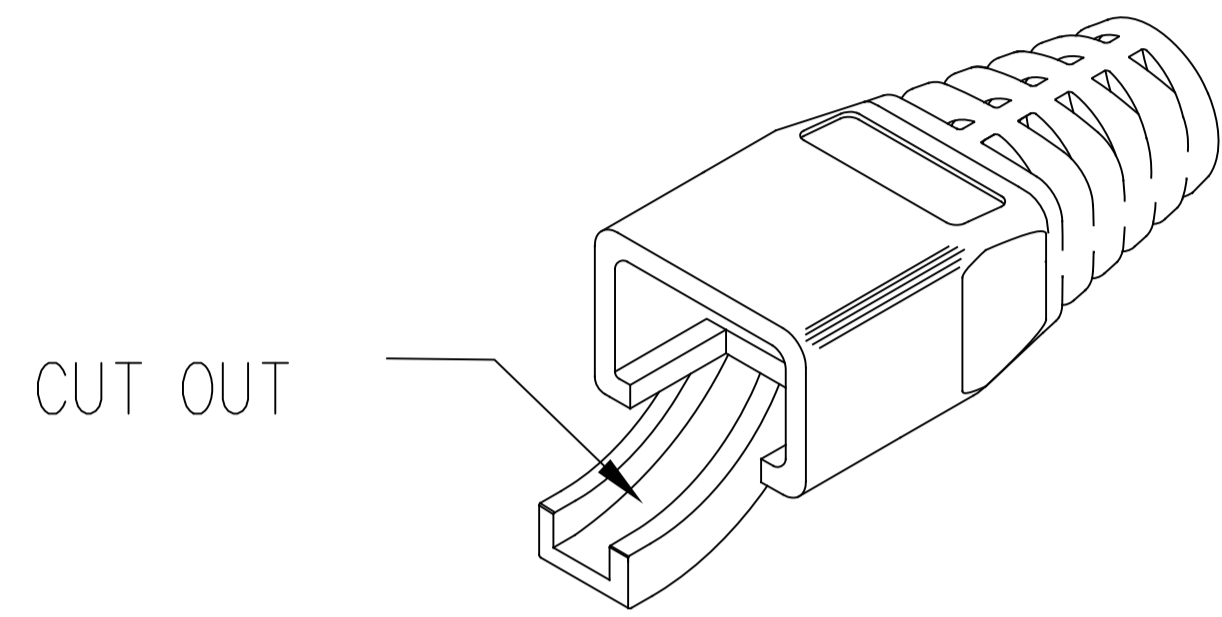


THIS DRAWING IS UNPUBLISHED.      RELEASED FOR PUBLICATION

© 2016 Commscope, INC. Confidential      NOTICE: These drawings and specifications are the proprietary property of COMMSCOPE, INC. and may be used only for the specific purpose authorized in writing by COMMSCOPE, INC.

REVISIONS				
P	LTR	DESCRIPTION	DATE	APVD
C		40129216CMO	15APR21	GG MS

- 1 MATERIAL: PVC
- 2 ALL DIMENSIONS ARE NOMINAL.
- 3. 100 PCS PER PACKAGE.



YELLOW	1933943-6
BLUE	1933943-4
GREY	1933943-2
WHITE	1933943-1
COLOR	PART No.

THIS DRAWING IS A CONTROLLED DOCUMENT.		DWN J. BURWELL 13JAN2009	<b>COMMSCOPE, INC.</b>		
DIMENSIONS: mm [ INCHES ]		CHK B. MCNEILL 13JAN2009			
TOLERANCES UNLESS OTHERWISE SPECIFIED:		APVD B. MCNEILL 13JAN2009	NAME BOOT, HOODED, 0.310		
0 PLC ± -		PRODUCT SPEC	SIZE A2		
1 PLC ± -		APPLICATION SPEC	CAGE CODE C=1933943		
2 PLC ± -		WEIGHT	DRAWING NO 1933943		
3 PLC ± -		FINISH	RESTRICTED TO		
4 PLC ± -			SCALE 1:1		
ANGLES ± -			SHEET 1 of 1		
MATERIAL			REV C		
- 1			CUSTOMER DRAWING		

1933943

A