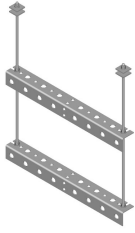


# WB-TD12

---



Trapeze Kit, 12 in wide, two rungs

## Product Classification

**Product Type** Trapeze kit

## General Specifications

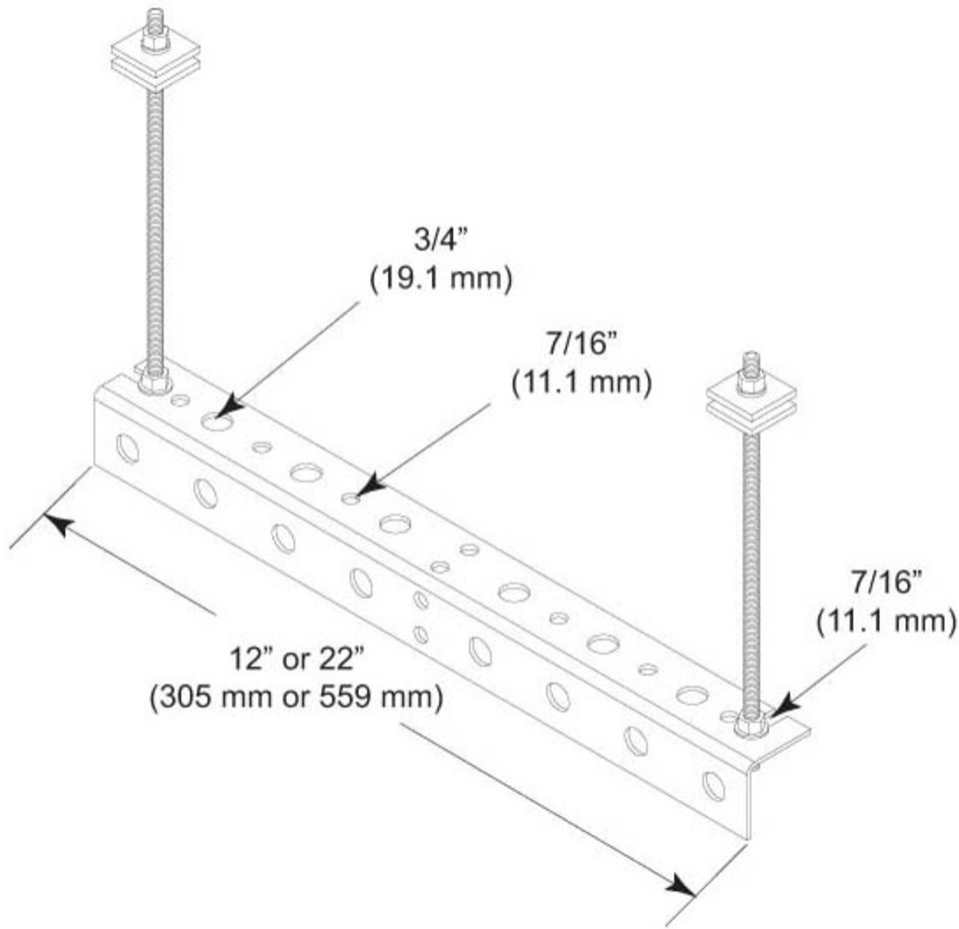
**Application** Waveguide bridge kit, 12 in  
**Cable Runs, quantity** 8  
**Hole, quantity** 8  
**Mounting** Waveguide bridge channel  
**Rungs, quantity** 2

## Dimensions

**Height** 101.6 mm | 4 in  
**Width** 304.8 mm | 12 in  
**Length** 152.4 mm | 6 in  
**Hole Size** 3/4 in | 7/16 in

# WB-TD12

## Outline Drawing



## Material Specifications

**Material Type** Hot dip galvanized steel

## Packaging and Weights

**Included** Angle brackets | Hardware | Threaded rod

**Packaging quantity** 1

**Weight, net** 2.3 kg | 5.071 lb

## Regulatory Compliance/Certifications

**Agency** **Classification**

# WB-TD12

---

CHINA-ROHS

Below maximum concentration value

ISO 9001:2015

Designed, manufactured and/or distributed under this quality management system

REACH-SVHC

Compliant as per SVHC revision on [www.commscope.com/ProductCompliance](http://www.commscope.com/ProductCompliance)

ROHS

Compliant

