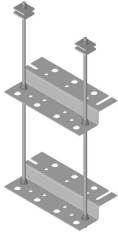


WB-TK12D



Trapeze Kit, 12 in wide, two rungs

Product Classification

Product Type Trapeze kit

General Specifications

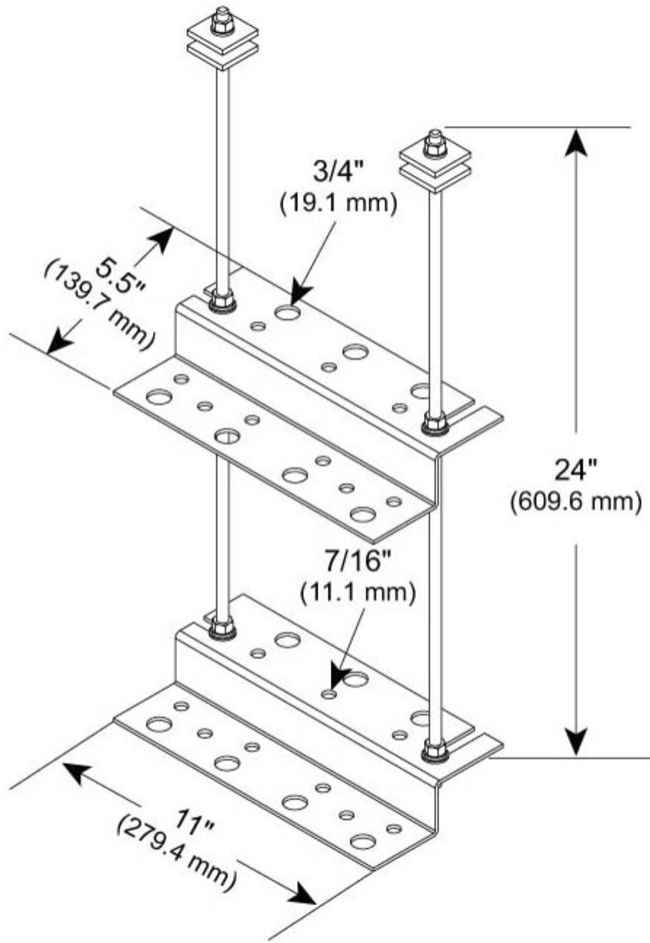
Application Waveguide bridge kit, 12 in
Cable Runs, quantity 14
Hole, quantity 14
Mounting Waveguide bridge channel
Rungs, quantity 2

Dimensions

Height 101.6 mm | 4 in
Width 304.8 mm | 12 in
Length 152.4 mm | 6 in
Hole Size 3/4 in | 7/16 in

WB-TK12D

Outline Drawing



Material Specifications

Material Type Hot dip galvanized steel

Packaging and Weights

Included Hardware | Threaded rod | Z-bracket

Packaging quantity 1

Weight, net 3.2 kg | 7.055 lb

Regulatory Compliance/Certifications

Agency **Classification**

WB-TK12D

CHINA-ROHS	Above maximum concentration value
ISO 9001:2015	Designed, manufactured and/or distributed under this quality management system
ROHS	Compliant/Exempted
UK-ROHS	Compliant/Exempted



Included Products

- ZB-H4 – Horizontal Z-bracket, 11 in, for seven coaxial cable runs