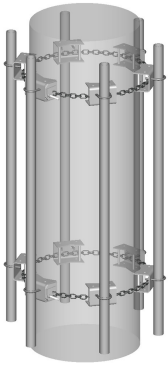


# CM-606-96

---



Chain Mount Kit, 16 ft chain, includes pipe

**OBSOLETE**

## Product Classification

**Product Type** Chain mount kit

## General Specifications

**Chains, quantity** 2

**Pipe, quantity** 6

**Sectors, quantity** 6

## Dimensions

**Height** 152.4 mm | 6 in

**Width** 203.2 mm | 8 in

**Length** 2,438.4 mm | 96 in

**Chain Length** 4,902.2 mm | 193 in

**Pipe Length** 2,438.4 mm | 96 in

**Mounting Diameter, maximum** 1524 mm | 60 in

**Mounting Diameter, minimum** 355.6 mm | 14 in

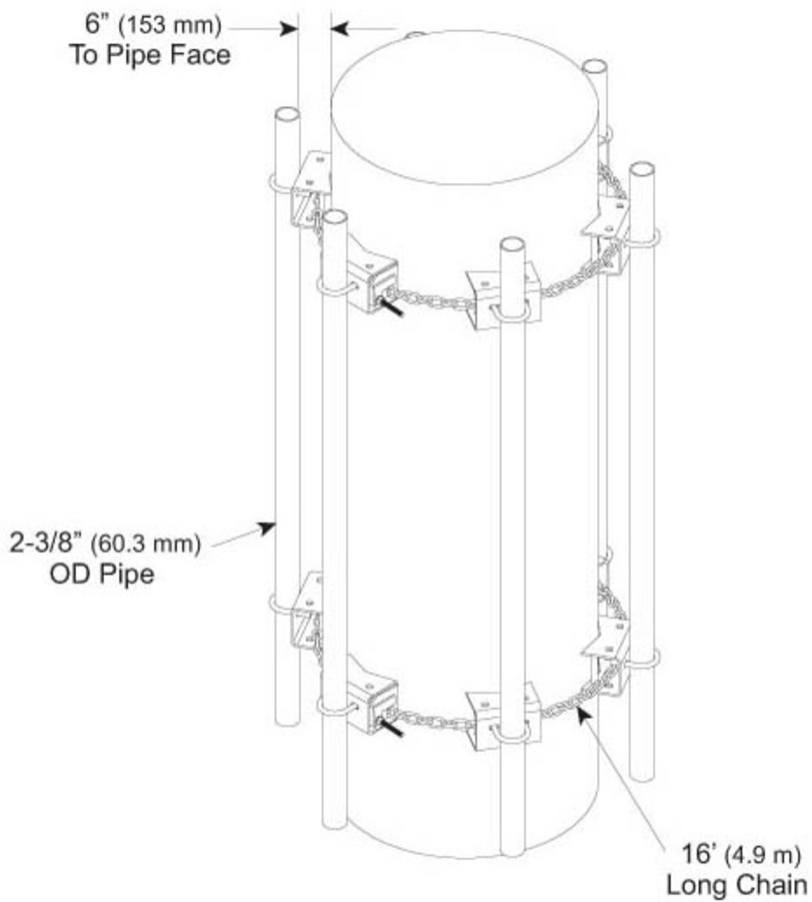
**Pipe Outer Diameter** 60.96 mm | 2.4 in

**Mounting Circumference, maximum** 4,775.2 mm | 188 in

**Mounting Circumference, minimum** 1,117.6 mm | 44 in

# CM-606-96

## Outline Drawing



## Material Specifications

**Material Type** Hot dip galvanized steel

## Mechanical Specifications

**Wind Rating** 120 mph (BWS) at 100 ft AGL

**Wind Rating Criteria** One 96 in x 10 in panel antenna per sector

**Wind Rating Test Method** TIA/EIA-222

## Packaging and Weights

**Included** Chains | Plain end pipes

# CM-606-96

---

**Packaging quantity** 1  
**Weight, net** 124.7 kg | 274.916 lb

## Regulatory Compliance/Certifications

### Agency

ISO 9001:2015

### Classification

Designed, manufactured and/or distributed under this quality management system



## Included Products

- CM-606-B – Chain Mount Base Kit, 14 in stand-off 16 ft chain
- MT-651-96 – Plain End Pipe, 2-3/8 in OD x 96 in .120" A500C 46Ksi

## \* Footnotes

**Wind Rating** BWS—Base Wind Speed; FBC—Florida Building Code