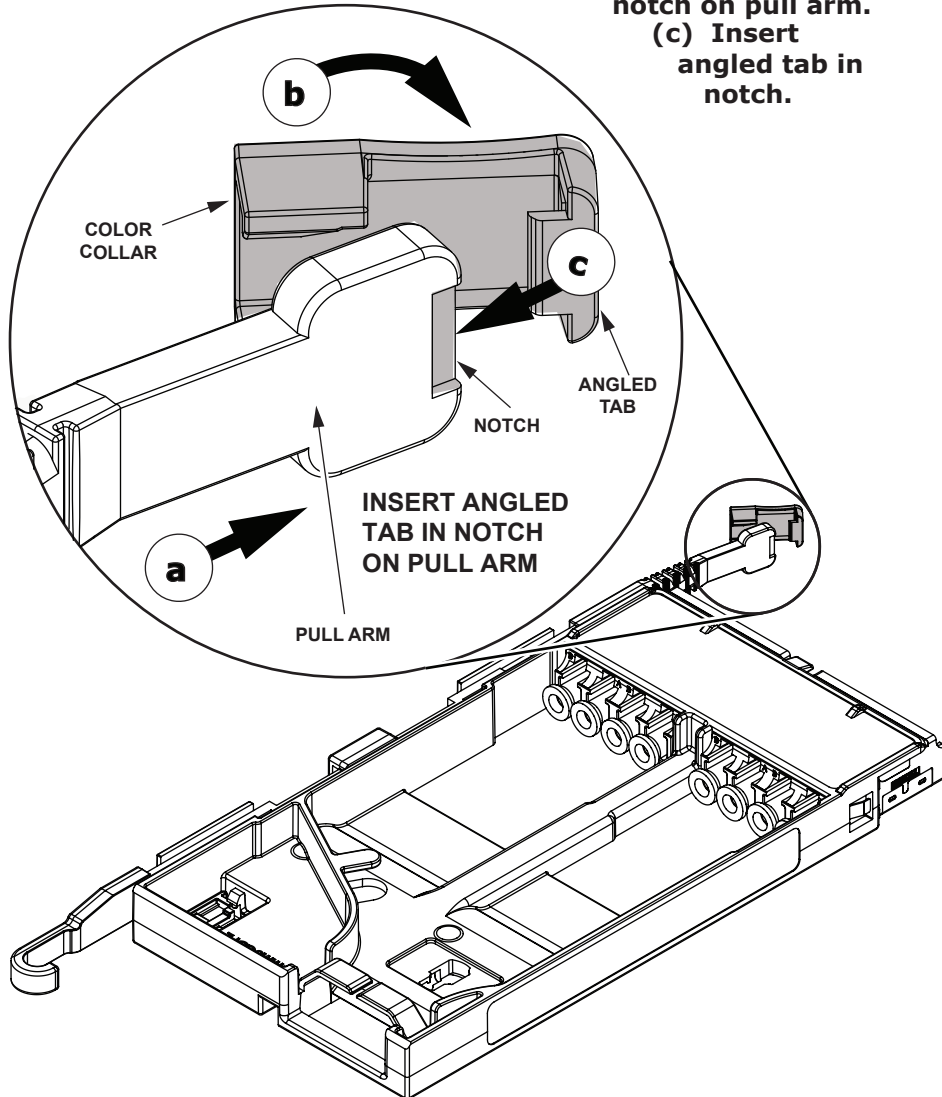
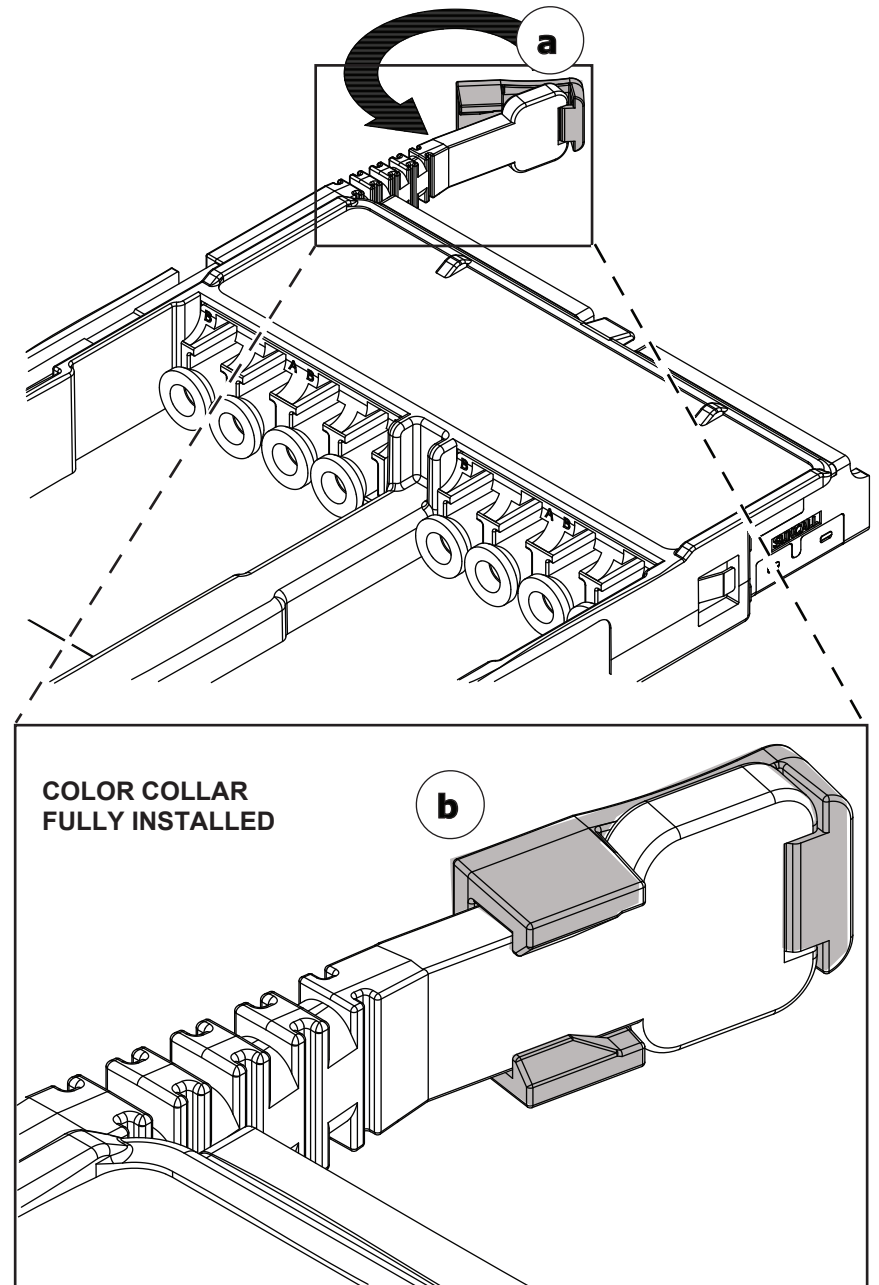


Propel Panel Color Collar for Pull Arm

- 1** (a) With pull arm as shown, (b) orient color collar with angled tab directed toward notch on pull arm. (c) Insert angled tab in notch.



- 2** (a) Pivot color collar toward pull arm until snaps over pull arm (b).



Product Support: <http://www.commscope.com/SupportCenter>