

# FACT Splice Drawer

INSTALLATION INSTRUCTION

COMMSCOPE®

## FACT SPLICE DRAWER

### Contents

1.	General product information .....	2	7.	Removing the Cover.....	8
2.	Warnings and caution .....	2	8.	Handling the Label .....	9
3.	Kit content.....	2	9.	Handling the Fiber Picker .....	10
4.	Mounting FACT Chassis in Rack.....	3	10.	Trade-marks .....	12
5.	Dismounting FACT Chassis .....	5	11.	Contact Information.....	12
6.	Opening the Cover .....	7			

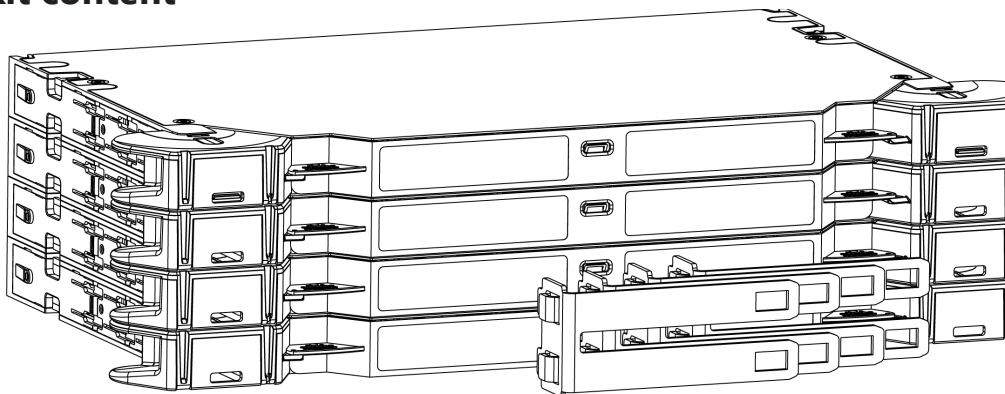
### 1. General product information

- The FACT multi-purpose splice chassis (FACT-xESPLxxx) feature Single Circuit and Single Element fiber management system technology.
- One FACT element is designed to enter from each side with max. 8 FOPT-tubes, 48 single-pigtails 1,8mm or 48x 900µm IFC cable.
- ***For cable installation and fiber routing into the chassis, please refer to the appropriate cable kit installation instructions (FACT-ACCCTUxxx).***

### 2. Warnings and caution

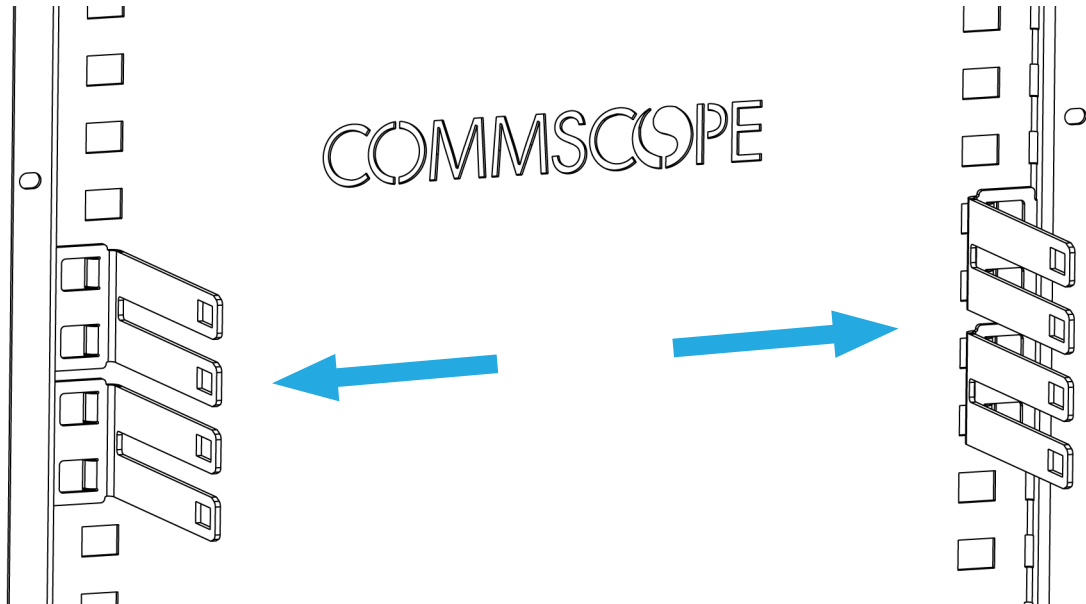
- Fiber optic cables may be damaged if bent or curved to a radius that is less than the recommended minimum bend radius. Always observe the recommended bend radius limit when installing fiber optic cables and patch cords.
- Exposure to laser radiation can seriously damage the retina of the eye. Do not look into the ends of any optical fiber. Do not assume the laser power is turned off or that the fiber is disconnected at the other end.

### 3. Kit content

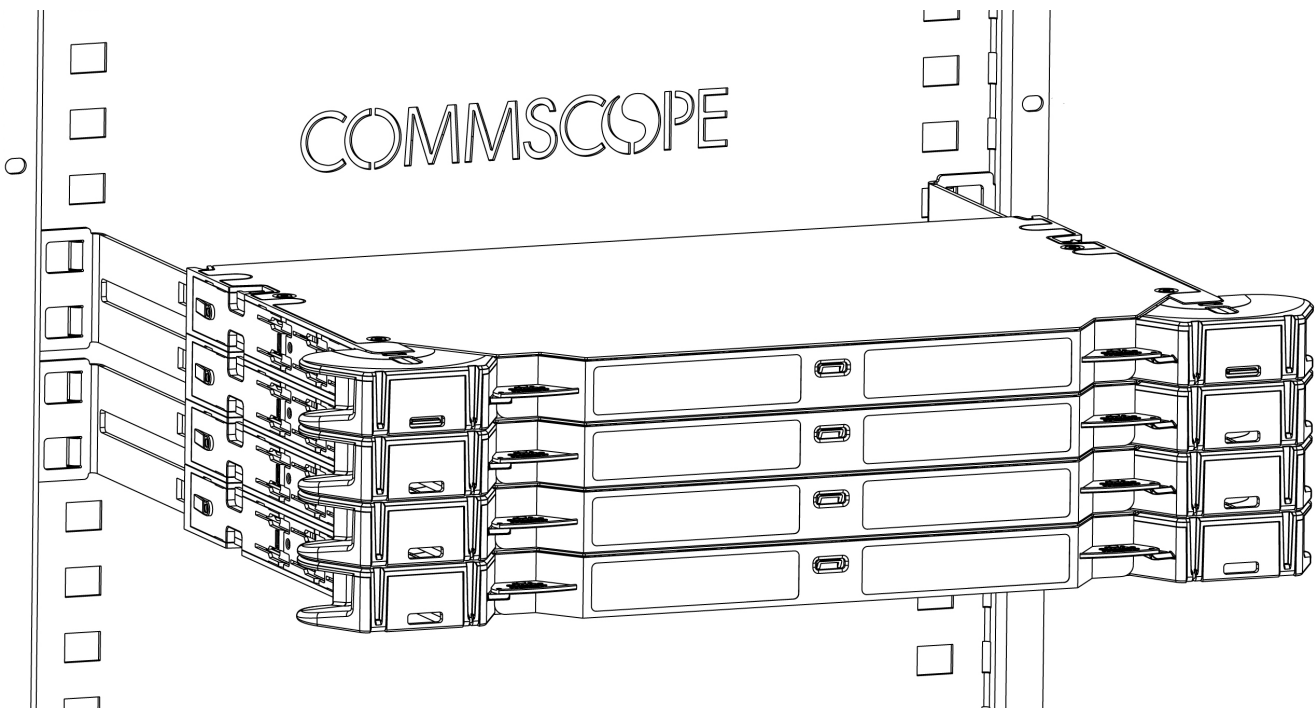


- 1x** FACT Splice Chassis (as ordered)
- 1x** Bracket Kit (according to chassis-configuration)

#### 4. Mounting FACT Chassis in Rack

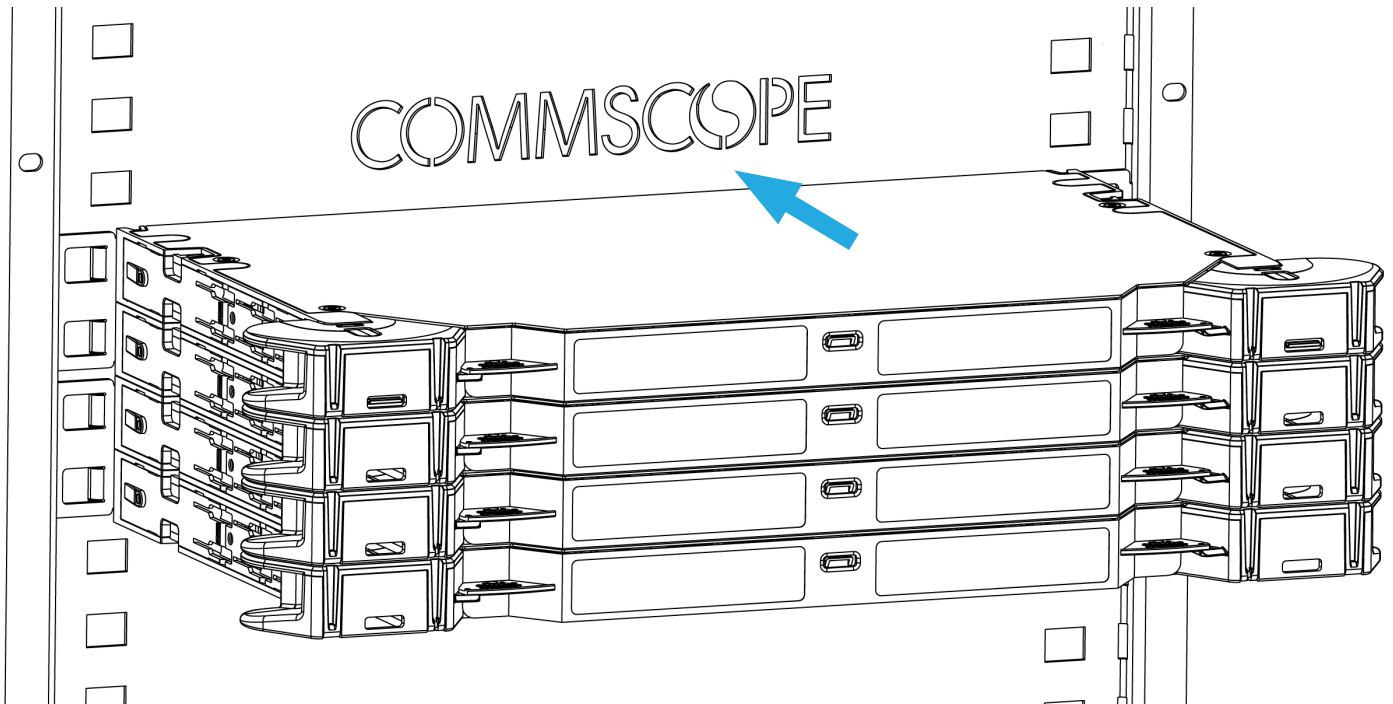


**Step 1:** Prepare the rack with the brackets on the position where you want to install the FACT Chassis (by sliding them in).



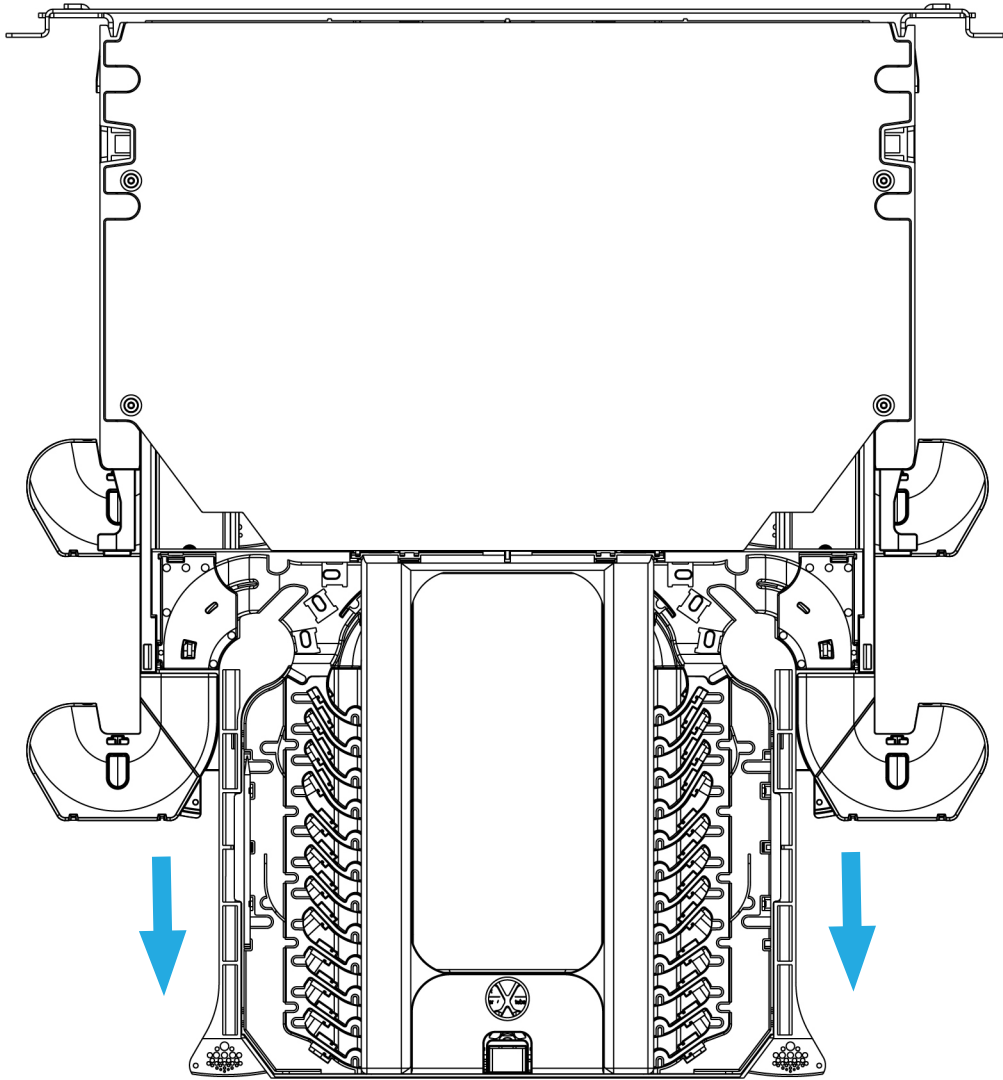
**Step 2:** Align the FACT Chassis with the brackets on both sides.

## 4. Mounting FACT Chassis in Rack



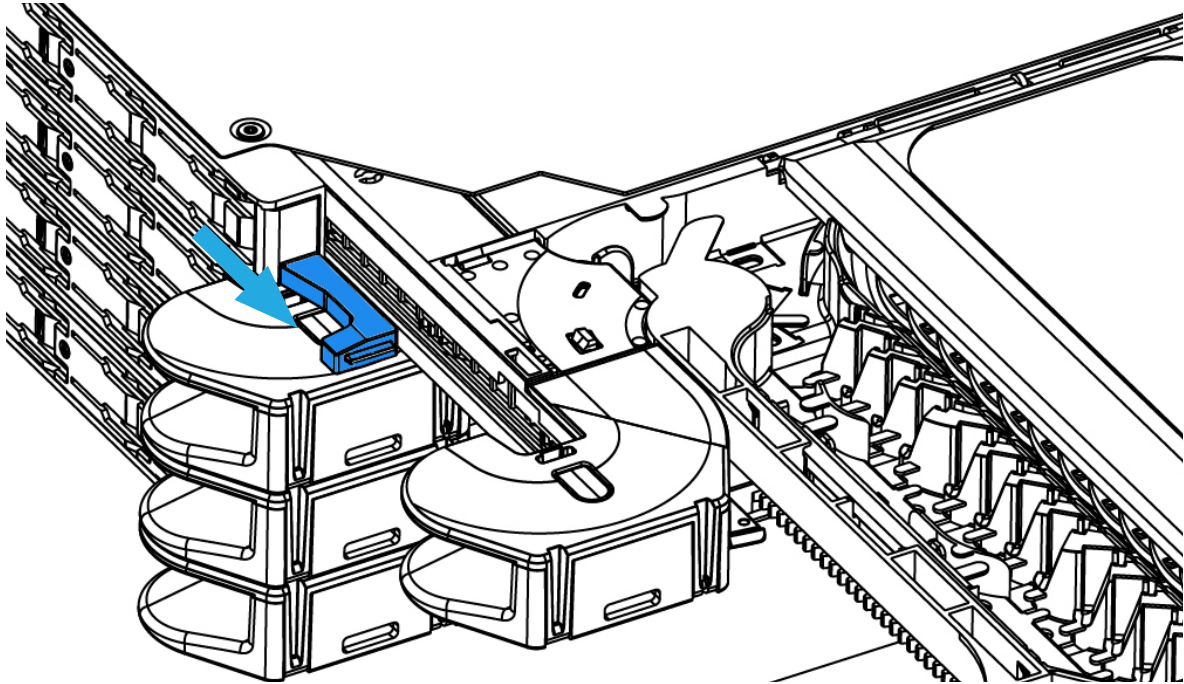
**Step 3:** Slide the FACT Chassis into the brackets until you hear a “clicking noise”..

## 5. Dismounting FACT Chassis

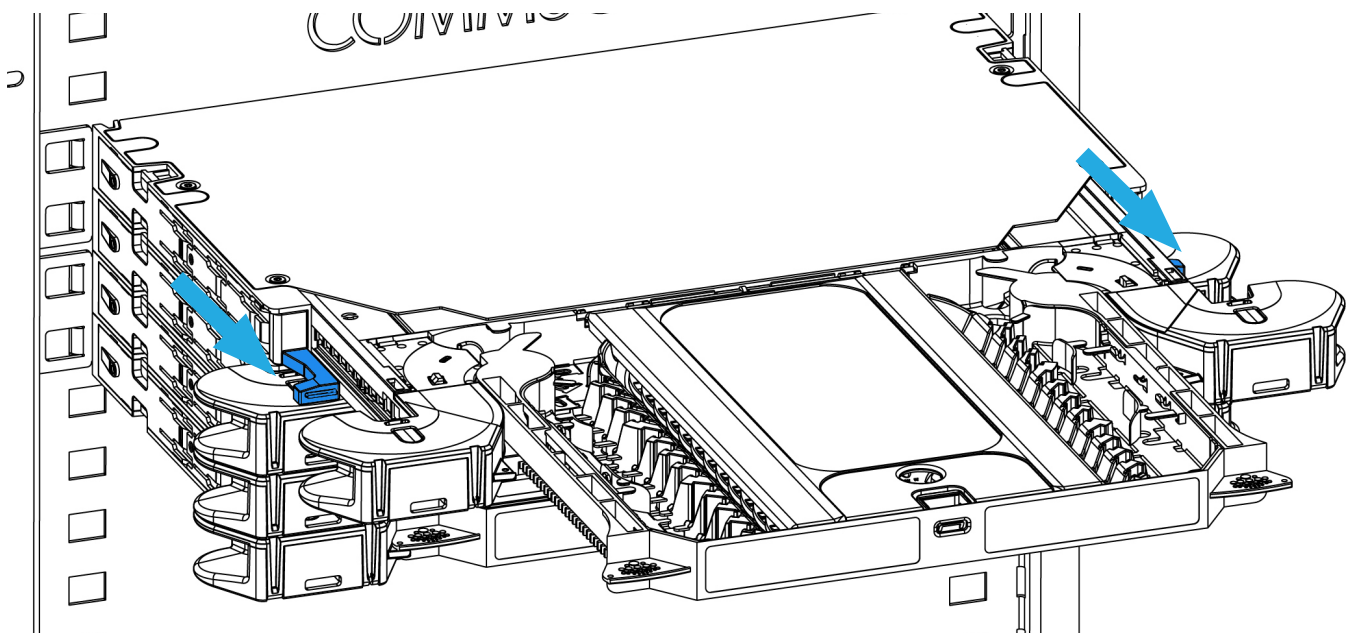


**Step 1:** Open the upper drawer (releasable). This one is marked at the front (blue marking at the bend control).

## 5. Dismounting FACT Chassis

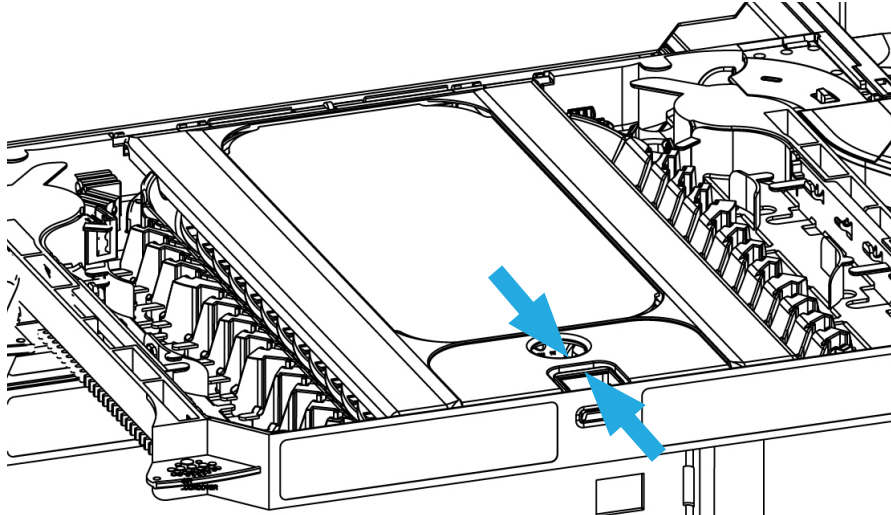


**Step 2:** Pull the blue puller locks (make sure both sides are in the unlocked position).

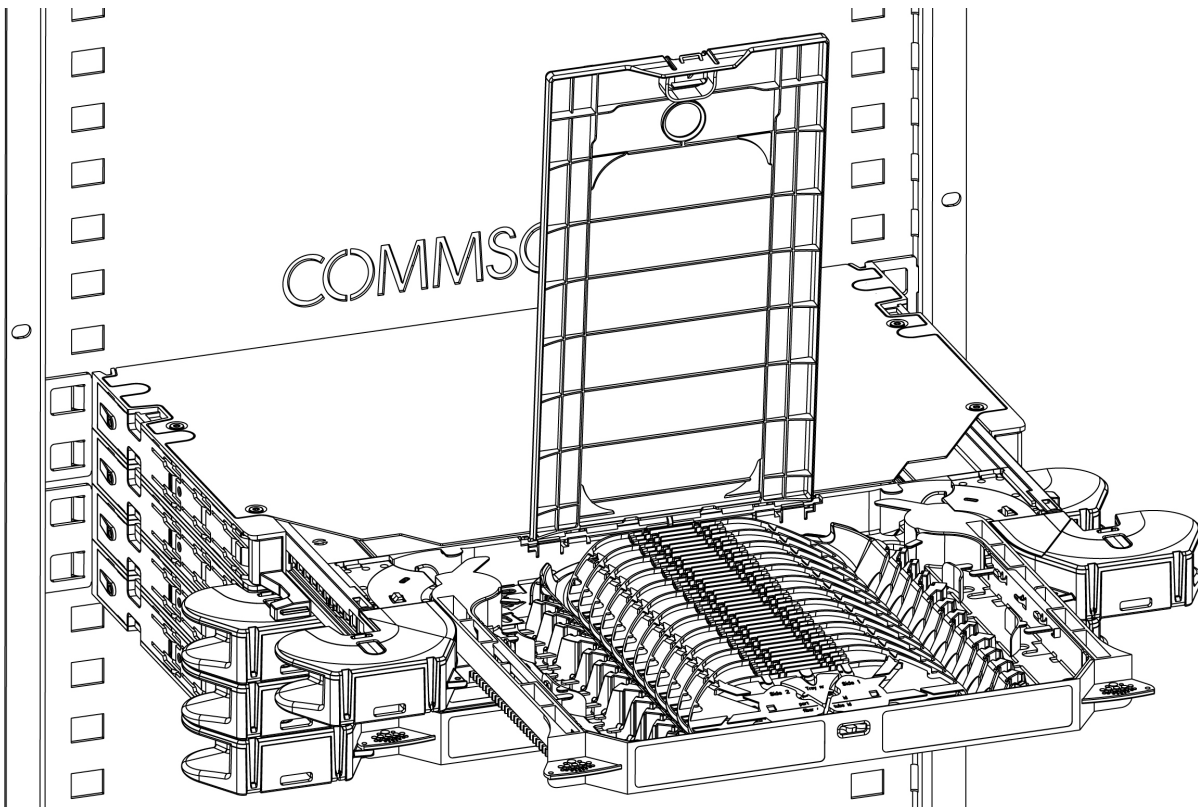


**Step 3:** Slowly slide the FACT Chassis out (pull simultaneously on both sides, with both hands).

## 6. Opening the Cover

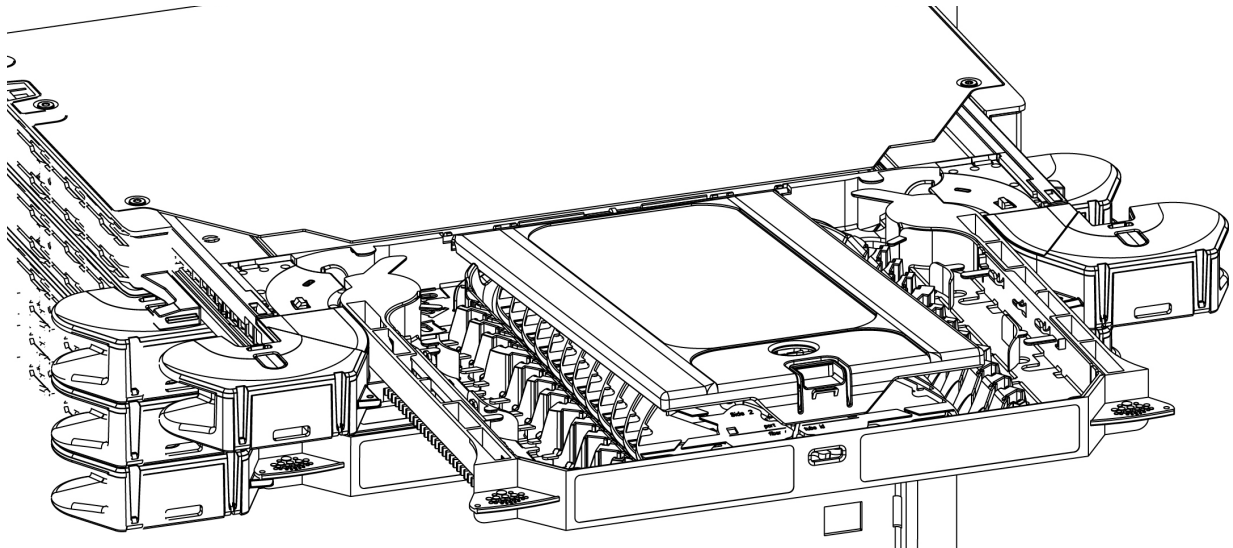


**Step 1:** Apply some force (pinching together in the direction of the arrows) to unlock the cover. Rotate the cover upwards to open it.

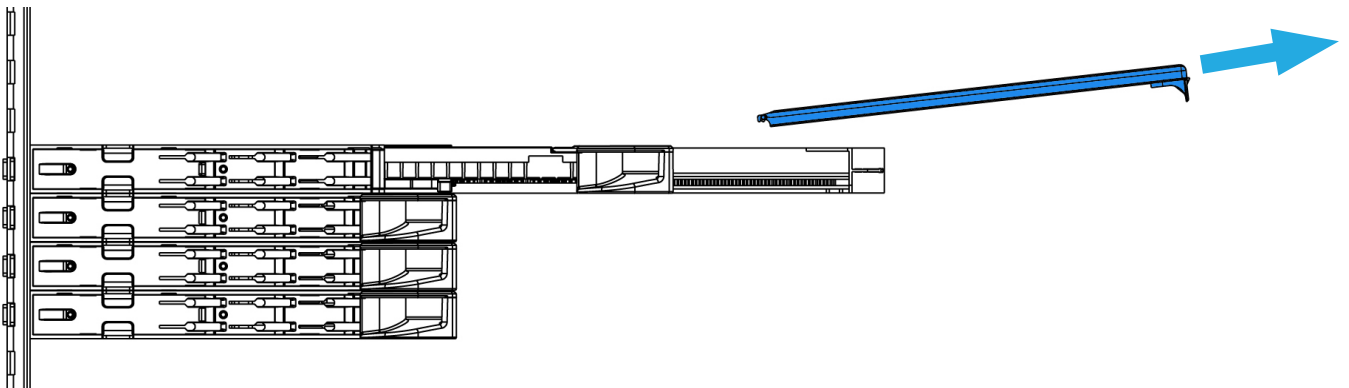


**Step 2:** The cover will stay in the open position if this is rotated about 85°.

## 7. Removing the Cover



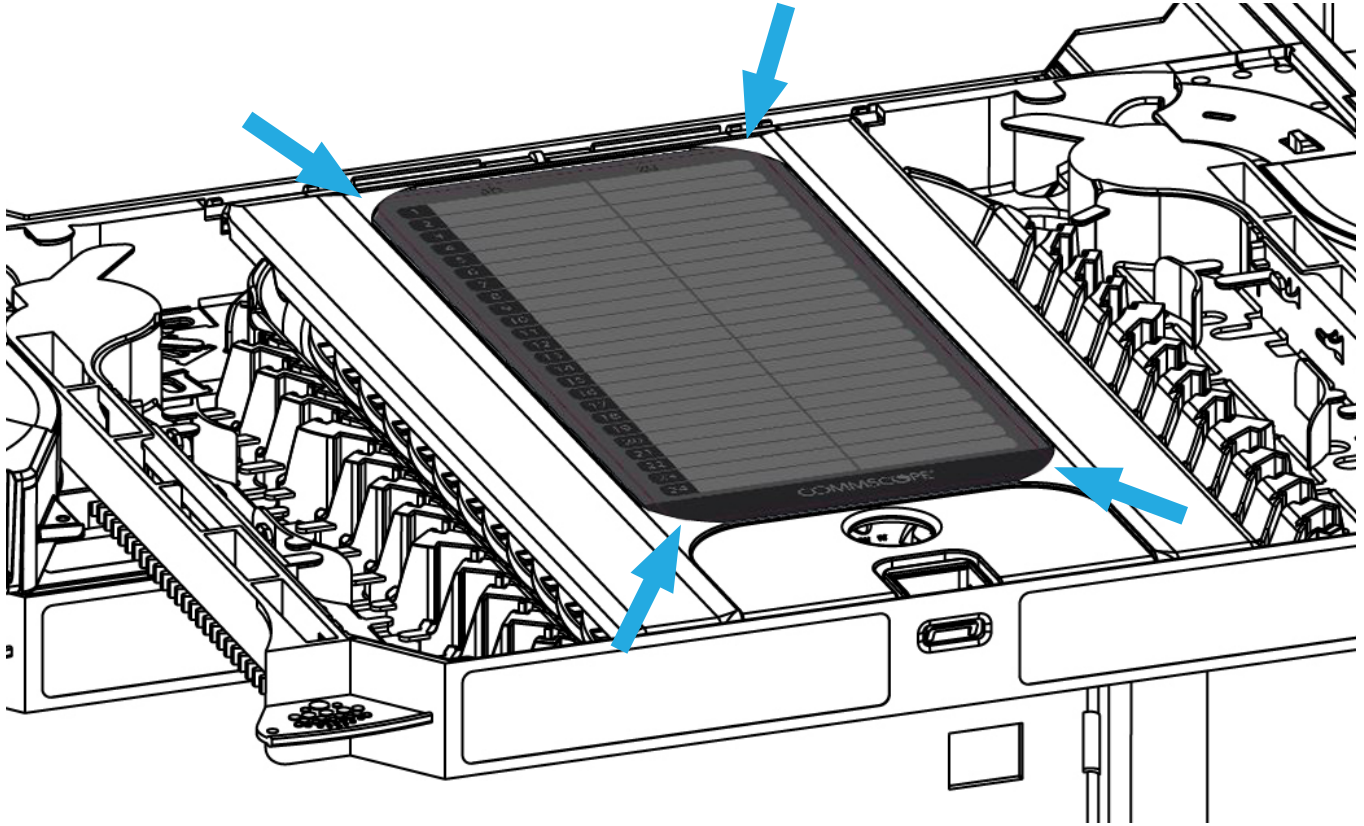
**Step 1:** To remove the cover, rotate the cover about 10° upwards.



**Step 2:** Pull the cover in the 10° angle towards the front. The cover will pop out of the hinge.  
To re-assemble the cover, repeat the 2 previous steps the other way around.

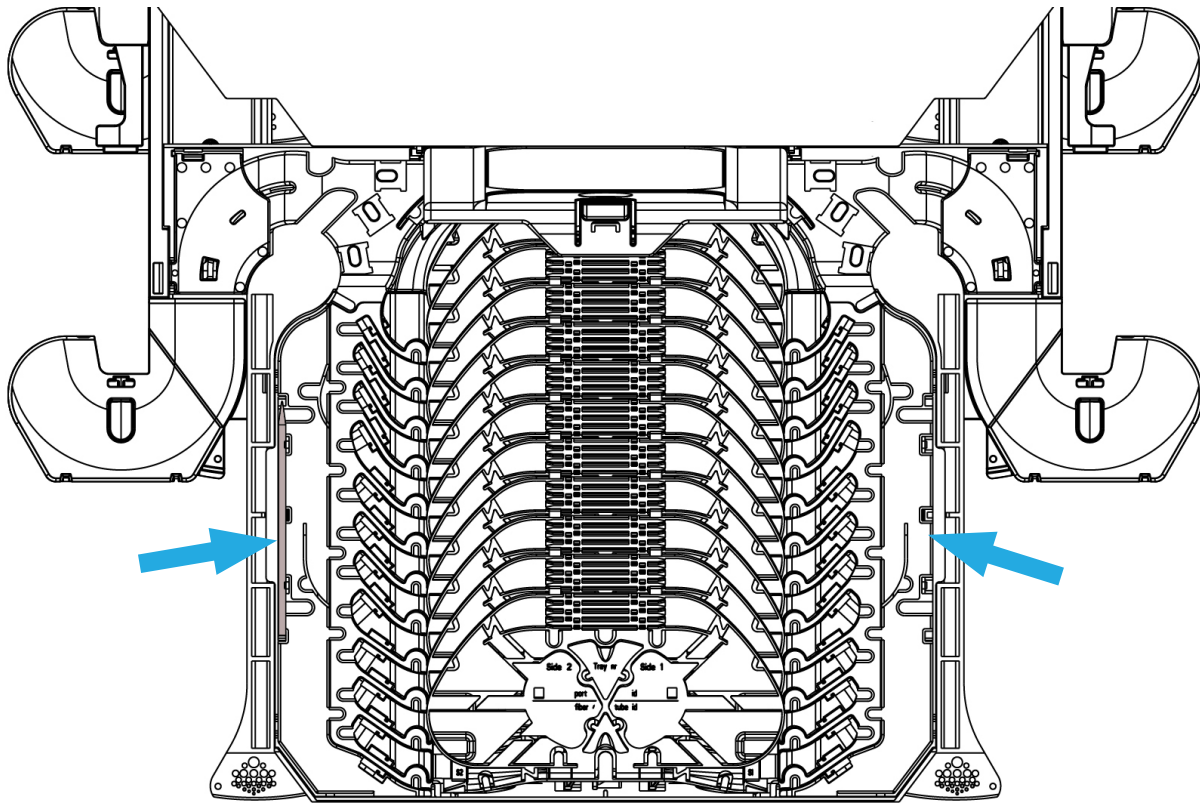


## 8. Handling the Label

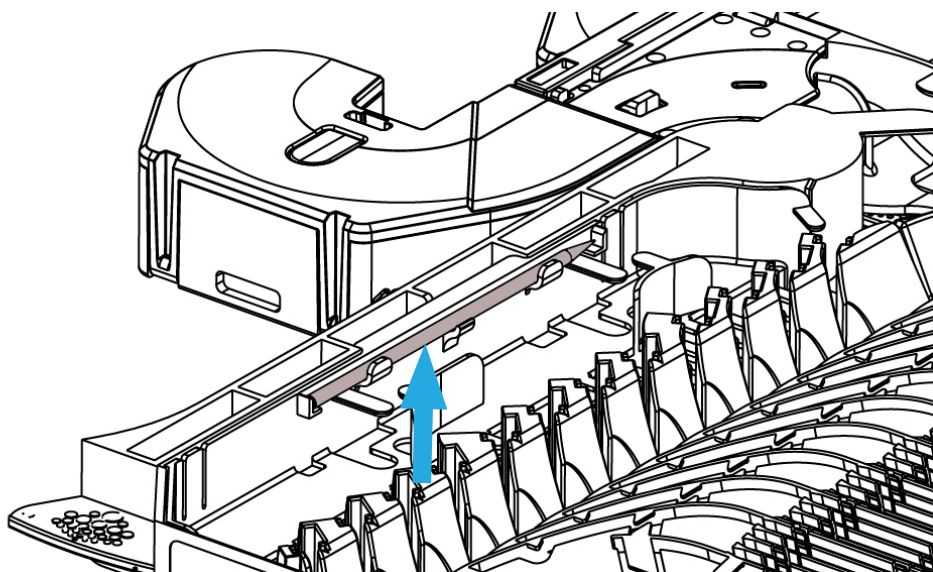


Notes can be made on the label when the cover is closed (this acts as a support). The label can also be removed if preferred. It is held in place in the four corners. Simply slide it out of the four corners to remove.

## 9. Handling the Fiber Picker



The fiber picker is located on the left or right (as indicated by the arrows). To remove it, simply pull it upwards until it releases from the snapping features.





## 10. Trade-marks:

All trademarks identified by ® or ™ are registered trademarks or trademarks, respectively, of CommScope, Inc. This document is for planning purposes only and is not intended to modify or supplement any specifications or warranties relating to CommScope products or services. CommScope is committed to the highest standards of business integrity and environmental sustainability, with a number of CommScope's facilities across the globe certified in accordance with international standards, including ISO9001, TL 9000, and ISO 14001. Further information regarding CommScope's commitment can be found at:

[www.commscope.com/About-Us/Corporate-Responsibilityand-Sustainability](http://www.commscope.com/About-Us/Corporate-Responsibilityand-Sustainability).

## 11. Contact Information:

Visit our website or contact your local CommScope representative for more information.

For technical assistance, customer service, or to report any missing/damaged parts, visit us at:

<http://www.commscope.com/SupportCenter>

This product is covered by one or more U.S. patents or their foreign equivalents. For patents, see

[www.commscope.com/ProductPatent/ProductPatent.aspx](http://www.commscope.com/ProductPatent/ProductPatent.aspx)

© 2020 Commscope,  
Inc. All Rights Reserved