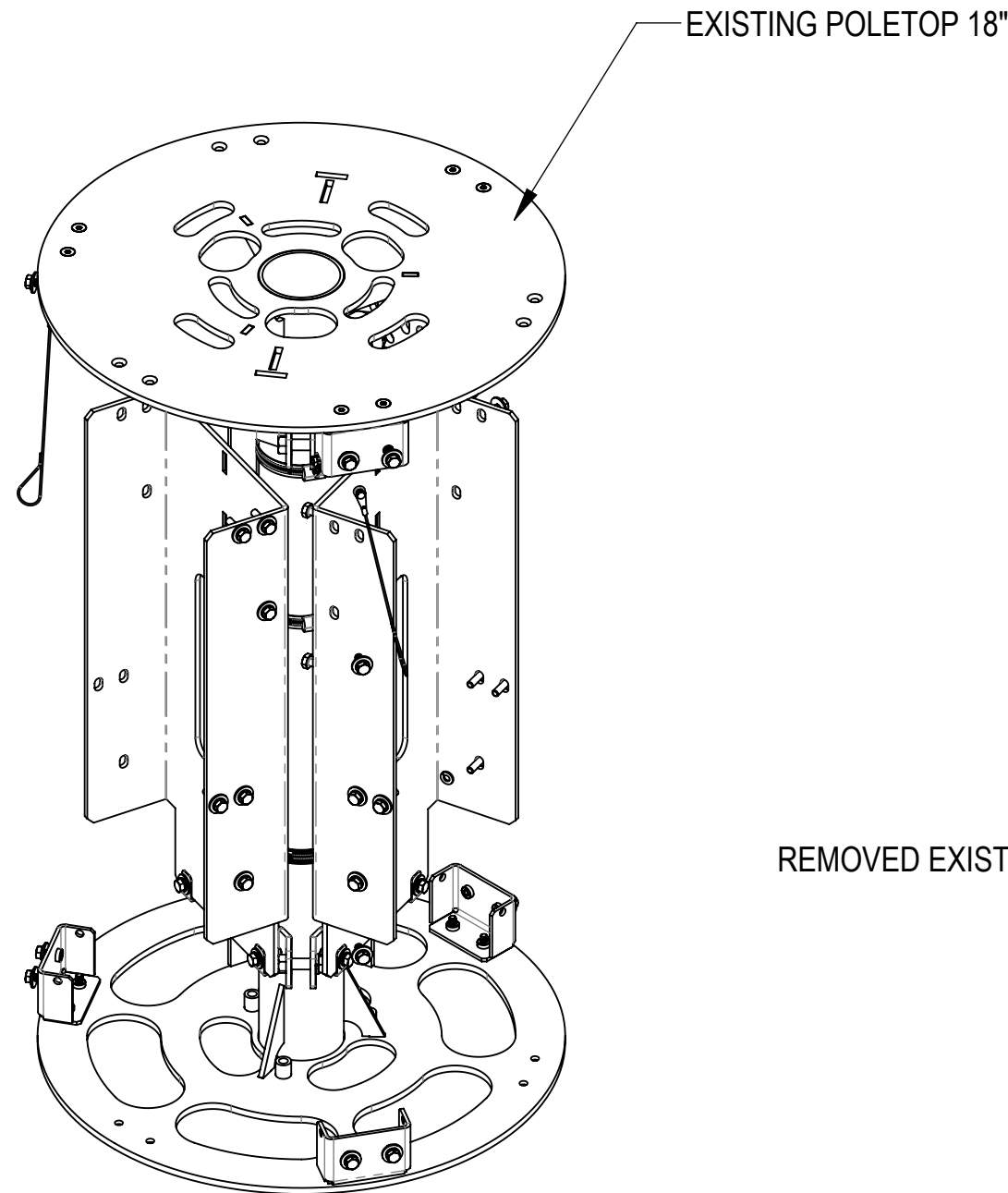


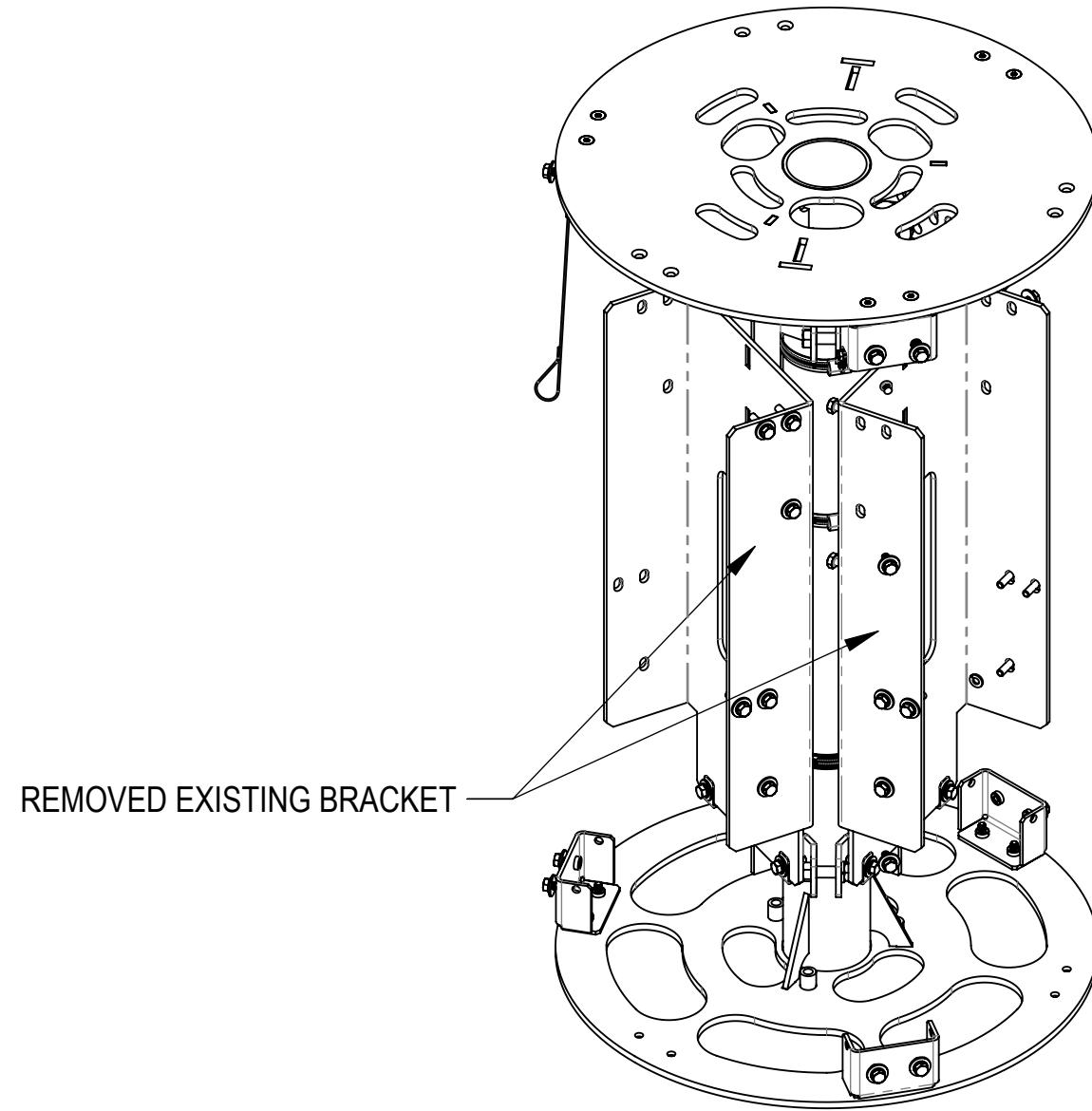
- 1.0 GENERAL NOTES
  - 1.1 NO TOLERANCES
- 2.0 DESIGN NOTES
  - 2.1 THIS DOCUMENT IS FOR THE INSTALLATION OF AWHQN NOKIA RADIO AND THE POWER SUPPLY UNIT
- 3.0 MANUFACTURING/SPECIAL REQUIREMENTS
  - 3.1 DISCARD ANY UNUSED HARDWARE
- 4.0 TEST
- 5.0 PACKAGING

# POLETOP 18" 860664823-AMK-002 INSTALLATION INSTRUCTIONS

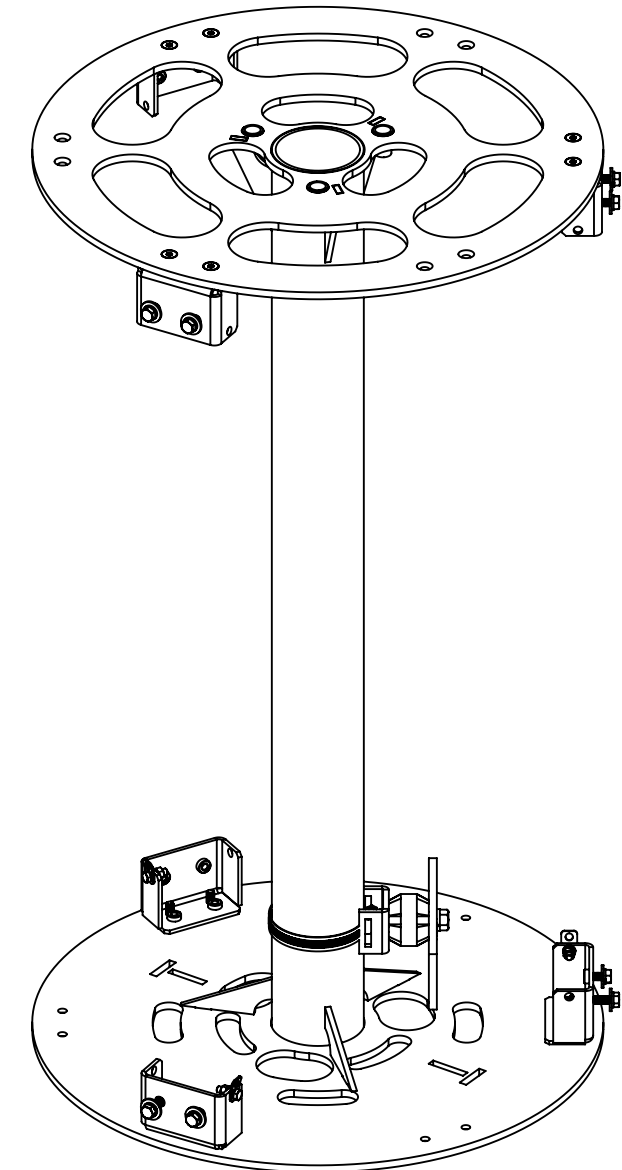
REVISIONS			
REV.	DESCRIPTION	DATE	APPROVED
A	INITIAL RELEASE	MS1288 27MAY22	AK1101 40149083CMO



**STEP 1**  
• REMOVE COVERS AND HARDWARE



**STEP 2**  
• REMOVE OLD BRACKETS AND HARDWARE



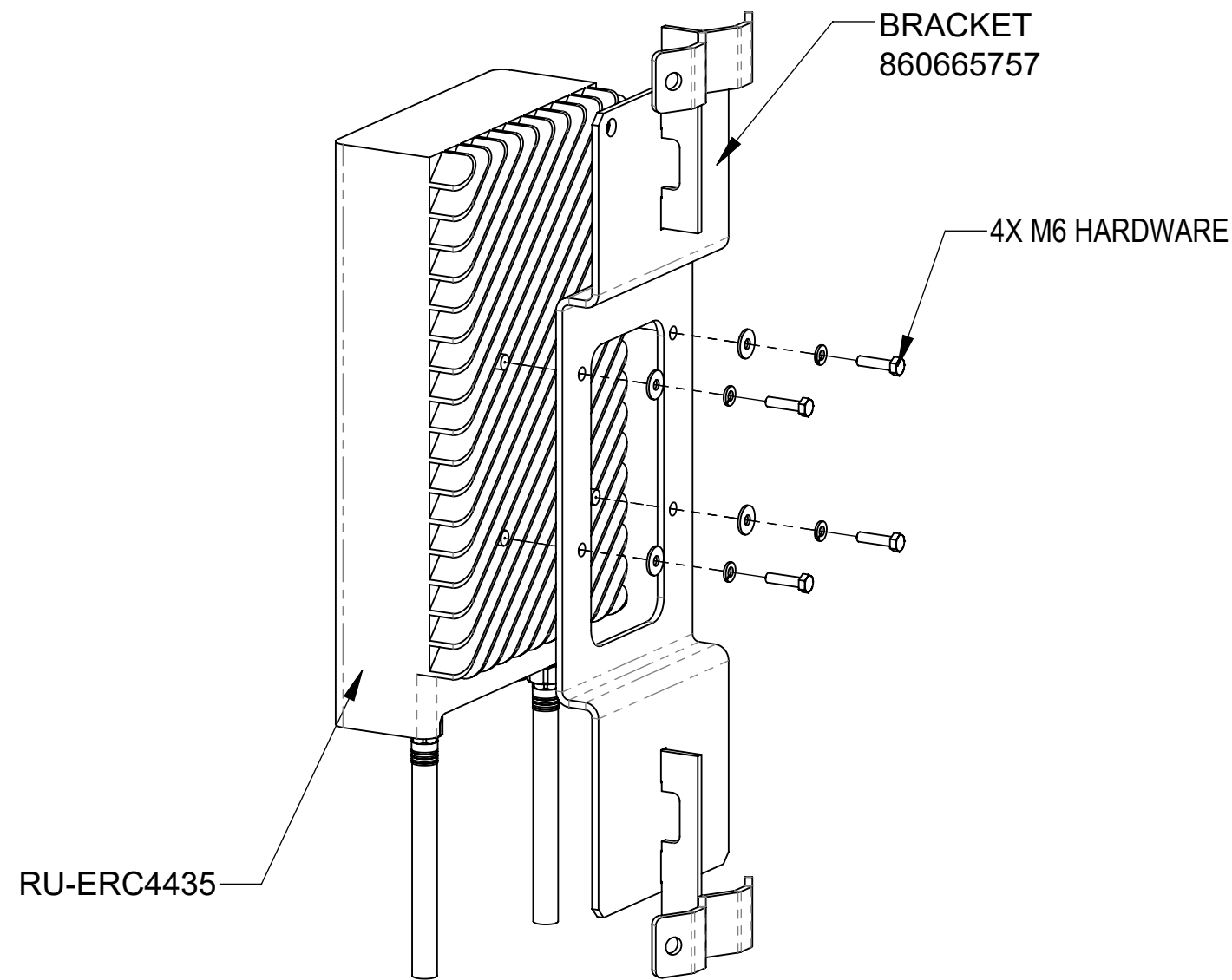
**STEP 3**  
• POLETOP 18" AFTER REMOVING OLD BRACKETS

ITEM NO	PART NUMBER	DESCRIPTION	QTY
1	SSC-760233122E10X	18" PT E1 CONFIG	1
2	860664823-AMK-002	PT18,AMK,4435/RAYCAP,BRACKET-KIT	1

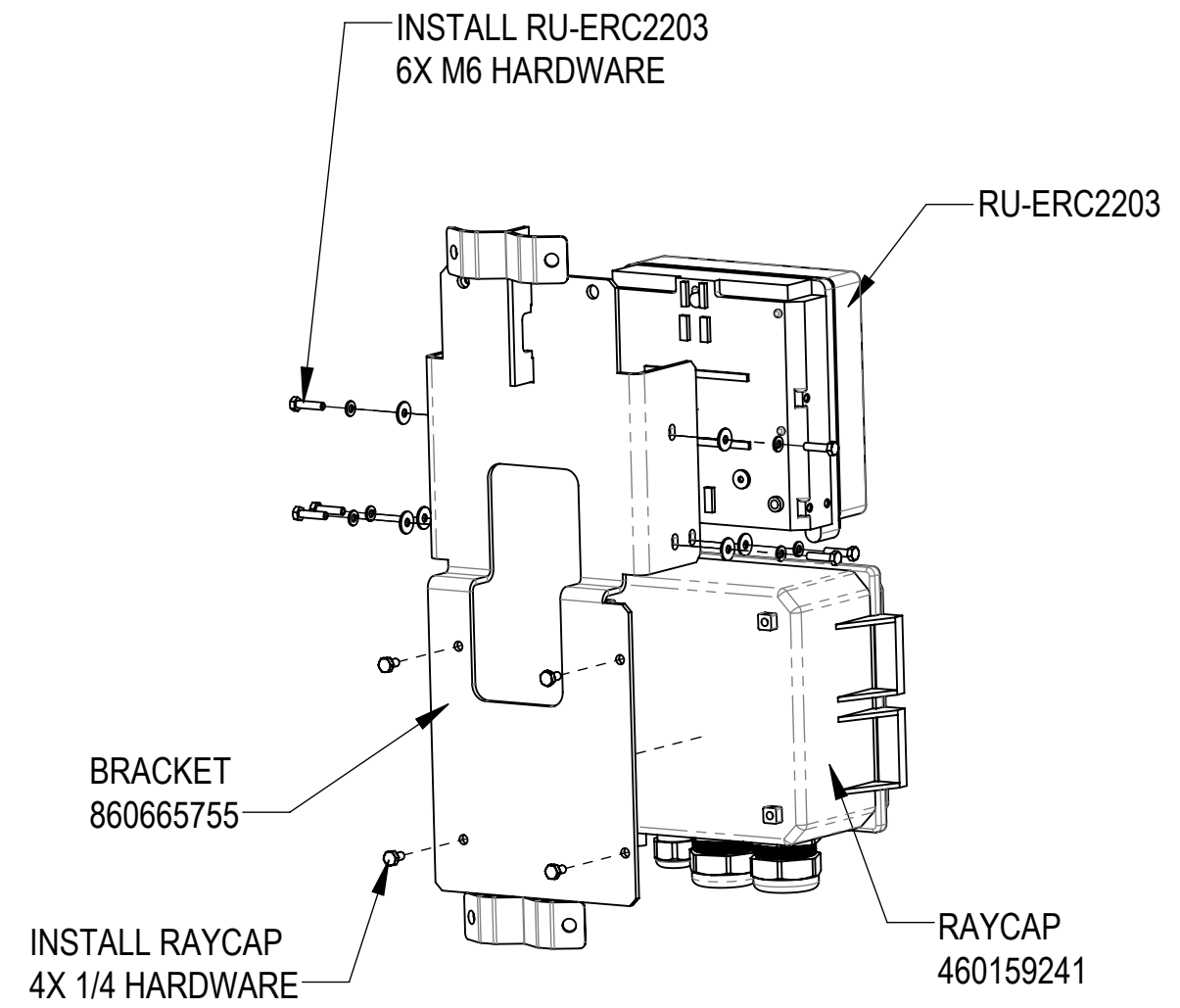
DENSITY		lbs/in <sup>3</sup>	
MASS	98.59	lbs	
VOLUME	1270.90	in <sup>3</sup>	
SURFACE AREA		in <sup>2</sup>	
HEIGHT	31.75 IN		
LENGTH	18.24 IN		
WIDTH	18.24 IN		

COMMSCOPE, INC. OF NORTH CAROLINA									
TOLERANCES					SAP MATERIAL MASTER				
1 PLACE .X[X] ± N/A			3 PLACE .XXX[X] ±		2 PLACE .XX[X] ±			ANGLES ±	
FINISH					MATERIAL				
N/A					N/A				
UNLESS OTHERWISE SPECIFIED DIMENSIONS ARE IN INCHES INTERPRET PER ANSI Y 14.5M-1994	NAME	DATE	TITLE						
	CE AK1101	19MAY22	PT18,AMK,4435/RAYCAP,BRACKET-INSTALL						
	RW AK1101	06/14/2022							
	AD RW1043	06/14/2022							
	RE AK1101	06/14/2022							
ECN 40149083CMO									
SCALE		DOCUMENT NO.							
1:8		860664823-AMK-002-INSTALL							
SIZE	Auth Group	INSL	MODEL			DRAWING			
<b>C</b>			VERSION	STATUS	REVISION	VERSION	STATUS	REVISION	SHEET
			00	RE	A	00	RE	A	1 OF 3

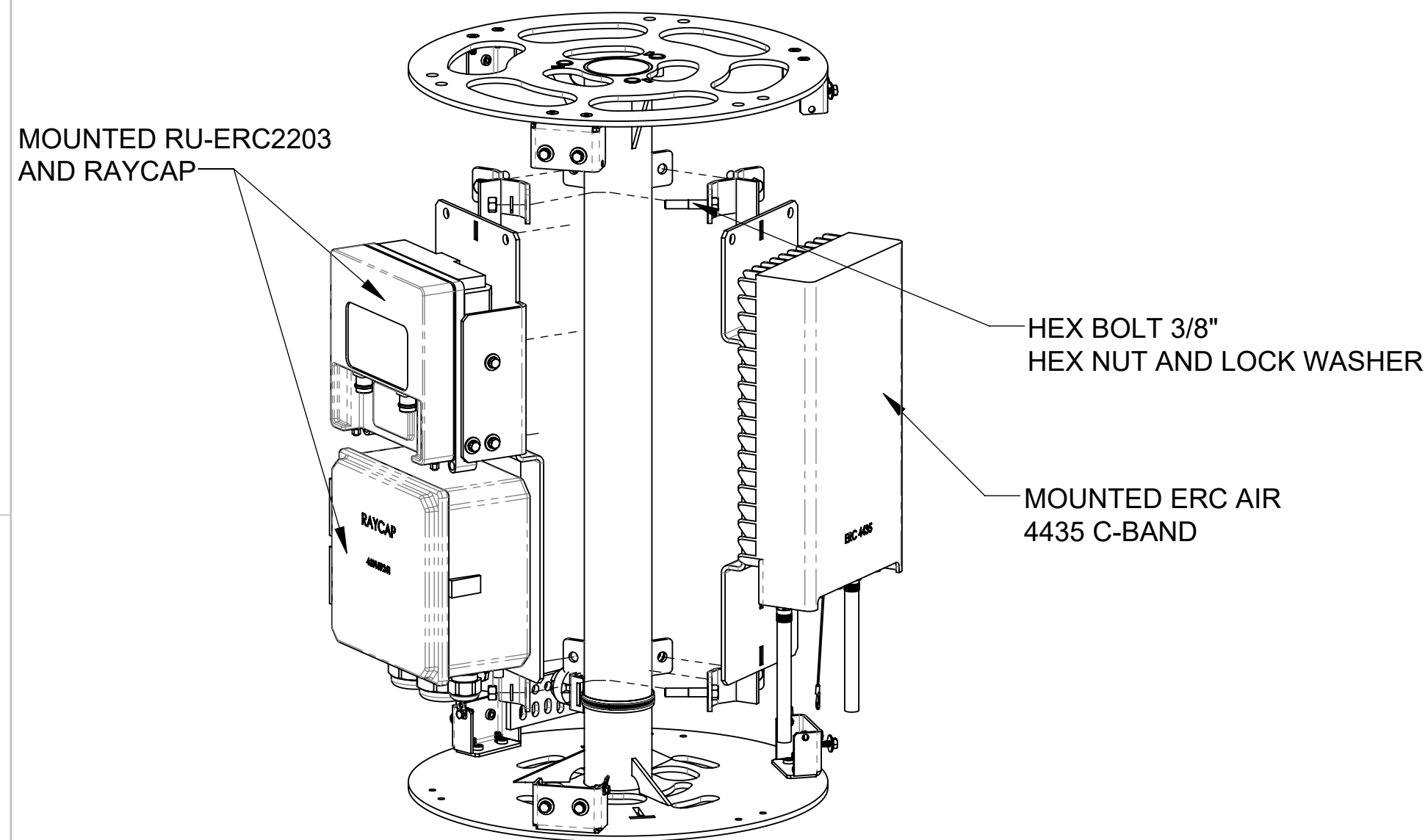
NOTES:  
 1.0 PLEASE USE THE HARDWARE PROVIDED IN THE KIT SSC-760233122E10X




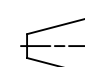
**STEP 4**  
 • INSTALL RU 4435 TO THE MOUNTING BRACKET 860665757 USING 4 SETS OF M6 HEX BOLT, LOCK AND FLAT WASHER AS SHOWN



**STEP 5**  
 • INSTALL RU-ERC2203 AND RAYCAP 460159241 TO THE MOUNTING BRACKET 860665755  
 • REUSE 6 SETS OF M6 HEX BOLT, LOCK AND FLAT WASHER FOR THE ERC2203  
 • INSTALL RAYCAP USING 4 SETS OF 1/4" HARDWARE SHOWN



**STEP 6**  
 • INSTALL MOUNTED RU-ERC4435, RU-ERC2203 & RAYCAP TO POLETOP 18" FRAME, USING 6 SETS OF HEX BOLT 3/8", LOCK WASHER AND HEX NUT AS SHOWN

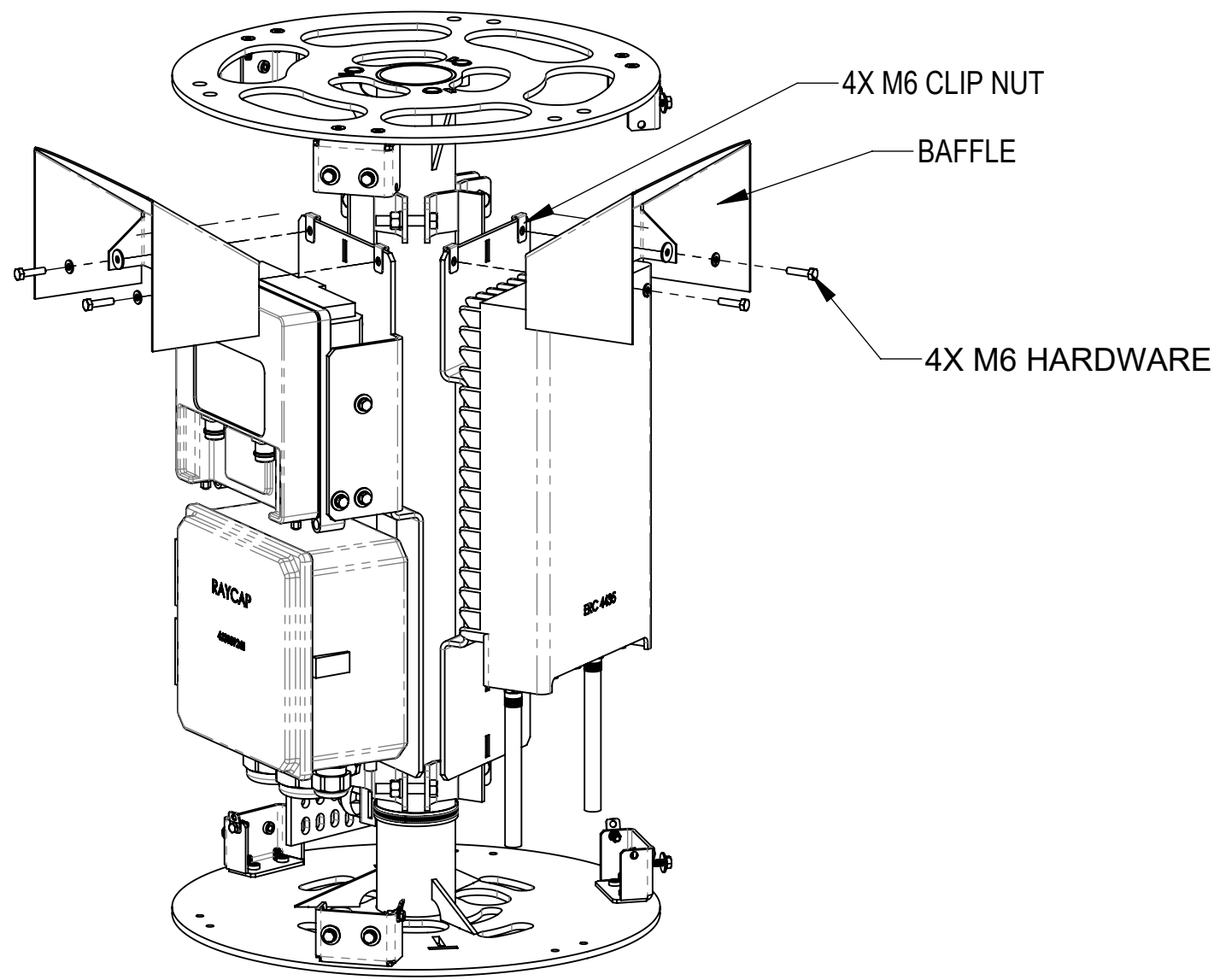
COMMSCOPE, INC. OF NORTH CAROLINA				
TITLE PT18,AMK,4435/RAYCAP,BRACKET-INSTALL				
SIZE C	SCALE 2:1	DOCUMENT NO. 860664823-AMK-002-INSTALL		
 		DRAWING		SHEET
		VERSION 00	STATUS RE	REVISION A

4

3

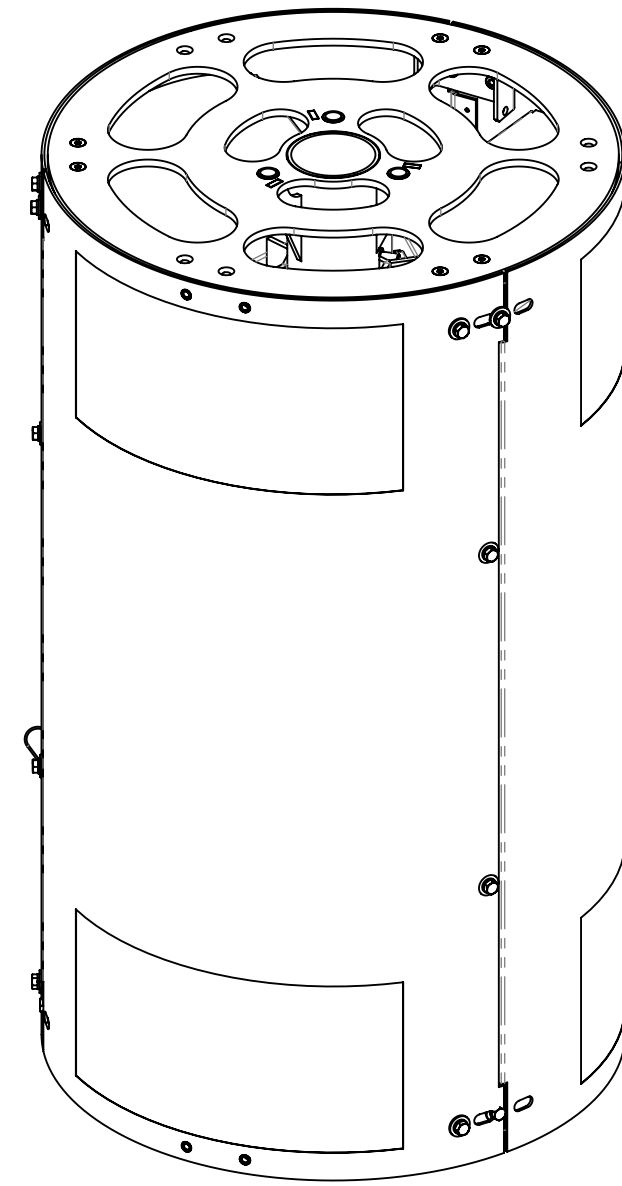
2

1



**STEP 6**

- INSTALL BAFFLE FOR 2EA TO BRACKETS 860665757 & 860665755 USING 4 SETS OF M6 HEX SCREW LOCK AND FLAT WASHER, 4EA M6 CLIP NUT AS SHOWN



**STEP 7**

- RE-INSTALL COVERS

COMMSCOPE, INC. OF NORTH CAROLINA

TITLE  
PT18,AMK,4435/RAYCAP,BRACKET-INSTALL

SIZE <b>C</b>	SCALE <b>2:1</b>	DOCUMENT NO. 860664823-AMK-002-INSTALL
------------------	---------------------	---

	DRAWING			SHEET 3 OF 3
	VERSION 00	STATUS RE	REVISION A	

4

3

2

1

D

D

C

C

B

B

A

A