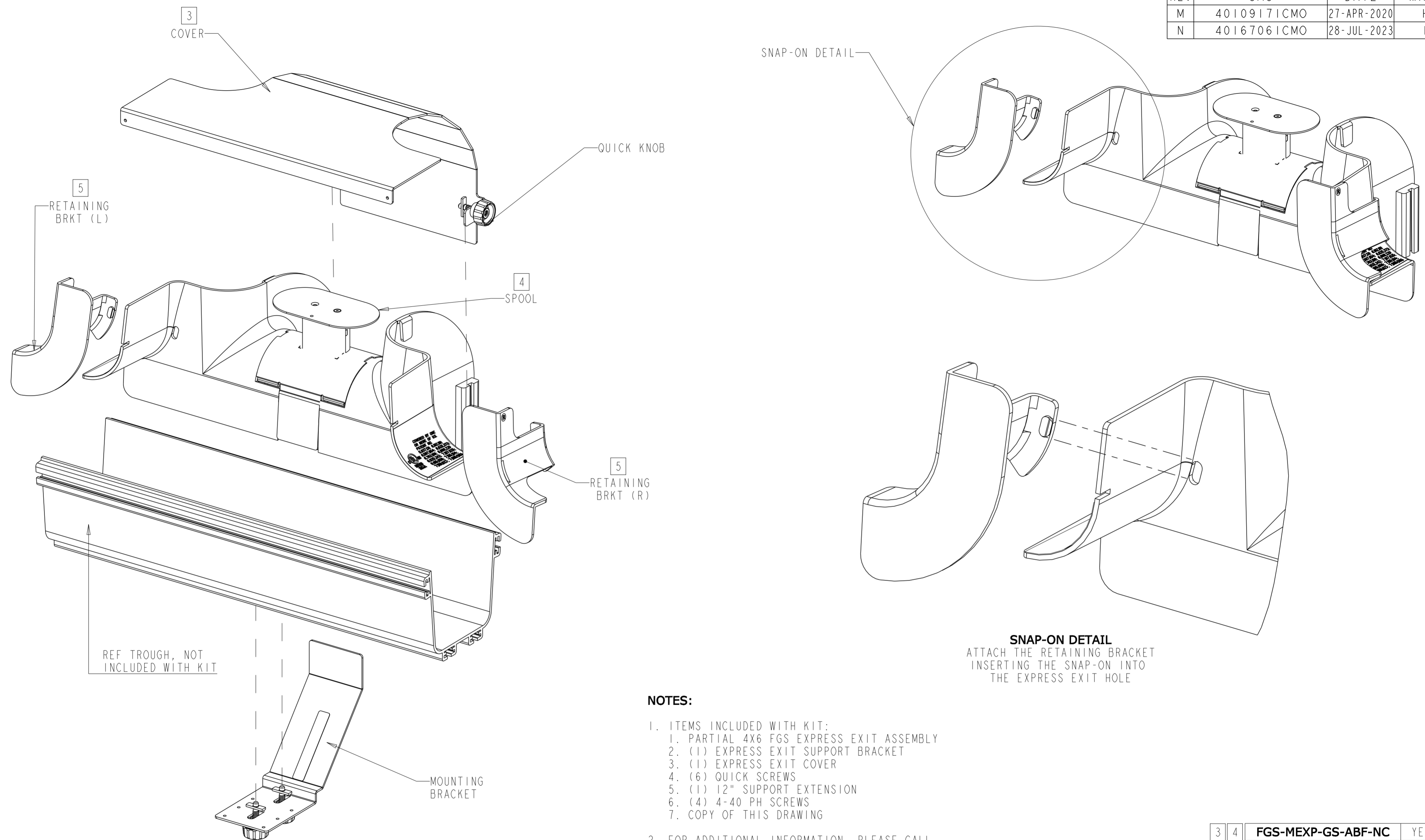


REVISIONS			
REV	CMO	DATE	APPROVED
M	40109171CMO	27-APR-2020	HGR
N	40167061CMO	28-JUL-2023	IDM



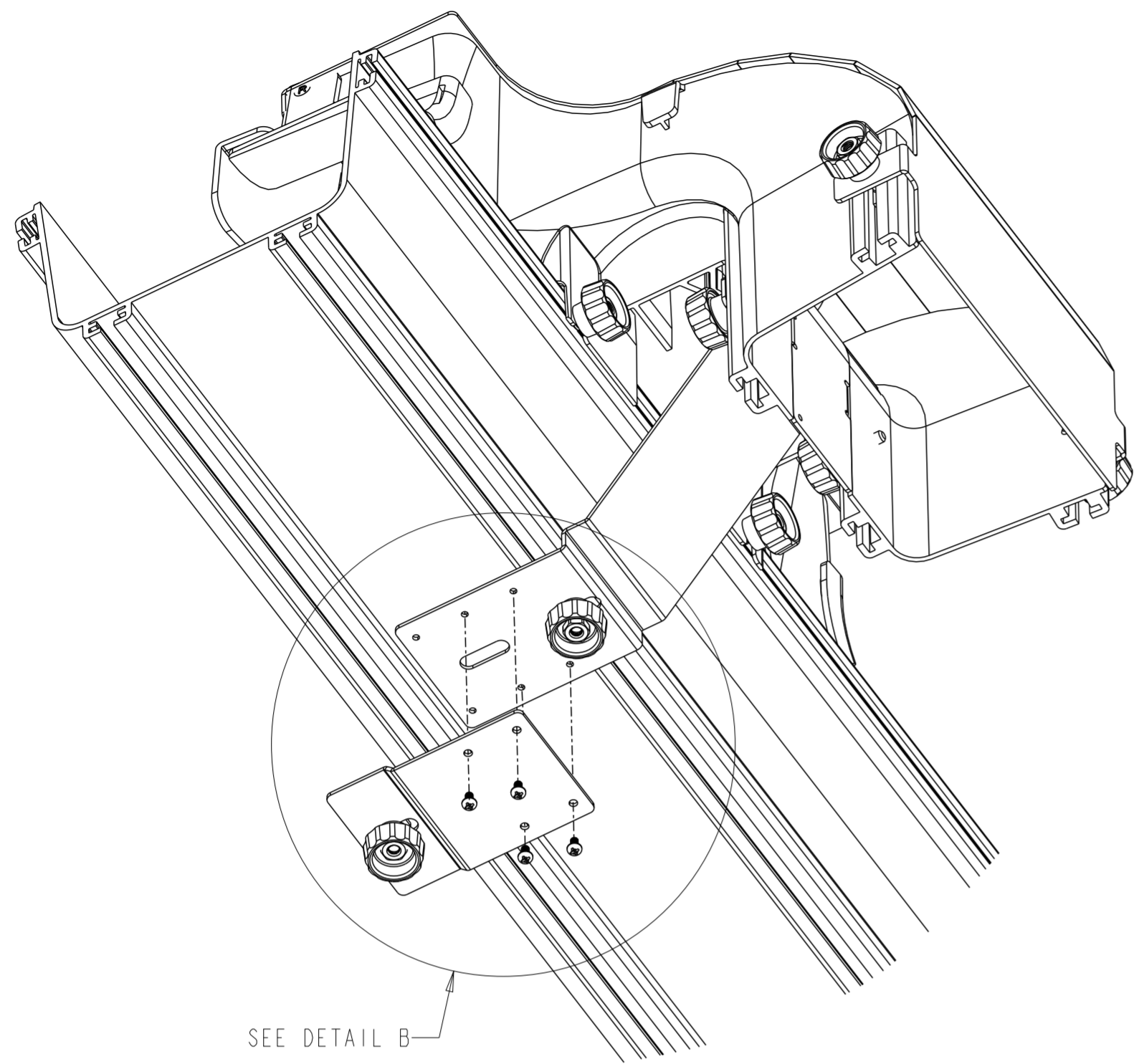
NOTES:

1. ITEMS INCLUDED WITH KIT:
 1. PARTIAL 4X6 FGS EXPRESS EXIT ASSEMBLY
 2. (1) EXPRESS EXIT SUPPORT BRACKET
 3. (1) EXPRESS EXIT COVER
 4. (6) QUICK SCREWS
 5. (1) 12" SUPPORT EXTENSION
 6. (4) 4-40 PH SCREWS
 7. COPY OF THIS DRAWING
2. FOR ADDITIONAL INFORMATION, PLEASE CALL THE COMMSCOPE PRODUCT INFORMATION CENTER AT (TOLL FREE) 1-800-366-3891.
- 3 EXPRESS EXIT COVER NOT INCLUDED AND INCLUDE 4 QUICK KNOBS FOR THIS KIT, AS CHIP ALONG AND 2 PREASSEMBLY.
- 4 SPOOL BRACKET IS INCLUDED ONLY FOR THIS KIT.
- 5 RETAINING BRKT (L),(R) IS INCLUDED ONLY FOR THIS KIT.

SNAP-ON DETAIL
ATTACH THE RETAINING BRACKET
INSERTING THE SNAP-ON INTO
THE EXPRESS EXIT HOLE

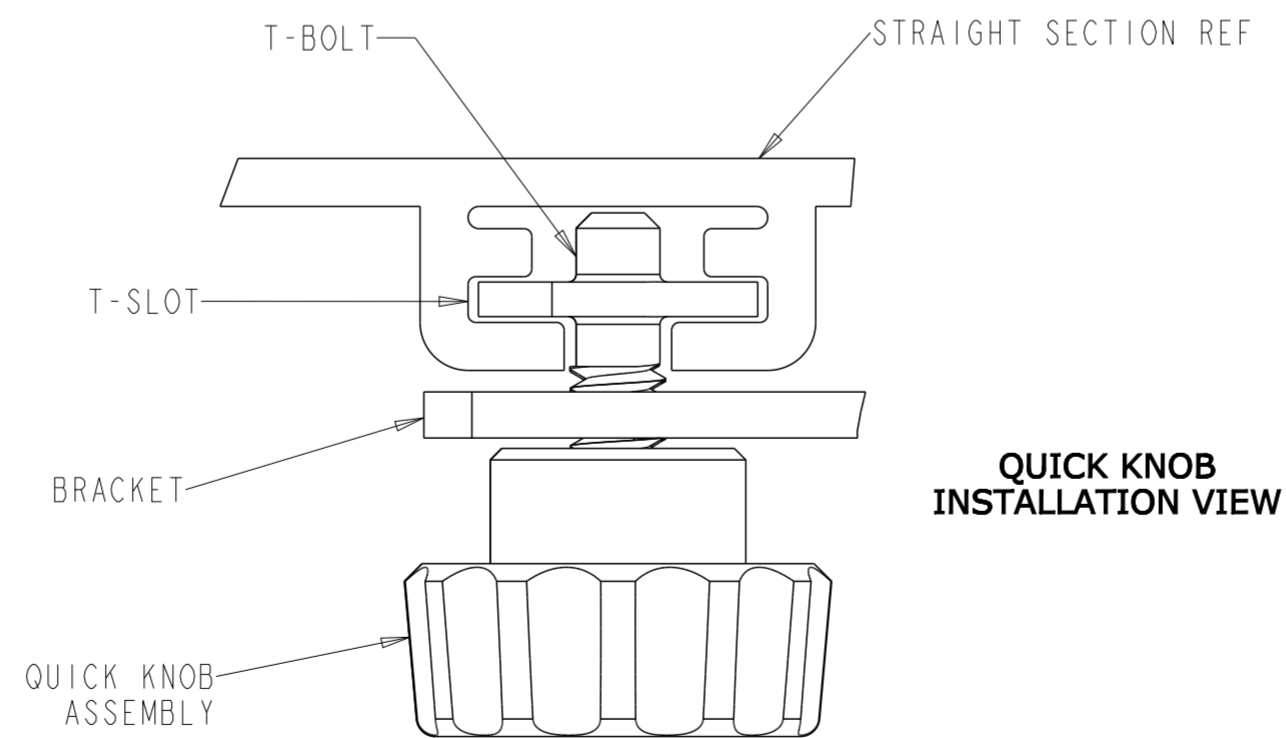
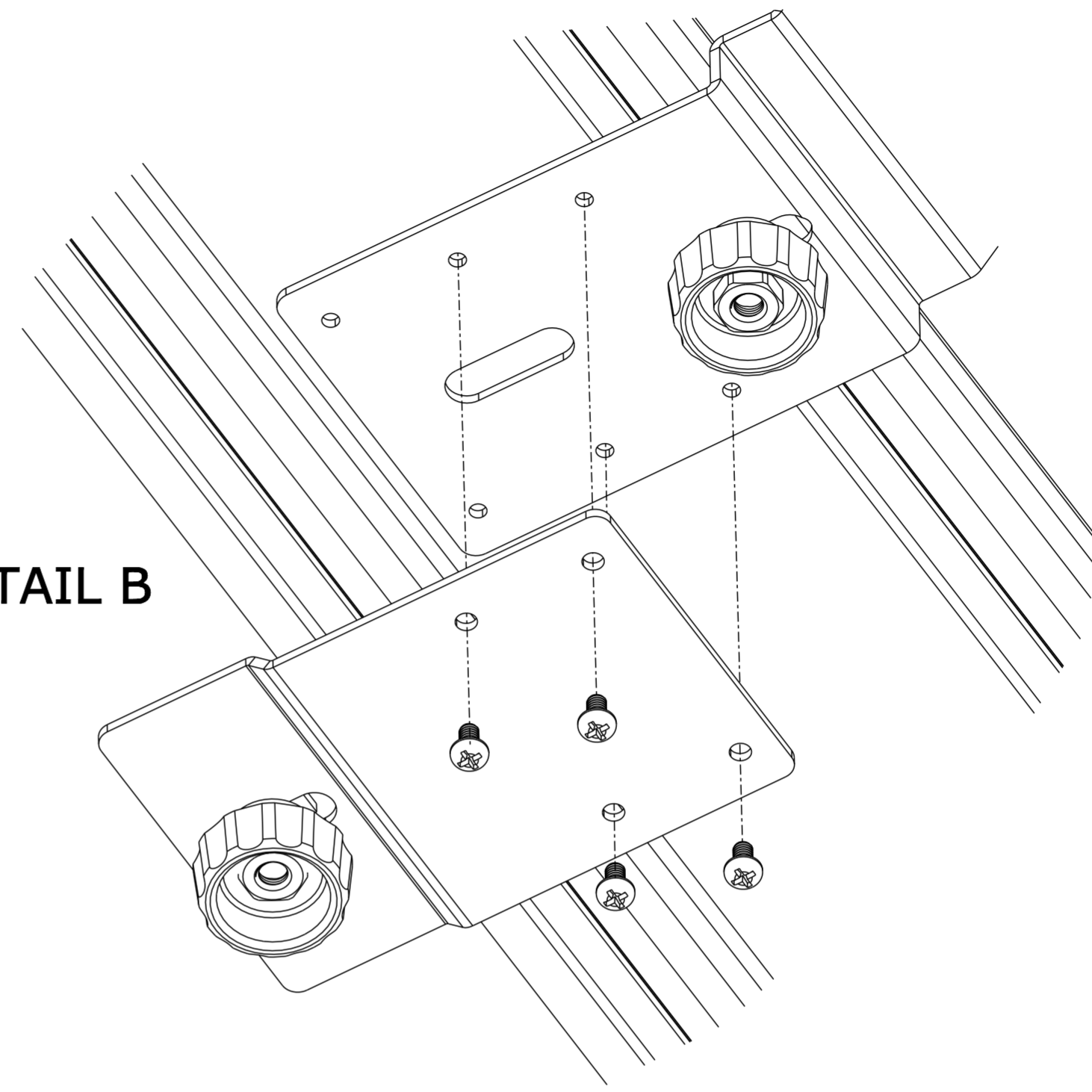
3	4	FGS-MEXP-GS-ABF-NC	YELLOW
3		FGS-MEXP-G-ABF-NC	YELLOW
		FGSB-MEXP-G-A/B/F	BLACK
5		FGS-MEXP-G-A/B/F	YELLOW
		CATALOG NUMBER	COLOR

COMMSCOPE, INC.			
DRAFTER	JOSE S. LOPEZ	TITLE	FGS 4X6 DOWN SPOUT CUST DWG
ENGINEER	RUBEN ARVILLA	SIZE	A2 0.400
		SCALE	
		DOCUMENT NO.	1266311 ADC
		CUSTOMER DRAWING	REVISION SHEET
		N	1 OF 4



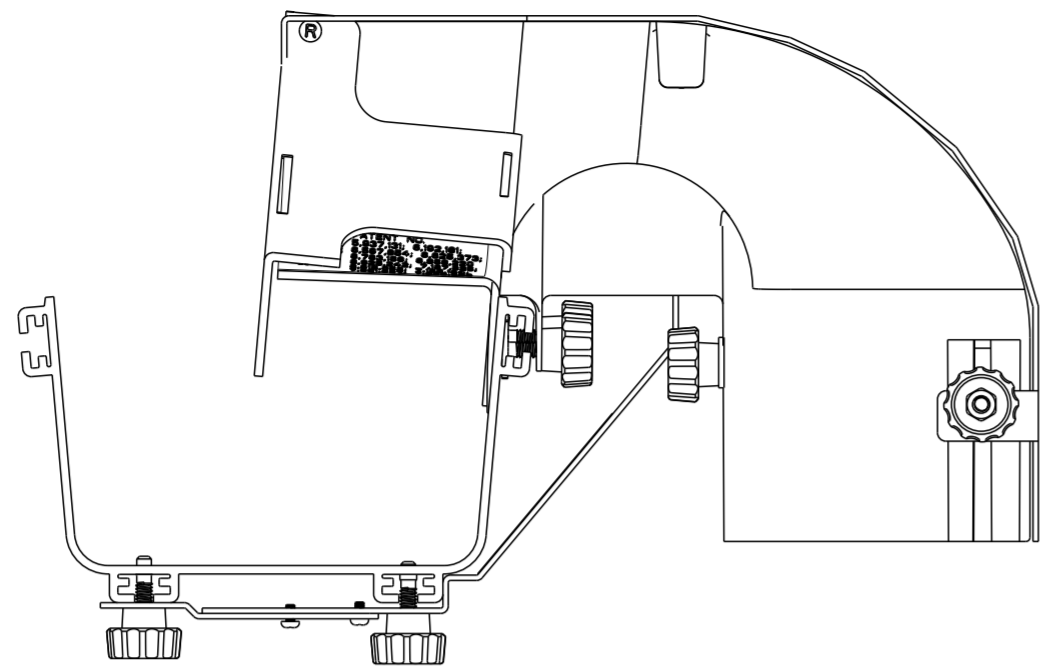
SEE DETAIL B

DETAIL B

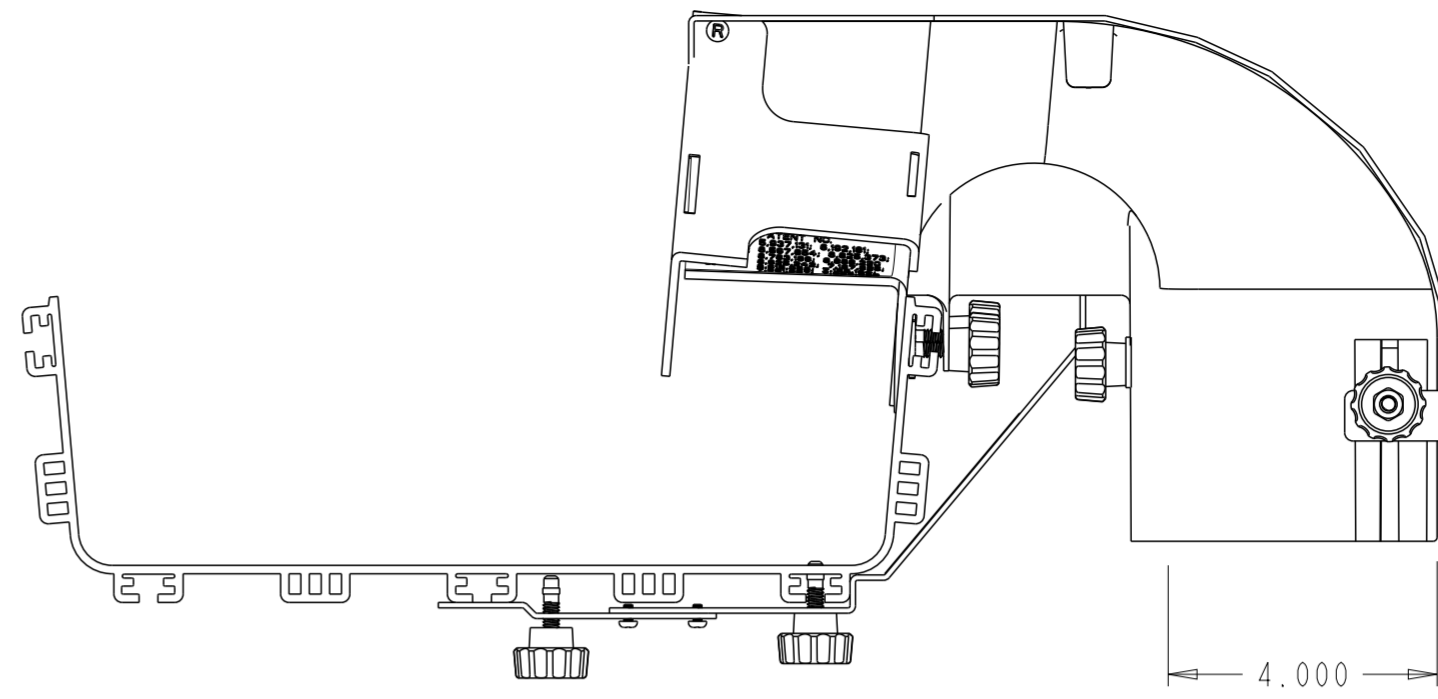


**QUICK KNOB
INSTALLATION VIEW**

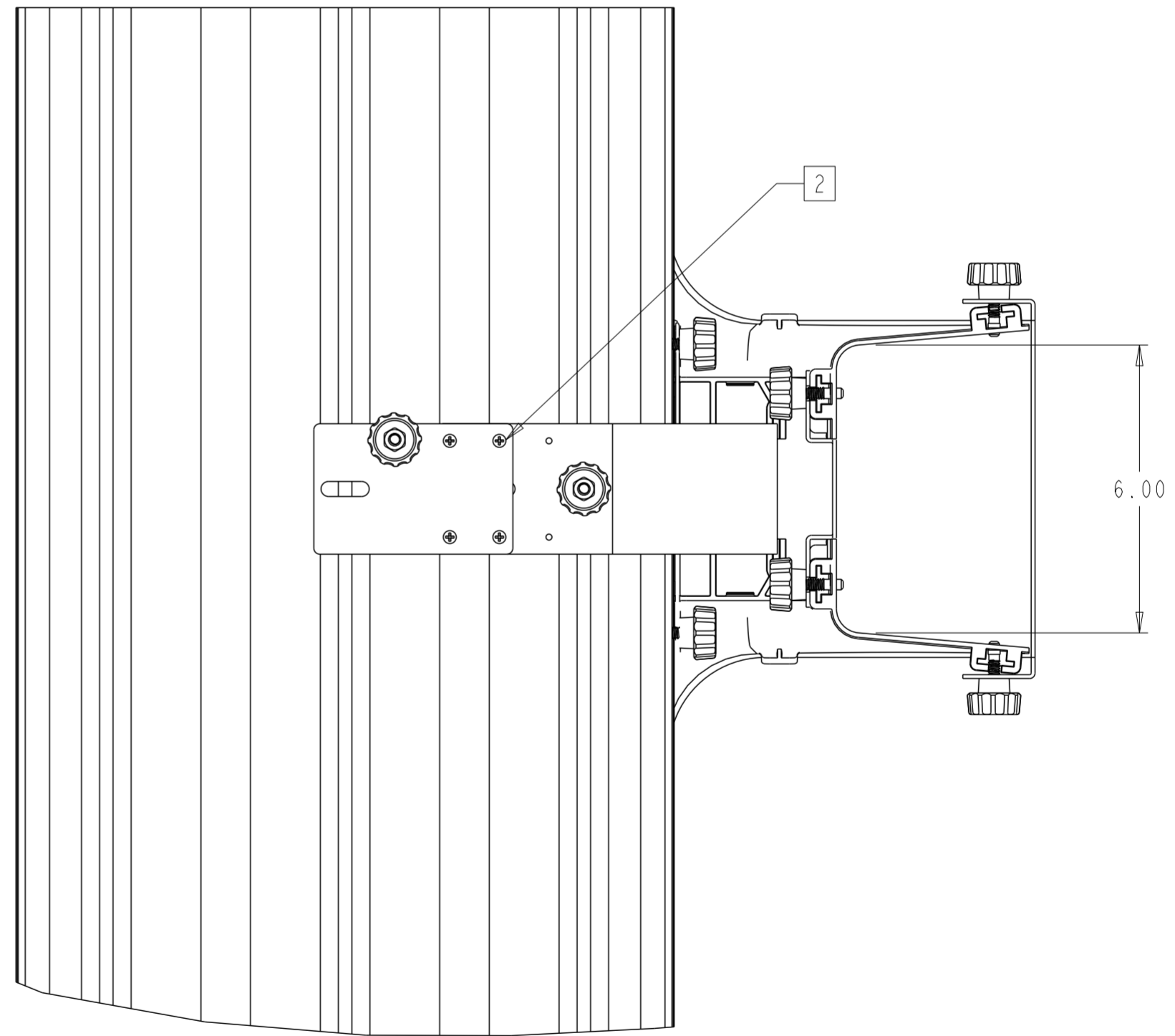
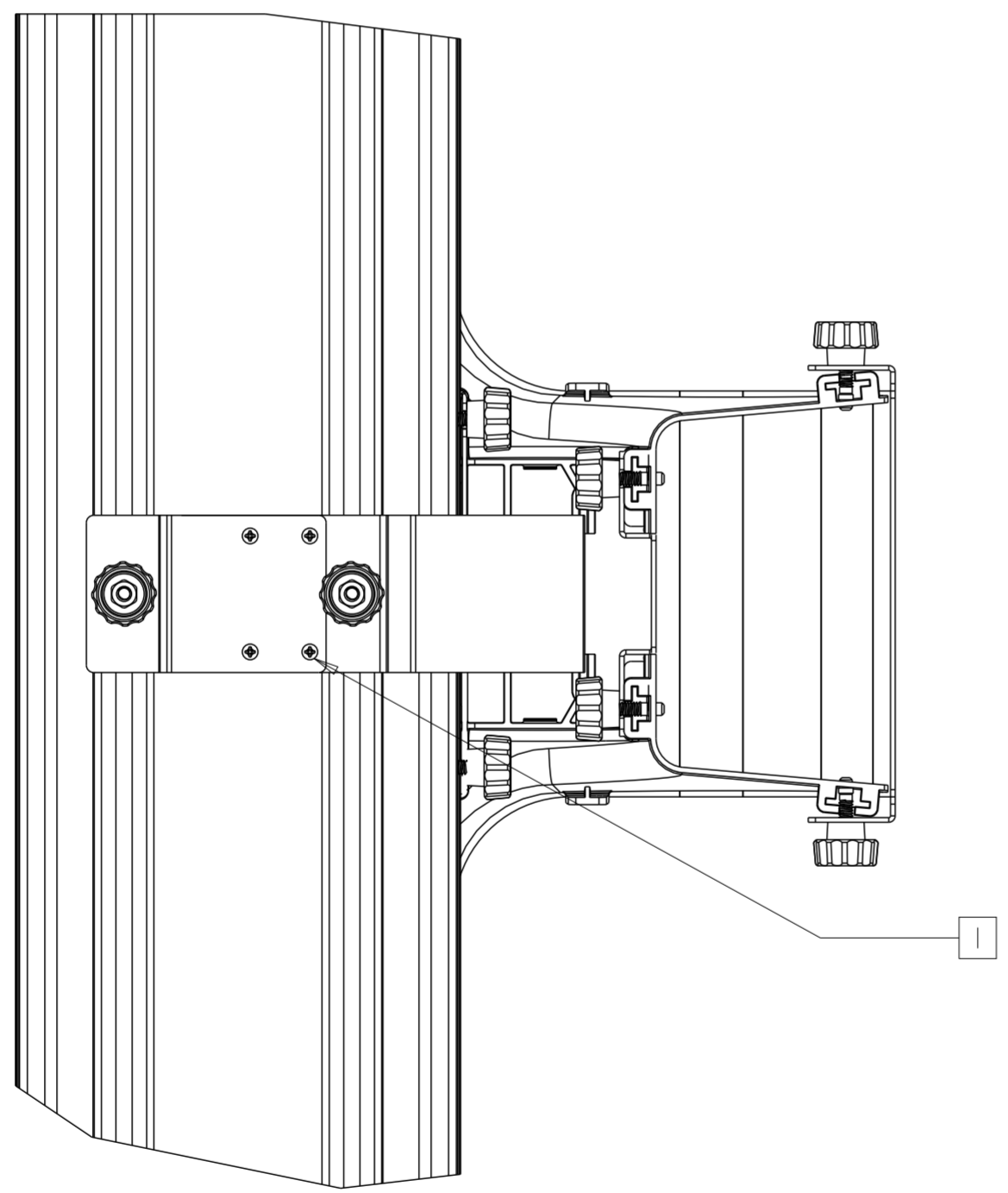
COMMSCOPE, INC.			
DRAFTER JOSE S. LOPEZ	TITLE FGS 4X6 DOWN SPOUT CUST DWG		
ENGINEER RUBEN ARVILLA	SIZE A2	SCALE 0.400	DOCUMENT NO. 1266311 ADC
CUSTOMER DRAWING			REVISION N
			SHEET 2 OF 4



4X6 EXPRESS EXIT ON
6" TROUGH
SCALE 0.350



4X6 EXPRESS EXIT ON
12" TROUGH
SCALE 0.350



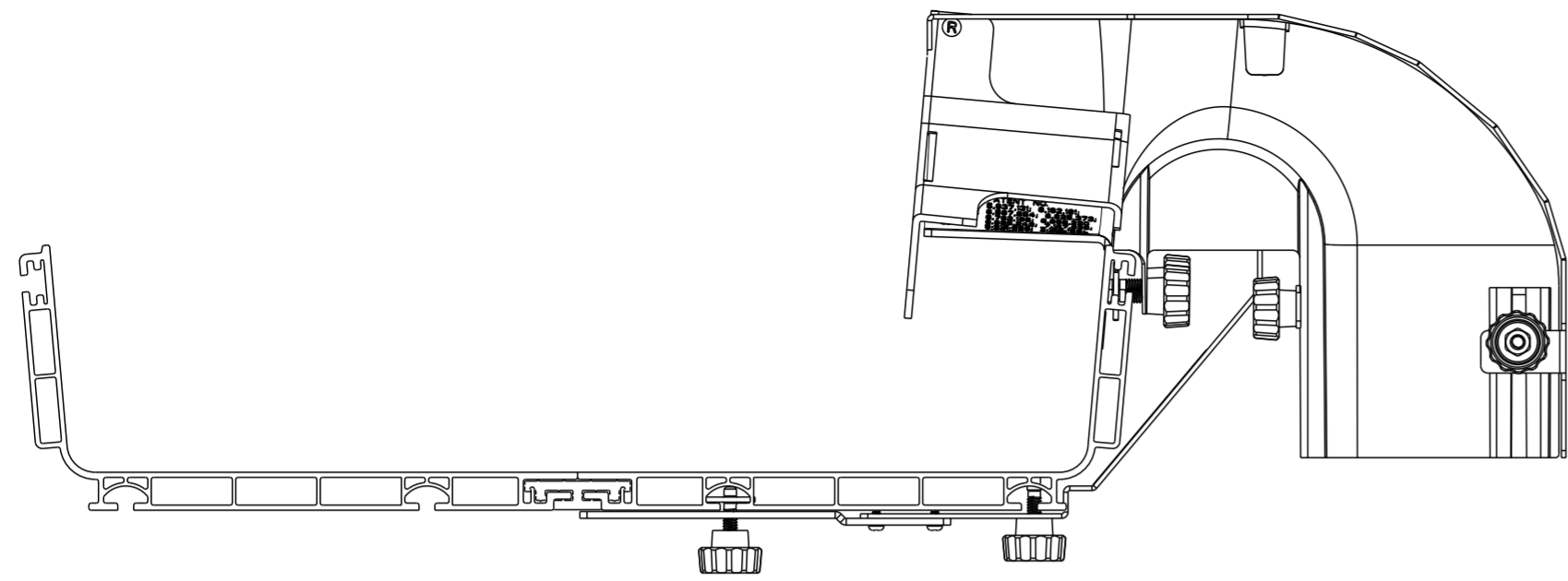
NOTES:

WITH THE INCLUDED #4 HARDWARE (4):

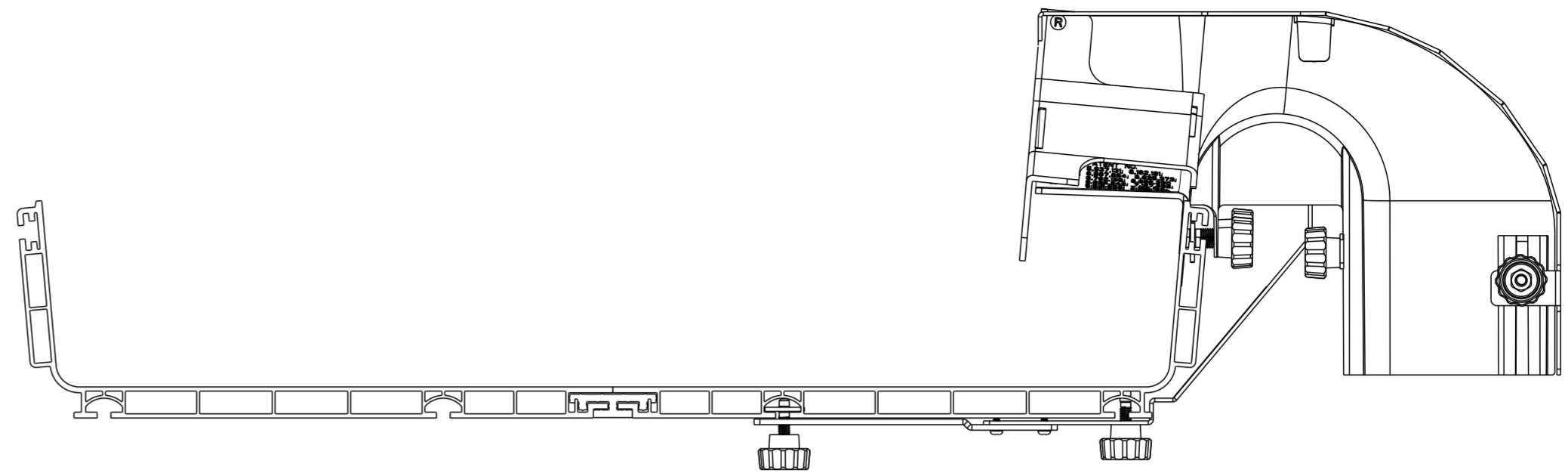
1 ATTACH EXTENSION SUPPORT USING
THE 4 HOLES ON THE CORNERS AS SHOWN.

2 ASSEMBLE EXTENSION SUPPORT USING
THE 4 HOLES FURTHEST FROM BEND AS SHOWN.

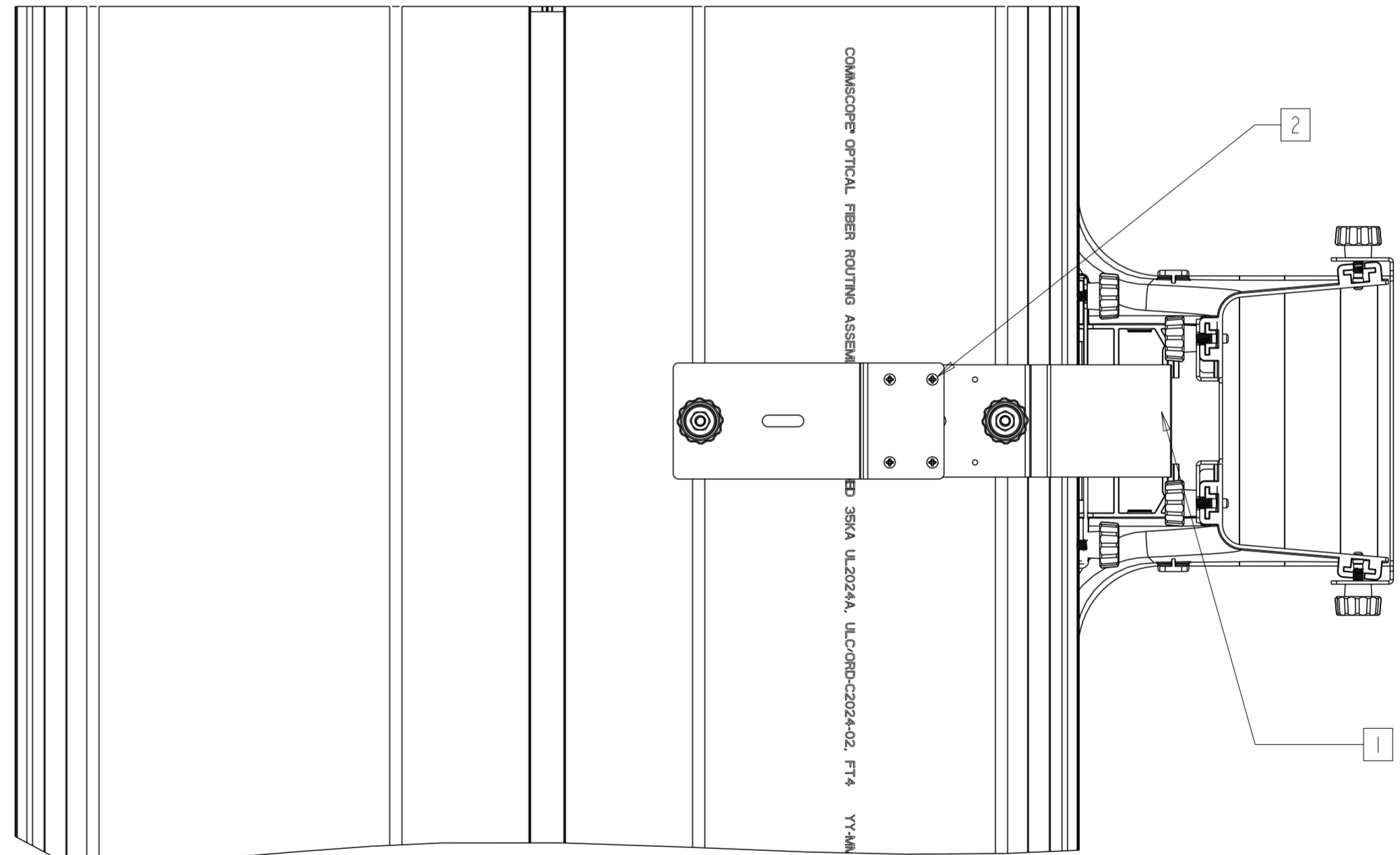
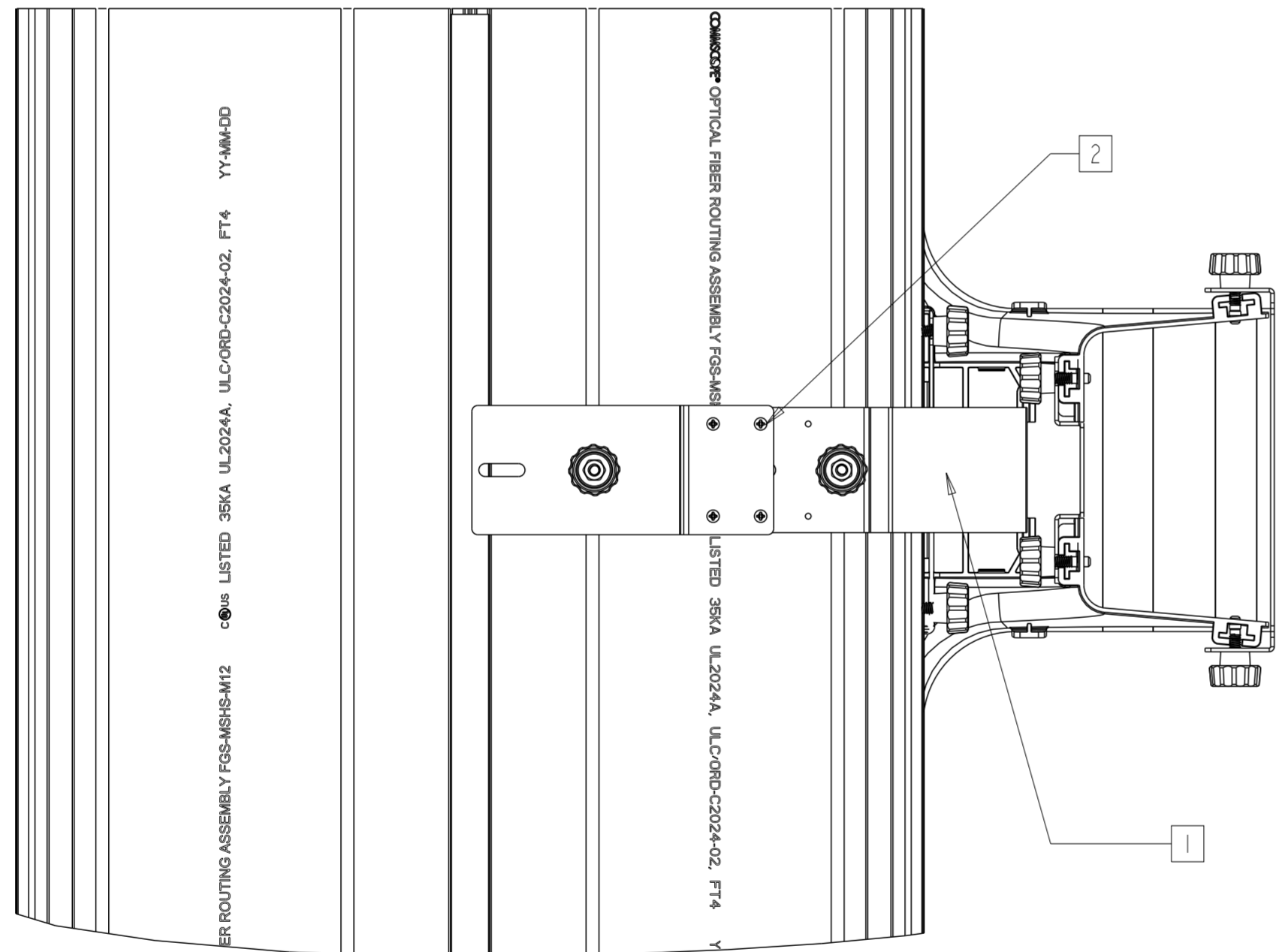
COMMSCOPE, INC.			
DRAFTER JOSE S. LOPEZ		TITLE FGS 4X6 DOWN SPOUT CUST DWG	
ENGINEER RUBEN ARVILLA	SIZE A2	SCALE 0.350	DOCUMENT NO. 1266311_ADC
CUSTOMER DRAWING			REVISION N
			SHEET 3 OF 4



**4X6 EXPRESS EXIT ON
18" TROUGH**
SCALE 0.320



**4X6 EXPRESS EXIT ON
24" TROUGH**
SCALE 0.320



NOTES:

WITH THE INCLUDED #4 HARDWARE (4):

- 1 ATTACH EXTENSION SUPPORT USING THE 4 HOLES ON THE CORNERS AS SHOWN.
- 2 ASSEMBLE EXTENSION SUPPORT USING THE 4 HOLES FURTHEST FROM BEND AS SHOWN.

COMMSCOPE, INC.			
DRAFTER JOSE S. LOPEZ		TITLE FGS 4X6 DOWN SPOUT CUST DWG	
ENGINEER RUBEN ARVILLA	SIZE A2	SCALE 0.400	DOCUMENT NO. 1266311 ADC
CUSTOMER DRAWING			REVISION N
			SHEET 4 OF 4