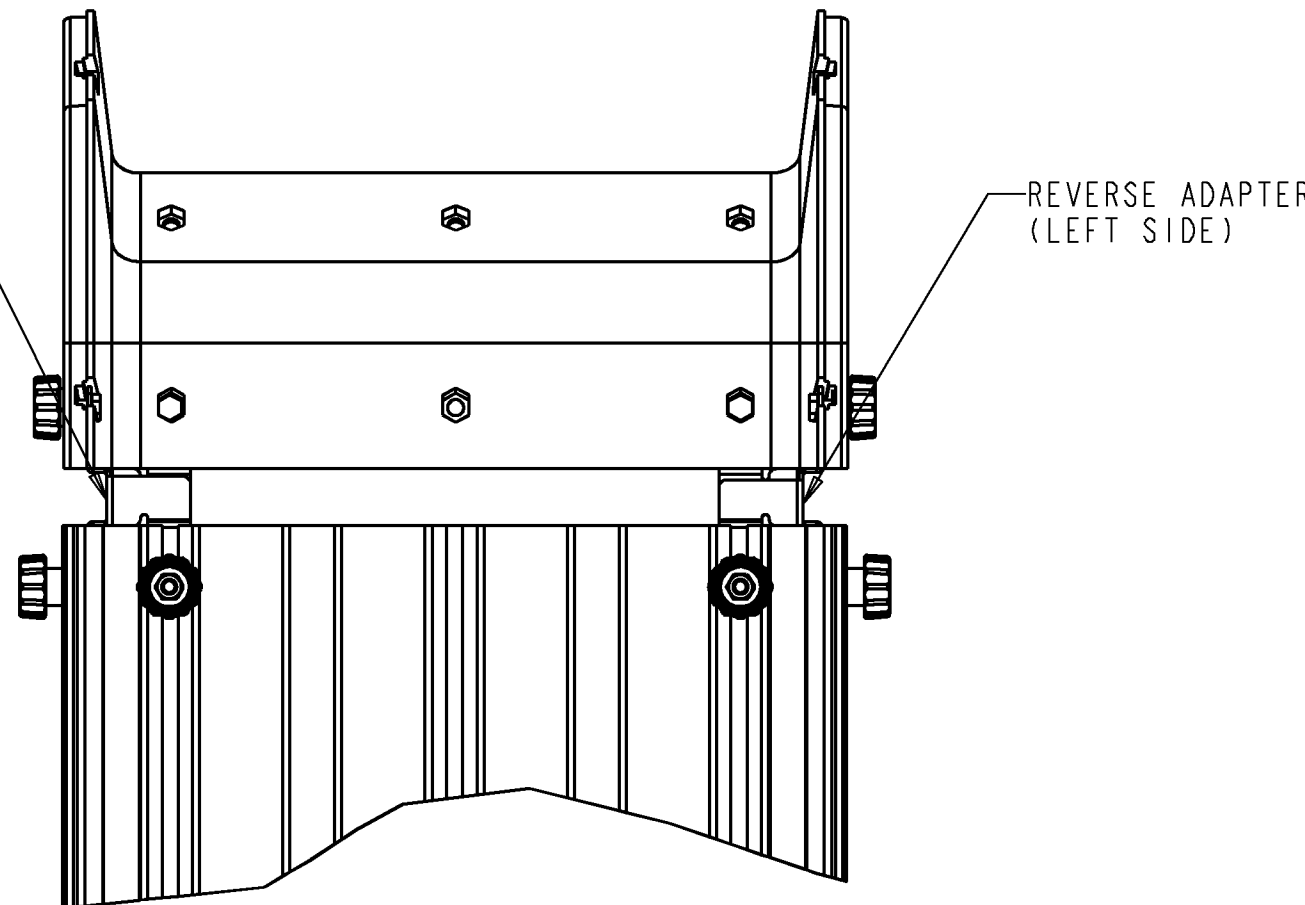
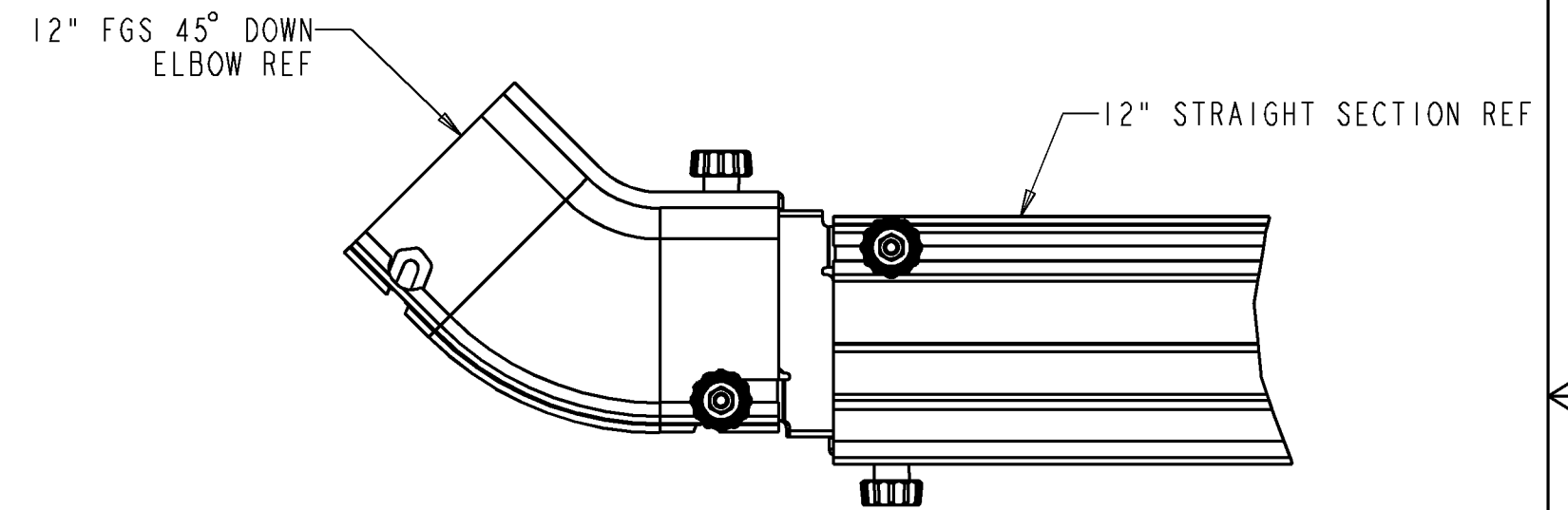
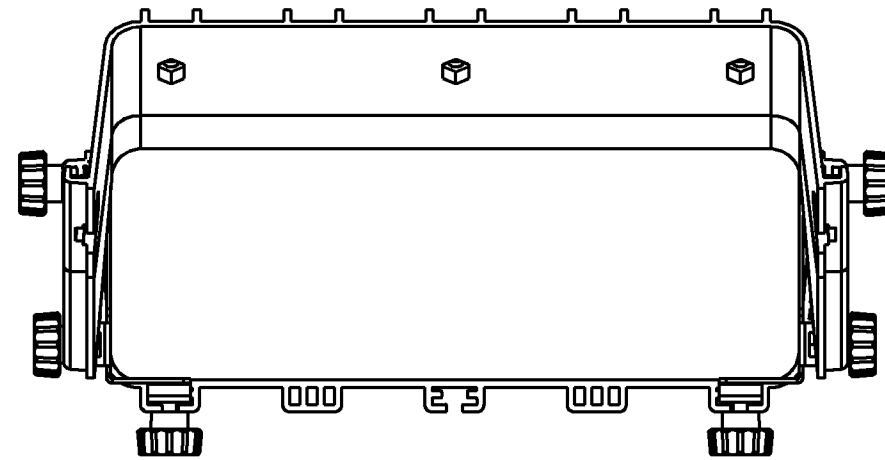
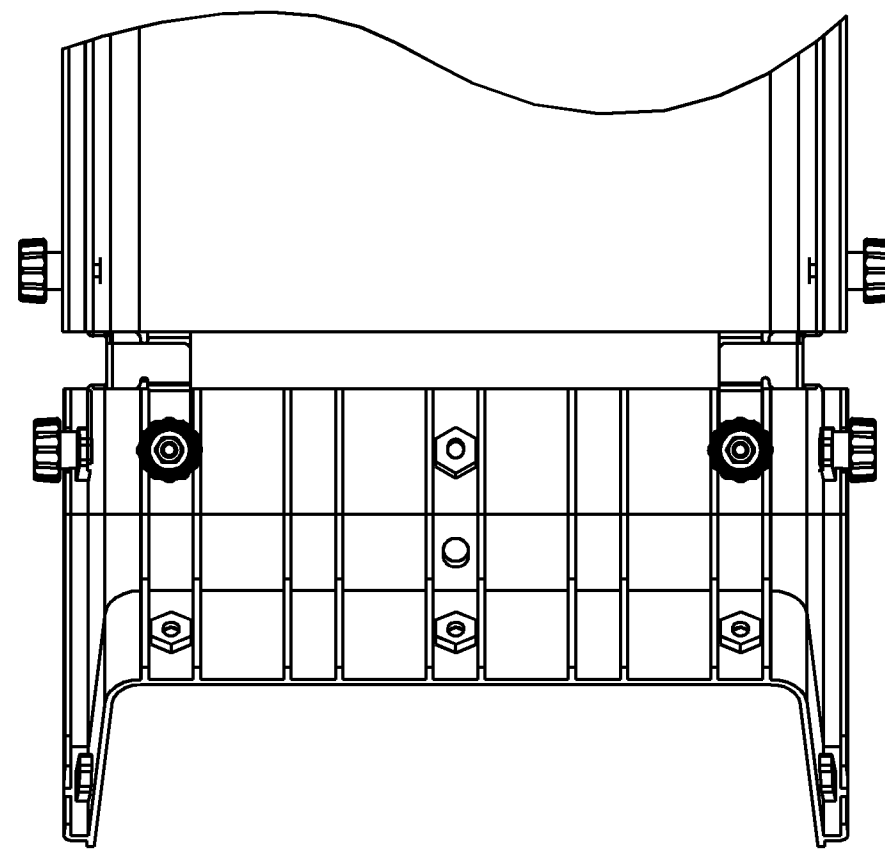


REV	ECO	DWN	DATE
A	20090333	CDZ	04-JUN-01
-	-----	---	-----



NOTES:

1. KIT INCLUDES THE FOLLOWING:

- (1) REVERSE ADAPTER (LEFT)
- (1) REVERSE ADAPTER (RIGHT)
- (8) 1/4-20 HEX BOLTS
- (8) QUICK KNOBS

FOR INSTALLATION OF ADAPTER TO STRAIGHT SECTION:

2. INSERT HEX HEAD CAP SCREW INTO HOLE IN EACH OF THE TABS WHICH ARE TO BE INSERTED INTO THE FGS STRAIGHT SECTION. ENSURE THAT SCREW HEADS ARE ON THE INSIDE OF THE TABS (SEE DETAIL A).
3. INSERT TABS WITH SCREWS INTO THE OUTER T-CANNEL ON THE FGS STRAIGHT SECTION. ENSURE FGS STRAIGHT SECTION IS FULLY INSERTED INTO ADAPTER.
4. ASSEMBLE QUICK KNOBS ONTO HEX CAP SCREWS INSERTED IN THE TABS. TIGHTEN COMPLETELY.

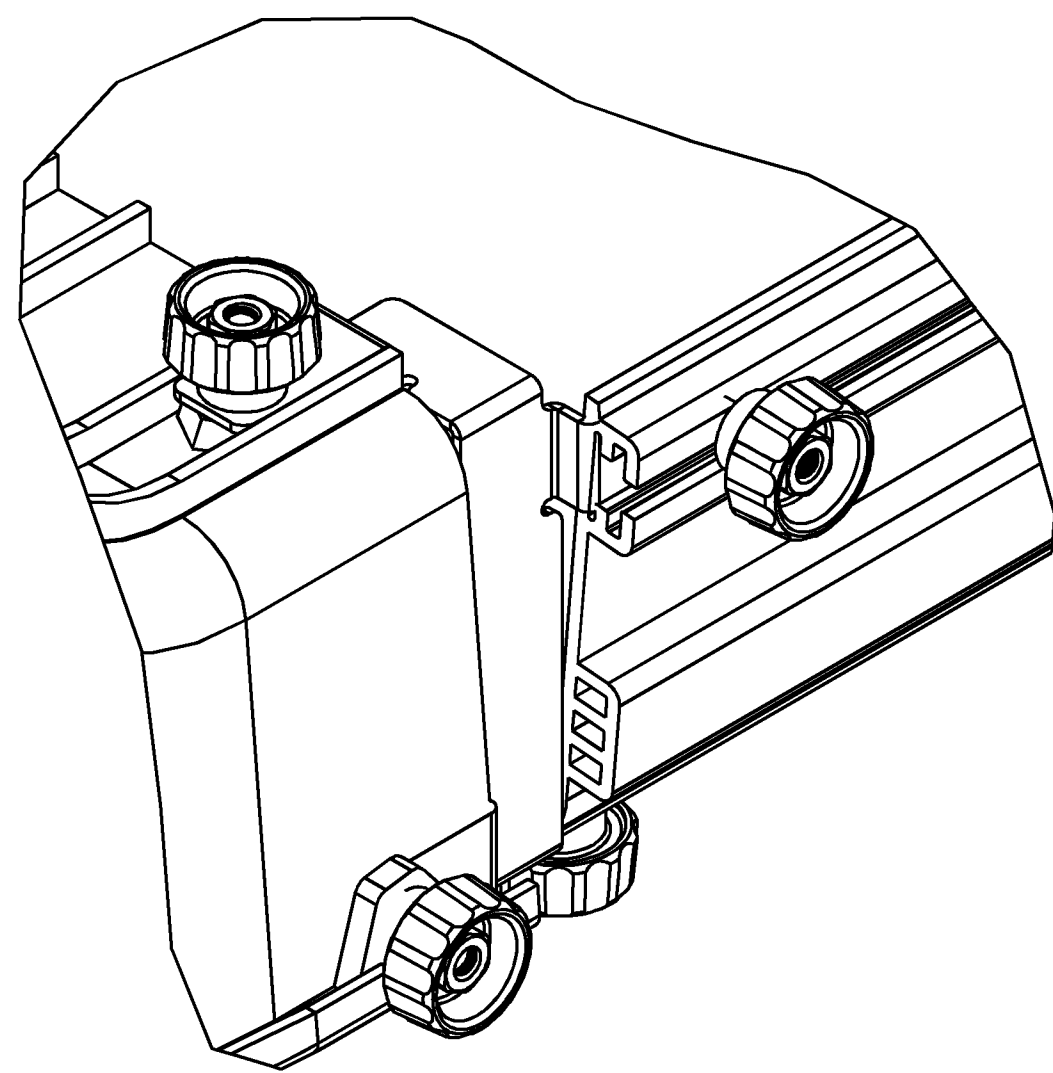
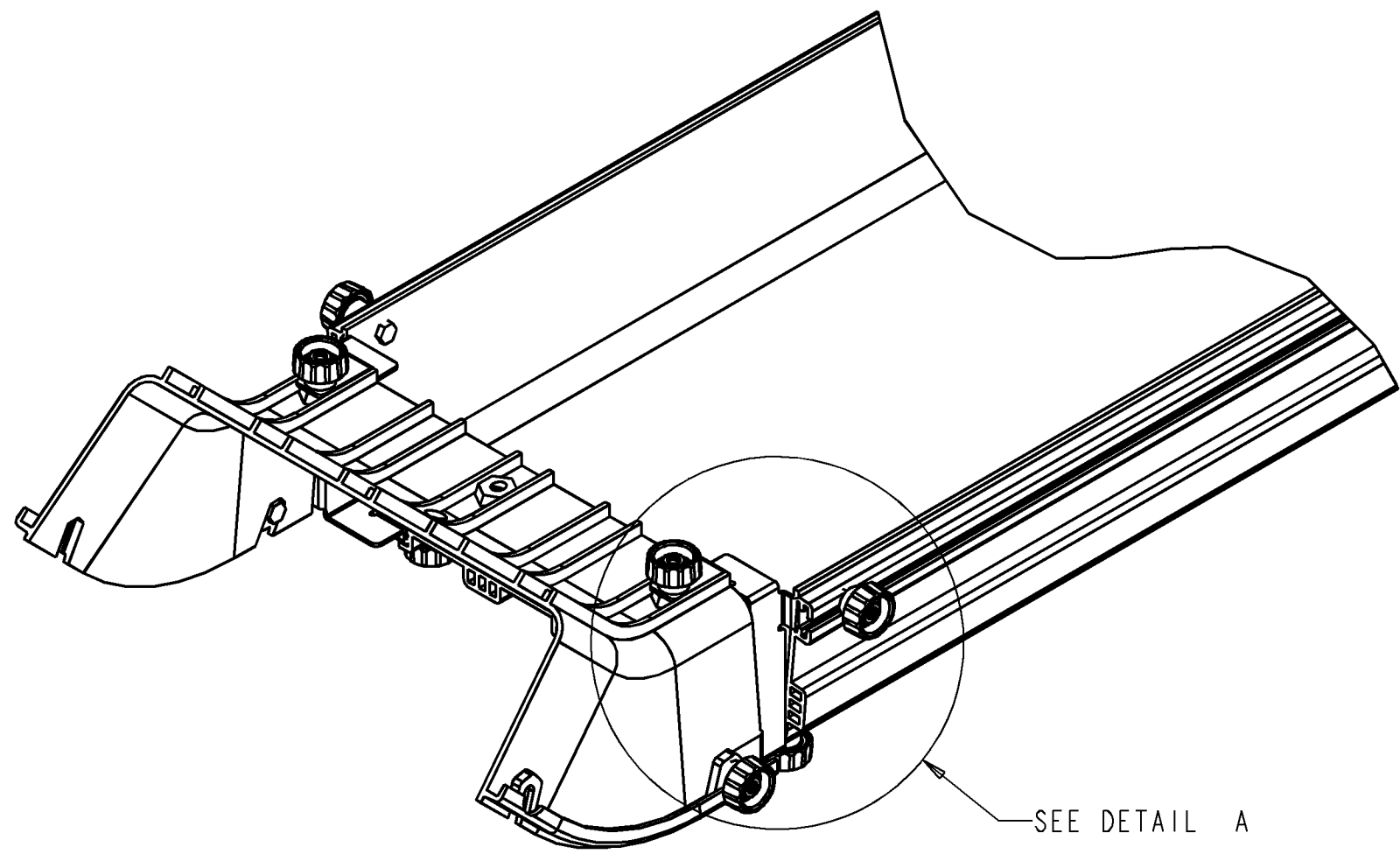
FOR INSTALLATION OF ADAPTER TO FGS FITTING:

5. ALIGN MOLDED HOLES ON FITTING WITH HOLES ON ADAPTER.
6. INSERT HEX HEAD CAP SCREW INTO MOLDED HOLES (FROM INSIDE OF FITTING) AND THROUGH HOLE IN ADAPTER TAB.
7. ASSEMBLE QUICK KNOBS ONTO HEX HEAD CAP SCREWS. TIGHTEN COMPLETELY.

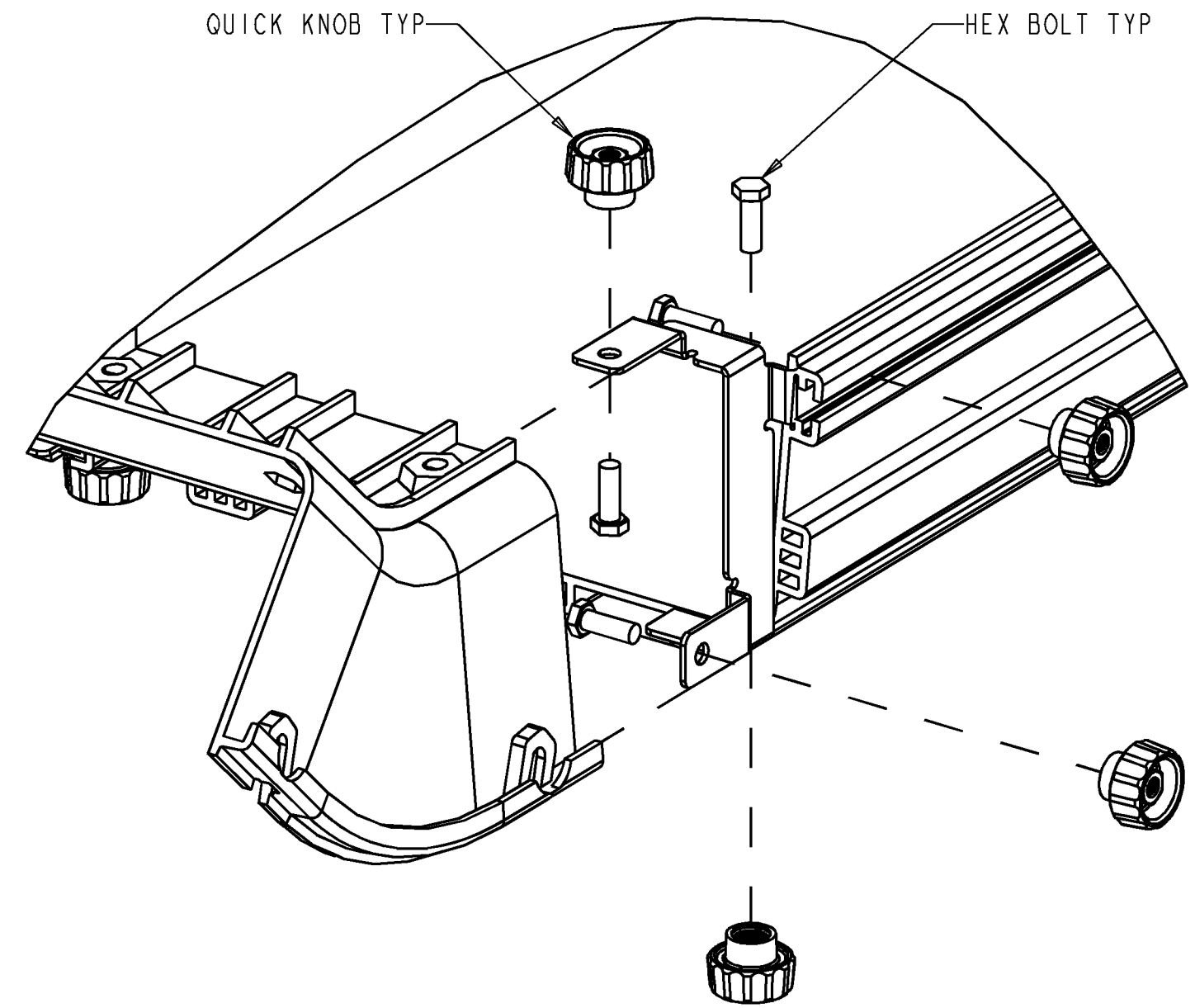
CATALOG NUMBER: FGS-HRJA-A/B/F



INFORMATION ON THIS DOCUMENT IS PROPRIETARY TO ADC AND SHALL NOT BE USED, COPIED, REPRODUCED OR DISCLOSED IN WHOLE OR IN PART WITHOUT WRITTEN CONSENT OF ADC.		TITLE UNIVERSAL 12", 6", 4" REVERSE ADAPTER	
TOLERANCE UNLESS OTHERWISE SPECIFIED	.XX:±xx .XXX:±xxx ANGULAR:±N/A	C SIZE	DRAWING NUMBER 1175172
THIRD ANGLE PROJECTION	DO NOT SCALE DRAWING	ENGR: DEREK DERKS DWN: CRAIG ZELASKO	A REV
SHT. 1 OF 2			



DETAIL A
SCALE 0.75



VIEW B
EXPLODED TO SHOW ASSEMBLY
SCALE 0.500



INFORMATION ON THIS DOCUMENT IS PROPRIETARY TO ADC AND SHALL NOT BE USED, COPIED, REPRODUCED OR DISCLOSED IN WHOLE OR IN PART WITHOUT WRITTEN CONSENT OF ADC.		TITLE UNIVERSAL 12", 6", 4" REVERSE ADAPTER	
ALL DIMS AND TOLERANCES ARE INCHES UNLESS OTHERWISE SPECIFIED	.XX:±xx .XXX:±xxx ANGULAR:±N/A	C SIZE	DRAWING NUMBER 1175172
THIRD ANGLE PROJECTION DO NOT SCALE DRAWING	ENGR: DEREK DERKS DWN: CRAIG ZELASKO	SHT. 2 OF 2	

A
REV