

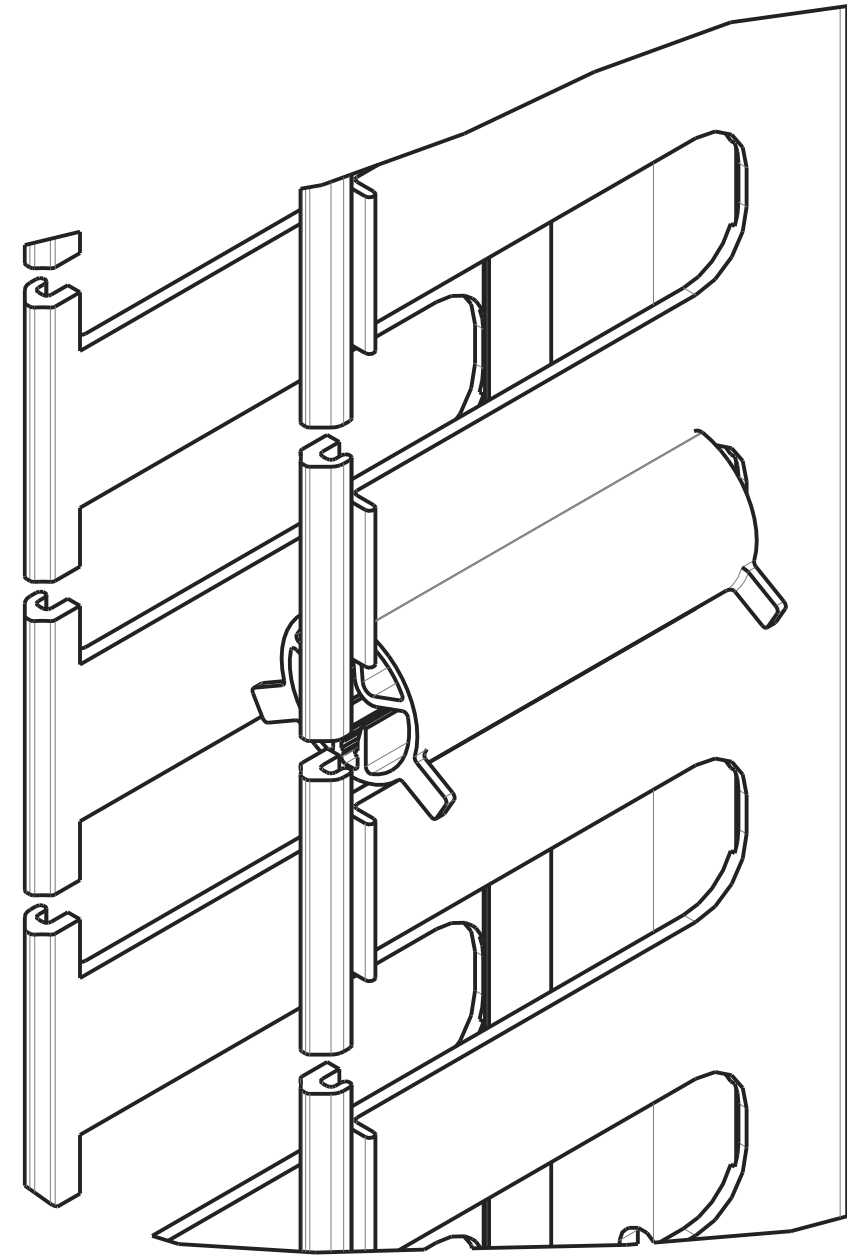
REV	ECN	DWN	DATE
D	8000018631	OAVL	29-DEC-16
E	8000019583	HUH	14-MAR-17

NOTES:

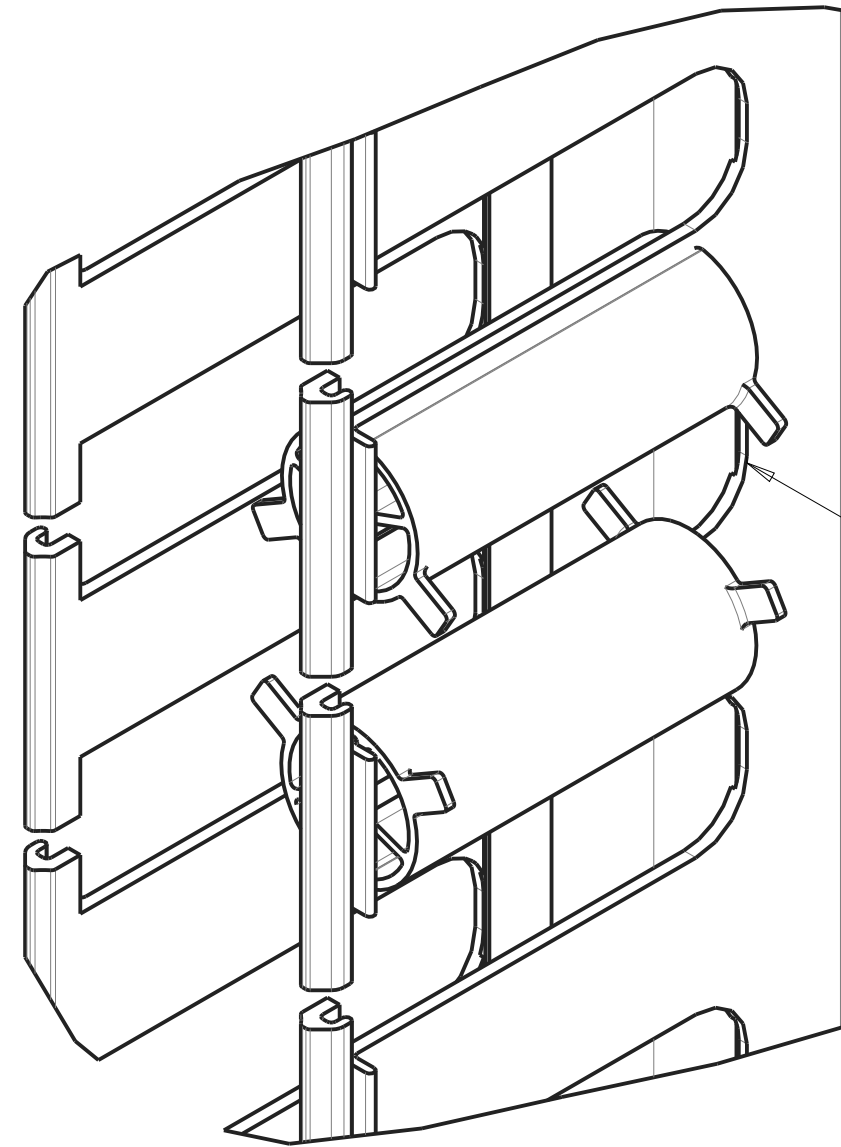
1. SNAP IN THE RADIUS LIMITER INTO THE VFGS FINGER, TOP OR BOTTOM POSITION.
2. SNAP GROMMET INCLUDED WITH THE KIT, TO PROTECT FIBER FROM SHARP EDGES.

LIST OF KIT MATERIALS

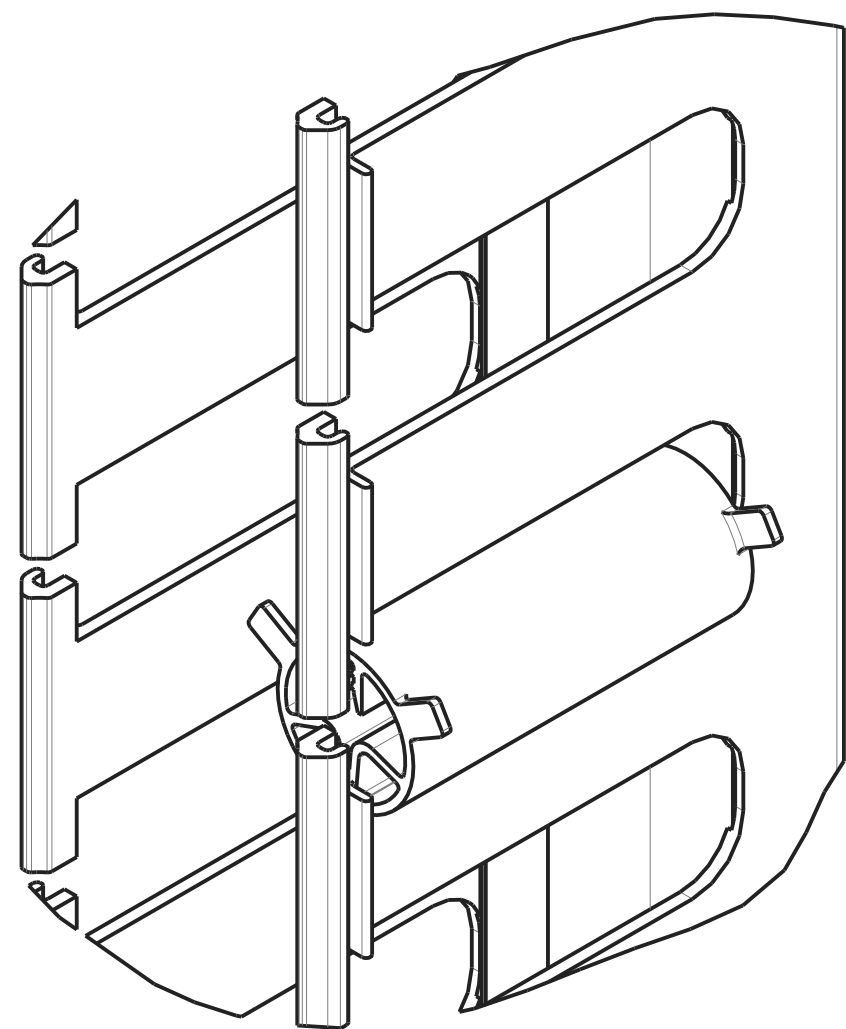
ITEM	DESCRIPTION ITEM	QTY
001	RADIUS LIMITER, LOW PROFILE	2
002	GROMMET BLACK 3/8 DIA, MATERIAL SBR	1FT
003	RETENTION BRK, LOW PROFILE	2



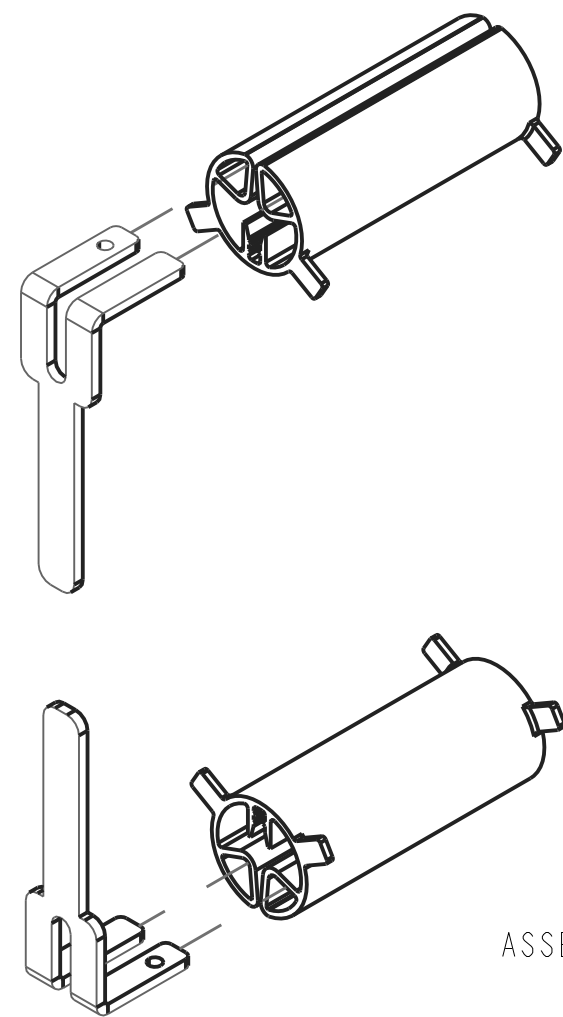
TOP POSITION  
ASSEMBLY  
SCALE 1.000



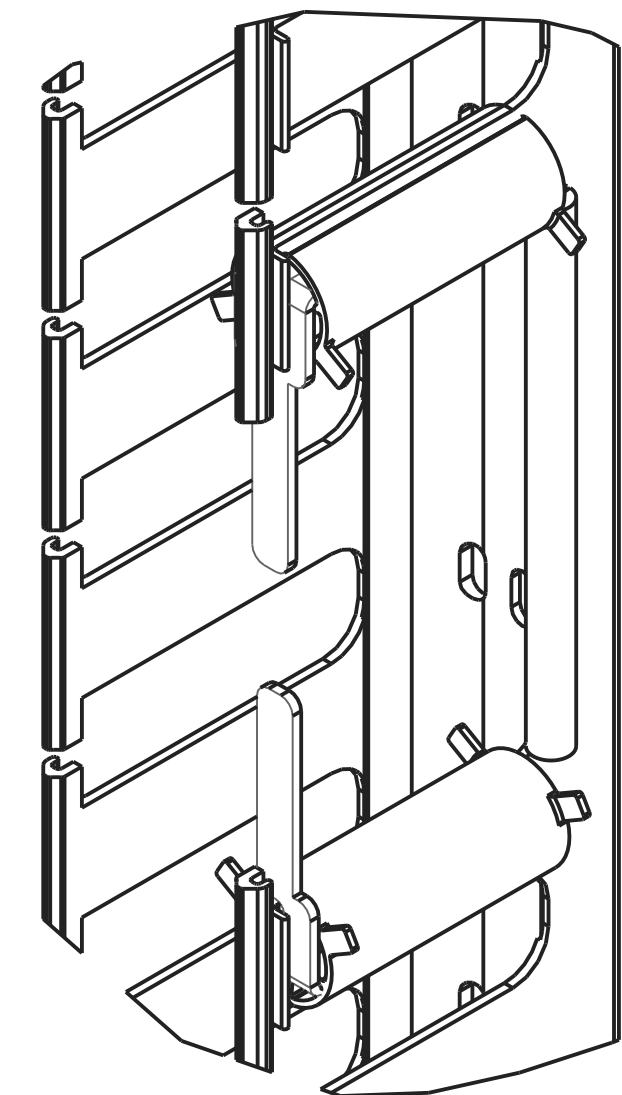
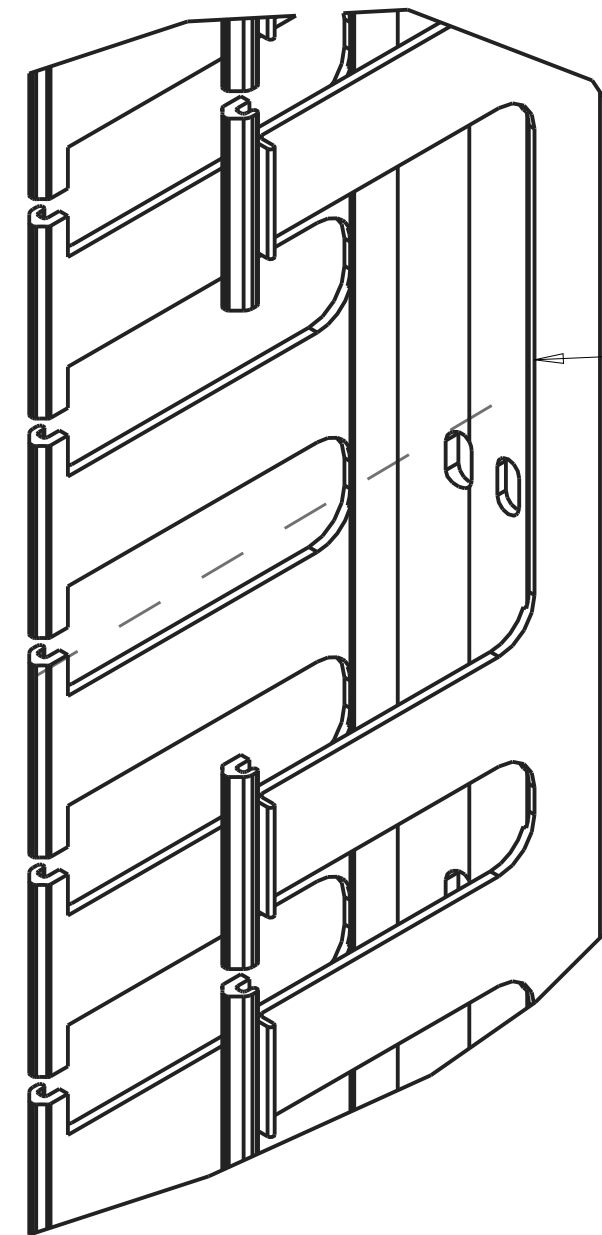
FINAL ASSEMBLY  
SCALE 1.000



BOTTOM POSITION  
ASSEMBLY  
SCALE 1.000



ASSEMBLY WITH RETENTION BRACKET  
SCALE 0.700

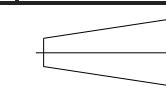
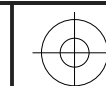


VIEW OF KIT INSTALLED  
SCALE 0.700

COMMSCOPE, INC.

CAT #: FGS-ACC-BRL

© 2016 COMMSCOPE, INC. CONFIDENTIAL NOTICE: THESE DRAWINGS AND SPECIFICATIONS ARE THE PROPRIETARY PROPERTY OF COMMSCOPE, INC. AND MAY BE USED ONLY FOR THE SPECIFIC PURPOSE AUTHORIZED IN WRITING BY COMMSCOPE, INC.		TITLE FGS RADIUS LIMITER KIT INSTALLATION DRW	
ALL DIMS AND TOLERANCES ARE INCHES UNLESS OTHERWISE SPECIFIED	.XX:±REF .XXX:±REF ANGULAR:±REF	C SIZE	DRAWING NUMBER 300001772512
DO NOT SCALE DRAWING	ENGR: ERIK ESTRADA DWN: ERIK ESTRADA	E REV	
		SHT. 1 OF 1	



DIMENSIONS IN INCHES  
THIRD ANGLE PROJECTION